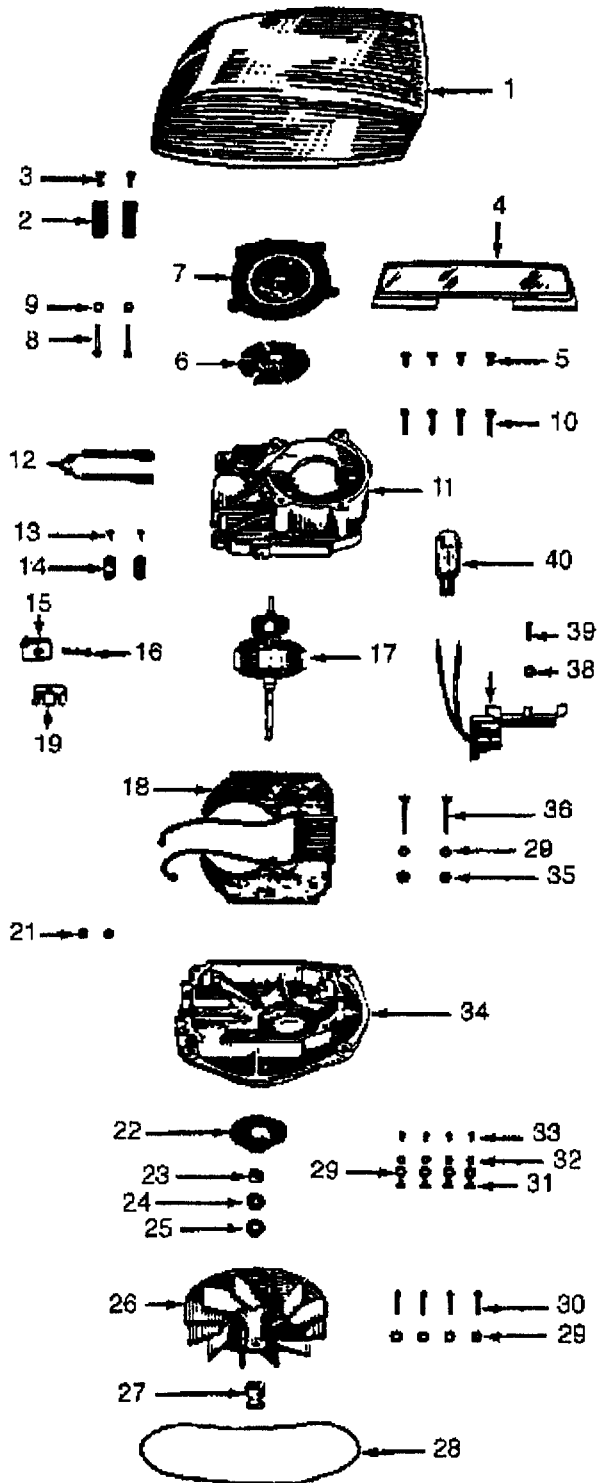


Motor & Fan

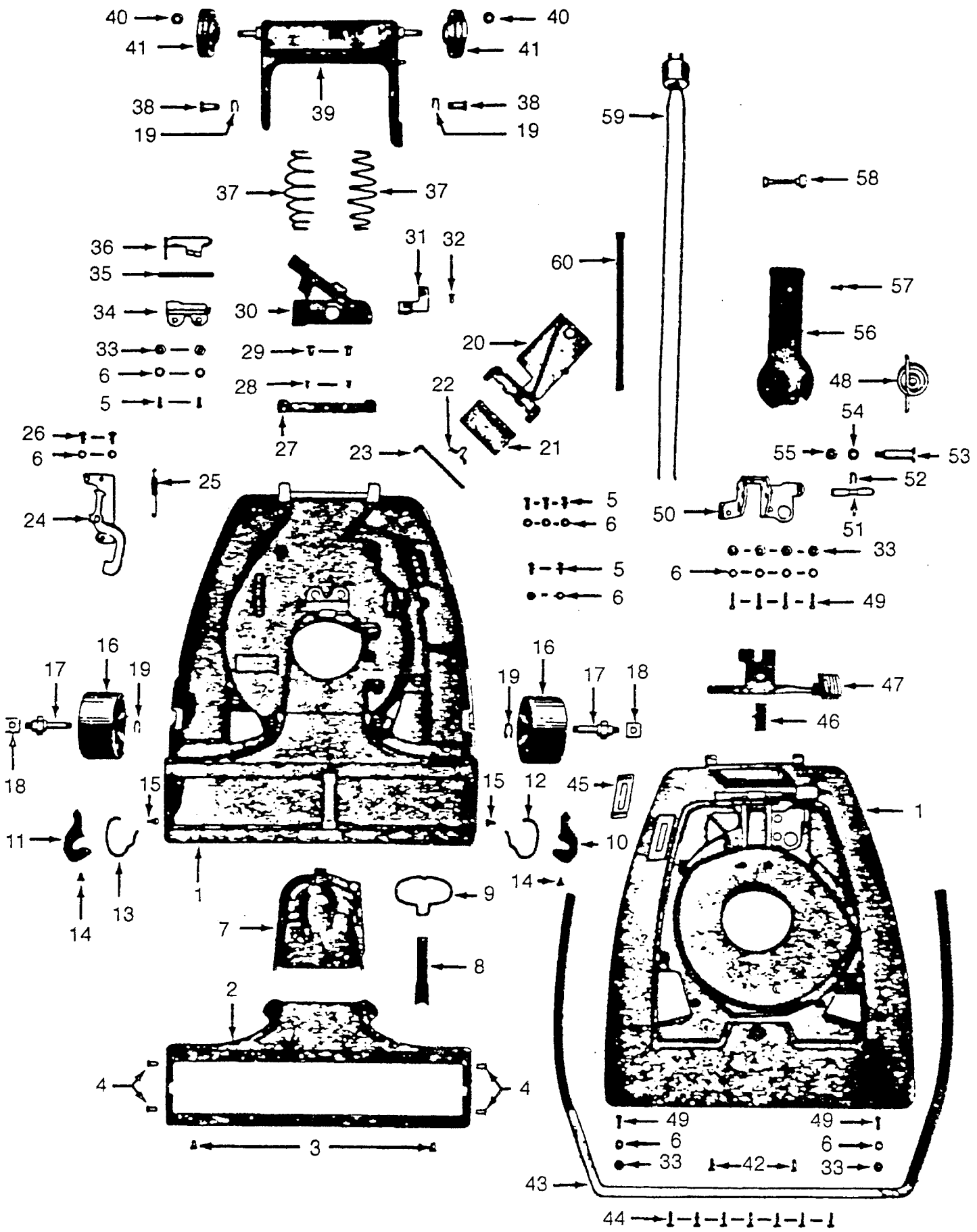
Models 29, 62, 63, 64, 634



Ref. No.	Part No.	Description
1	22984JM	Motor Hood
2	46932	+ Hood Attach Plate
3	12596	* Screw
4	22471CA	+ Dirt Finder Lens
5	44099	+ Screw
6	38755004	Ventilating Fan
7	42934002	Upper Bearing
8	47195	+ Screw
9	14062	* Washer
10	161535	* Screw
11	19857	+ Motor Casing - Upper
12	47318012	Carbon Brush & Spring
13	23369002	+* Screw
14	47275	+* Carbon Brush Retainer
15	36315003	Carbon Brush Insulator
16	46930AZ	+* Screw
17	21653	Armature
18	45412015	Field Coil
19	34035	+ Terminal Box
21	19249	+* Eyelet
22	19829	Motor Bearing - Lower
23	162233	+ Fan Spacer
24	169241AW	* Fan Spacing Washer
25	169241AW	* Fan Spacing Washer
26	21644	Fan
27	33964	+ Fan Pulley
28	45452	Motor Gasket
29	14062	* Washer
30	45355	+ Motor Attaching Screw
31	45251	Nut
32	19772	* Washer
33	21772501	* Lower Bearing Screw
34	10504	Lower Casing
35	15673	* Nut
36	45118	* Field Iron Bolt
37	46942	+ Dirt Finder Socket
38	19772	* Washer
39	17206	* Screw
40	42241	Dirt Finder Lamp - 25 Watt

Main Casting

Models 29, 62, 63, 64, 634

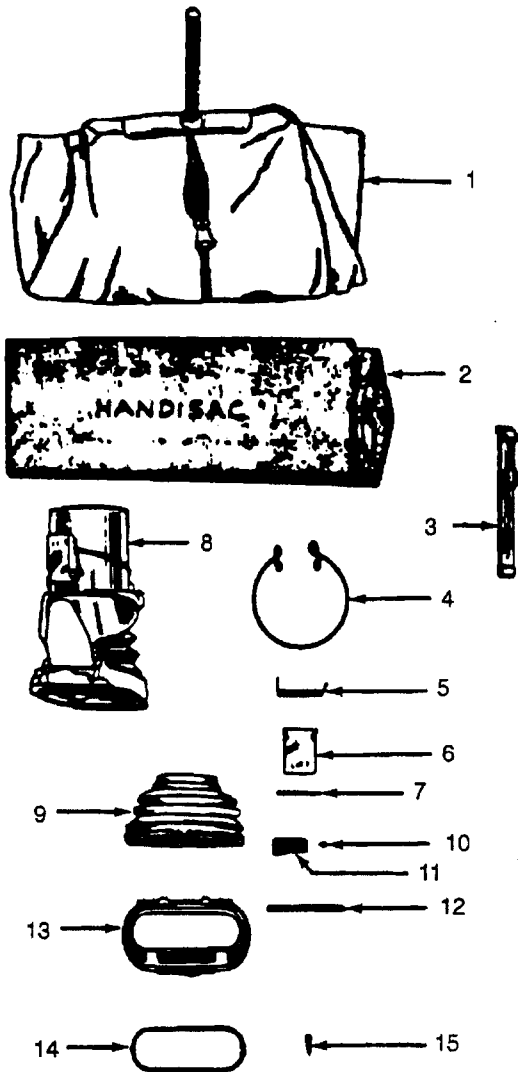


Main Casting

Models 29, 62, 63, 64, 634

Ref. No.	Part No.	Description
1	48293	+ Main Casting
2	32965	+ Cleaner Bottom Plate
3	19240	+* Rivet - Front
4	19251	+ Rivet - Side
5	161863	+* Screw
6	14062	* Washer
7	32769	+ Pulley Cover
8	32731	+ Belt Guard
9	45175	+ Belt Guard Spring
10	32695	+ Agitator Clamp Lever - R.H.
11	32696	+ Agitator Clamp Lever - L.H.
12	32712	+ Agitator Support Clamp Lever Spring - R.H.
13	32713	+ Agitator Support Clamp Lever Spring - L.H.
14	45218	+ Rivet
15	45219	+* Rivet
16	38522028	+ Front Wheel
17	45146	+ Front Wheel Shaft
18	162237	+* Front Wheel Nut
19	17207AZ	* Lock Ring
20	21651	+ Connector Housing
21	45190	+ Connector Valve
22	45191	Valve Spring
23	16226	+ Valve Shaft
24	34053	+ Nozzle Adj. Lever
25	46931	+ Spring
26	45593	+ Screw
27	32759	Bag Flange Support
28	51277	+* Rivet
29	45304	+ Rivet
30	45306	+ Latch Support & Lever Assem.

Ref. No.	Part No.	Description
31	45978	+ Spring
32	45305	+ Rivet
33	15673	* Nut
34	42728	+ Latch Housing
35	19745	+* Latch Spring
36	32666	+ Pulley Cover Latch
37	45166	+ Rear Wheel Support Spring
38	45165	+ Rear Wheel Support Shaft
39	47374	+ Rear Wheel Support
40	17207AZ	* Lock Ring
41	38521041	Rear Wheel
42	19240	+* Furniture Guard Rivet - Front
43	22983JM	+ Furniture Guard
44	12997AW	* Furniture Guard Rivet - 63
45	22982	+ Nozzle Adj. Indicator Plate
46	12559FW	Handle Control Lever Spring
47	34896A	+ Handle Control Lever
48	32045	+ Handle Support Spring
49	45355	+ Screw
50	22456JM	+ Handle Support Bracket
51	44752	+ Handle Control Lever Pin
52	45441	+* Retainer
53	44751AY	+ Handle Support Shaft
54	162186	+ Lock Washer
55	162280	+ Nut
56	34894JM	+ Handle Control Socket
57	44792	+ Handle Socket Plug Screw
58	48294AW	Handle Bolt Assem.
59	47076	+ Handle Socket Plug
60	46920AZ	+ Motor Lead Spring

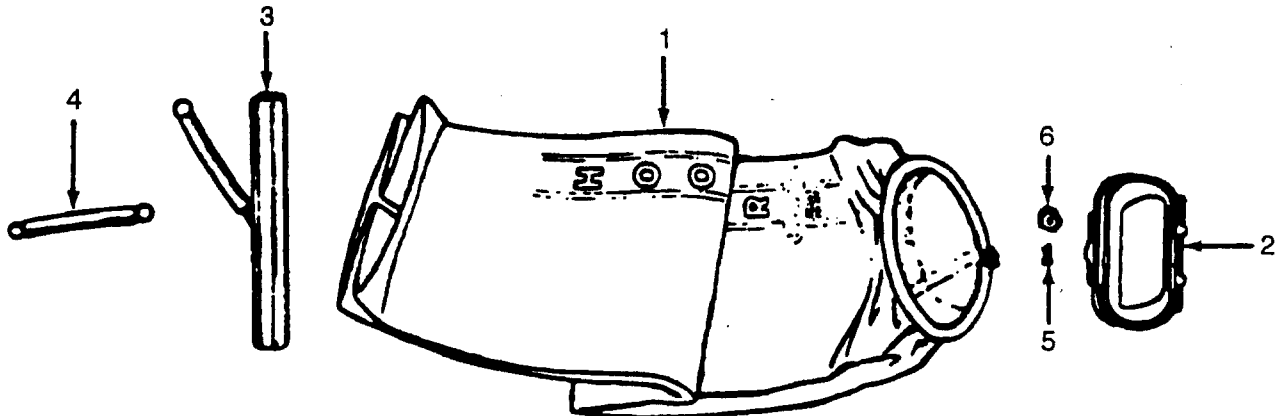


Model 62

Ref. No.	Part No.	Description
1	1526JM	+ Outer Bag Comp.
1	22476R	+ Outer Bag - Cloth
2	4010013W	+ Handisac (4-Pk.)
3	46119 AY	+ Closure Clip
4	21735	+ Clamp Spring
5	45216	+ Spring
6	45378	+ Latch
7	162273	+ Latch Pin
8	22464	+ Handisac Mounting Assem.
9	10540	+ Bellow
10	162232	+* Rivet
11	45377	+ Spring Retainer
12	162272	+ Shaft
13	22987	+ Bag Ring
14	45376	Bellow Retainer
15	21765159	Screw

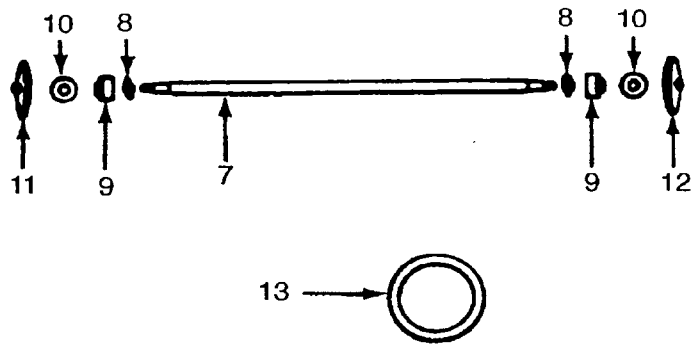
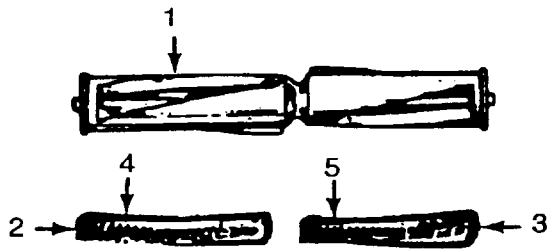
MODEL 29

1	22030	+ Outer Bag - Cloth
2	45404	+ Bag Ring
3	43362	+ Clip & Spring
4	42990	Spring
5	21765159	Screw
6	15854 EF	* Nut



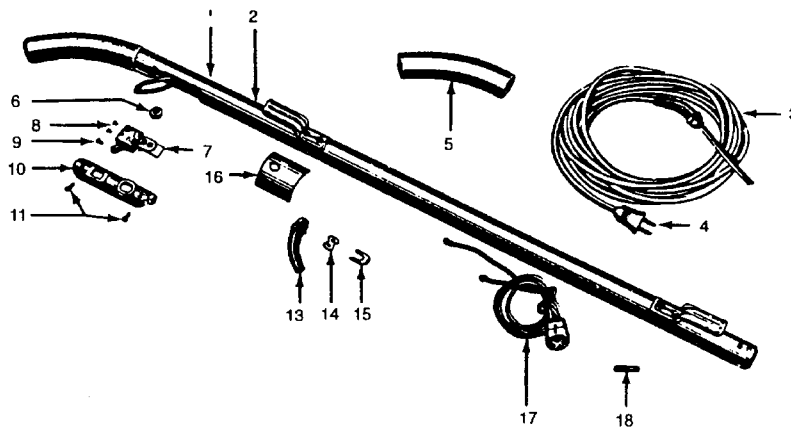
Agitator & Handle

Models 29, 62, 63, 64, 634



Ref. No.	Part No.	Description
1	46849	+ Agitator - Less Brushes
2	86679	+ Agitator Brush - Long
3	86680	Agitator Brush - Short
4	47159	Agitator Brush - Long - Nylon
5	47160	Agitator Brush - Short - Nylon
6	46875	* Screw
7	45141	+ Agitator Shaft
8	21347003	* Thrust Washer
9	12978	Agitator Bearing

Ref. No.	Part No.	Description
10	13010	* Felt Washer
11	45135AY	Thread Guard - L.H.
12	45134AY	Thread Guard - R.H.
13	49258AG	Belt
	33451	+ Agitator Brush - Long - Horse Hair 62, 63, 64
	33452	+ Agitator Brush - Short - Horse Hair 62, 63, 64



Ref. No.	Part No.	Description
1	22985JM	+ Handle Comp.
2	48259JM	+ Handle Shell
3	46363195	Cord
4	35380	Plug
5	12230JM	+ Handle Grip
6	13008	Switch Pad
7	12971	Switch
8	161994	+* Screw - Small

Ref. No.	Part No.	Description
9	23369002	Screw - Long
10	23138AW	Switch Cover Plate
11	21465314	Screw
13	31969AG	Cord Protector
14	18676	Cord Retainer Lock
15	36171043	Cord Protector Retainer
16	12272	+ Insulator Sleeve
17	31657HE	+ Plug & Lead Wire
18	37088	Pin