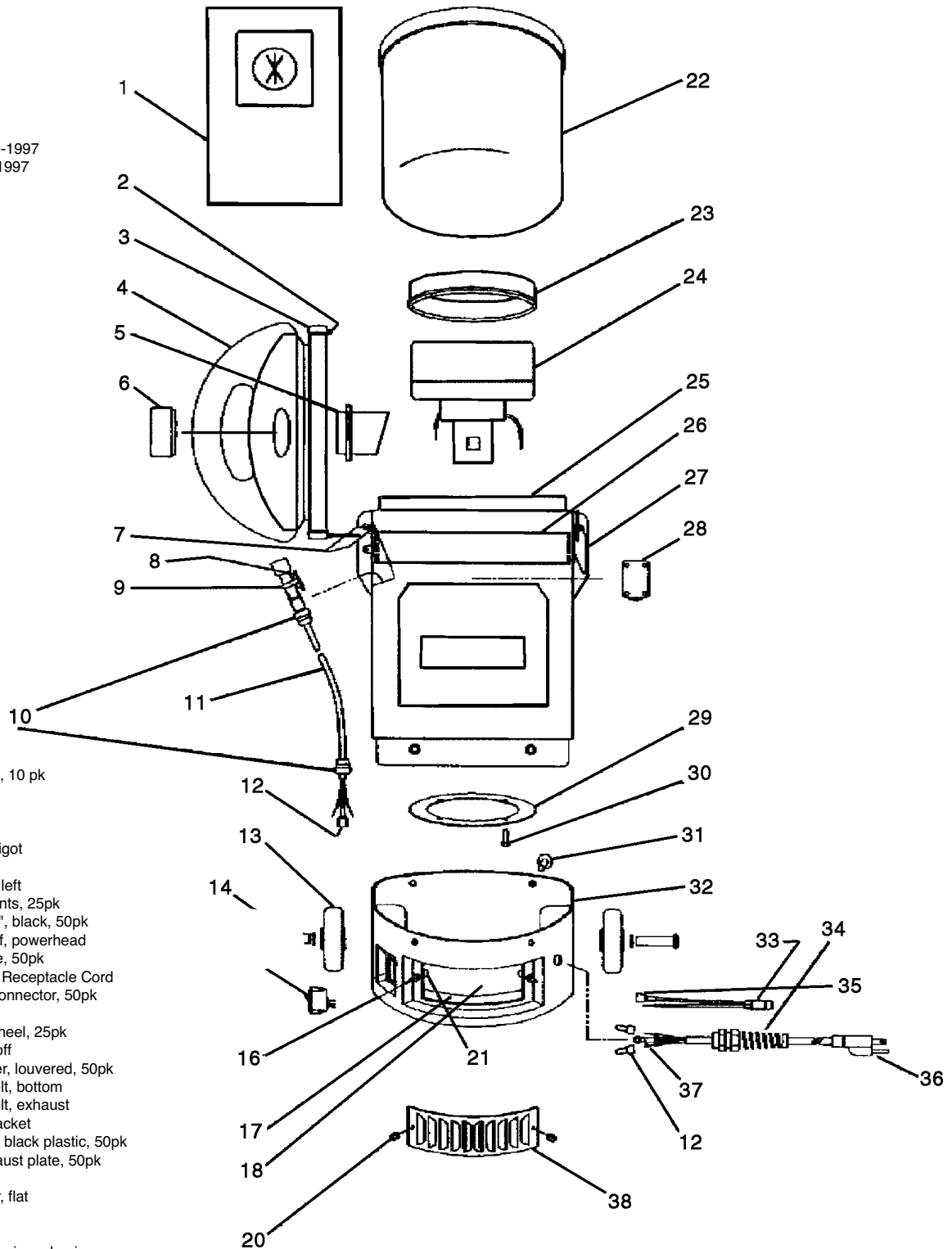


Model: LI'L HUMMER

HARNESSES

- HAR-145 For BackPack, pre-1997
- HAR-145C For Hummer, pre-1997
- HAR-101 For post-1997



- 1 COM-00272 Paper Bags, 10 pk
- 2 HAR-140 Right Strike
- 3 HAR-141 Bumper
- 4 HAR-105 Lid
- 5 HAR-272 Flanged Spigot
- 6 HAR-143 Lid Insert
- 7 HAR-116 Latch Assy, left
- 8 HAR-398 Cradle Mounts, 25pk
- 9 HAR-181 cable Tie, 8", black, 50pk
- 10 HAR-190 Strain Relief, powerhead receptacle, 50pk
- 11 HAR-150 Powerhead Receptacle Cord
- 12 HAR-2988 Crimp-on Connector, 50pk
- 13 HAR-123 Wheel, rear
- 14 HAR-122 Bolt, rear wheel, 25pk
- 15 HAR-137 Switch, on/off
- 16 HAR-132 Plate Spacer, louvered, 50pk
- 17 HAR-600 Insulator Felt, bottom
- 18 HAR-500 Insulator Felt, exhaust
HAR-010 Exhaust Bracket
- 20 HAR-139 Thumb Nut, black plastic, 50pk
- 21 HAR-126 Screw, exhaust plate, 50pk
- 22 HAR-120 Cloth Bag
- 23 HAR-230 Filter, motor, flat
- 24 HAR-210052 Motor Assy
- 25 HAR-103 Housing
- 26 HAR-099 Bracket, housing, aluminum
- 27 HAR-114 Latch, right
- 28 HAR-127 Caster, front
- 29 HAR-274 Motor Plate
- 30 HAR-125 Screw, motor, 50pk
- 31 HAR-138 Bolt, end cap, 50pk
- 32 HAR-104 End Cap

- 33 HAR-320 Thermal Protector
- 34 HAR-267 Strain Relief, spring type
- 35 HAR-450 Slide Connector, 25pk
- 36 HAR-315S Stub Cord, black
- 37 HAR-451 Ground Eye, 50pk
- 38 HAR-107 Exhaust Cover Plate, louvered

- HAR-115 Left Strike
- HAR-150A Powerhead Receptacle Kit,
cord, cradle mount, tie & strain
- HAR-172 Cord Holder, buckle style
- HAR-413 Cord Holder, velcro
- HAR-315 extension Cord, 50', 16/3, orange