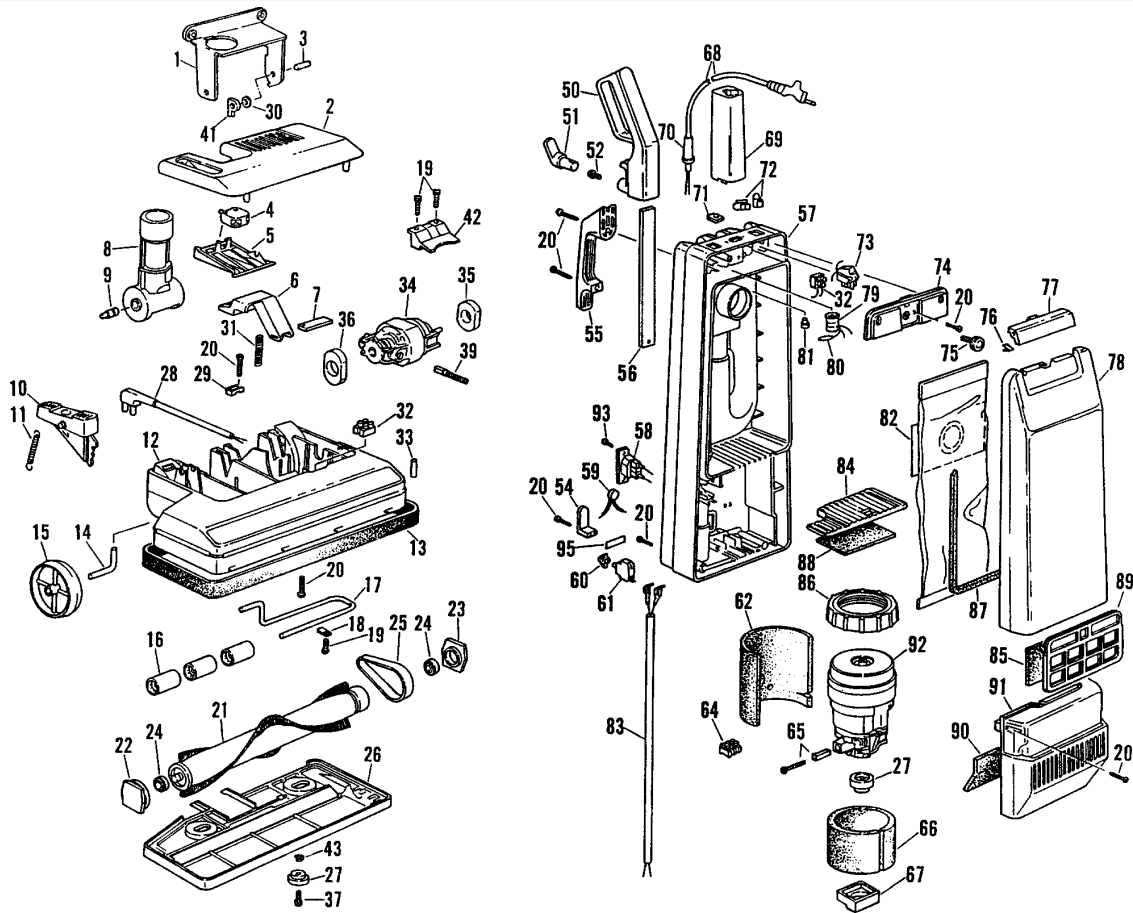


FILTER QUEEN

Model: HM2000 Princess Upright



- | | | |
|--|---|---|
| 1 FQ-230562..... Mounting Bracket | 33 FQ-0005148 Pin | 73 FQ-2303266 Switch |
| 2 FQ-233072 Hood | 34 FQ-2330500 Motor | 74 FQ-2330261 Cover Plate |
| 3 FQ-0005161 Pin | 35 FQ-3306503 Motor Support | 75 FQ-2303050 Hand Screw |
| 4 FQ-4250093 Switch | 36 FQ-3306502 Motor Support | 76 FQ-2305243 Spring |
| 5 FQ-3305061 Switch Insert | 37 FQ-3314068 Screw, bottom plate | 77 FQ-2330242 Latch, housing |
| 6 FQ-3305064 Adjusting Lever | 39 FQ-3306506 Carbon Brush | 78 FQ-2330240 Front Housing |
| 7 FQ-3305065 Rail Stop | 40 FQ-3211892 Cap, carbon brush | 79 FQ-2330267 Indicator Light |
| 8 FQ-3305190 Pivot Neck | 41 FQ-3305078 Stop Bracket | 80 FQ-3312267 Cord Tube |
| 9 FQ-3305075 Pivot Pin | 42 FQ-2314062 Support Bracket | 81 FQ-0003308 Rivet |
| 10 FQ-3314066 Pedal Lever | 43 FQ-3305104 Pin, latch | 82 FQ-GRPL2047 Bags, 6 pk |
| 11 FQ-3305076 Spring | 50 FQ-2303301 Handle | 83 FQ-2330330 Connecting Cable |
| 12 FQ-2330100 Housing | 51 FQ-2303302 Cord Hook | 84 FQ-2305272 Filter Holder |
| 13 FQ-3302102 Bumper | 52 FQ-0004650 Screw | 85 FQ-2305275 Exhaust Filter |
| 14 FQ-3305071 Axle, wheel | 54 FQ-2303257 Accessory Holder | 86 FQ-2330254 Gasket, motor |
| 15 FQ-4200066 Wheel | 55 FQ-2330255 Carrying Handle | 87 FQ-2305244 Gasket, housing |
| 16 FQ-3305068 Roller | 56 FQ-2303310 Support Tube | 88 FQ-2305273 Secondary Filter |
| 17 FQ-3305067 Shaft, roller | 57 FQ-2330280 Housing, rear | 89 FQ-2305274 Filter Holder |
| 18 FQ-3305069 Tension Plate | 58 FQ-2330330 Nozzle Socket | 90 FQ-3312264 Foam Filter |
| 19 FQ-3211868 Screw | 59 FQ-2305268 Thermo Cut-Off | 91 FQ-2330252 Lower Housing |
| 20 FQ-6209018 Screw | 60 FQ-3312262 Switch Cap | 92 FQ-2330600 Motor |
| 21 FQ-3301170 Revolving Brush | 61 FQ-3312261 Switch | 93 FQ-0003051 Screw, outlet |
| 22 FQ-3305140 Bearing Holder | 62 FQ-2305259 Foam Insert | FQ-2303860 Hose |
| 23 FQ-3305131 Bearing Holder | 63 FQ-3614247 Capacitor | FQ-3302362 Hose Swivel |
| 24 FQ-0005551 Bearing | 64 FQ-8600087 Terminal Block | FQ-3312352 Spring Ring |
| 25 FQ-3305073 Belt | 65 FQ-3362606 Carbon Brush | FQ-2303351 Hose End |
| 26 FQ-2330150 Bottom Plate | 66 FQ-2330603 Noise Reducer, foam | FQ-2303352 Spring Ring |
| 27 FQ-3305103 Latch | 67 FQ-2330257 Motor Support | FQ-2303370 Hose End |
| 28 FQ-2330062 Nozzle Cord | 68 FQ-3204102 Power Cord | FQ-2303372 Suction Regulator |
| 29 FQ-3500017 Clamp, cord | 69 FQ-2303256 Lower Handle Housing | FQ-2303841 Wand |
| 30 FQ-3305077 Washer | 70 FQ-2305269 Cord Sleeve | FQ-2303851 Crevice Tool |
| 31 FQ-3101096 Spring | 71 FQ-3208173 Full Bag, cover | FQ-2107852 Upholstery Nozzle |
| 32 FQ-0100611 Terminal | 72 FQ-2303254 Clip | FQ-2107890 Dust Brush |