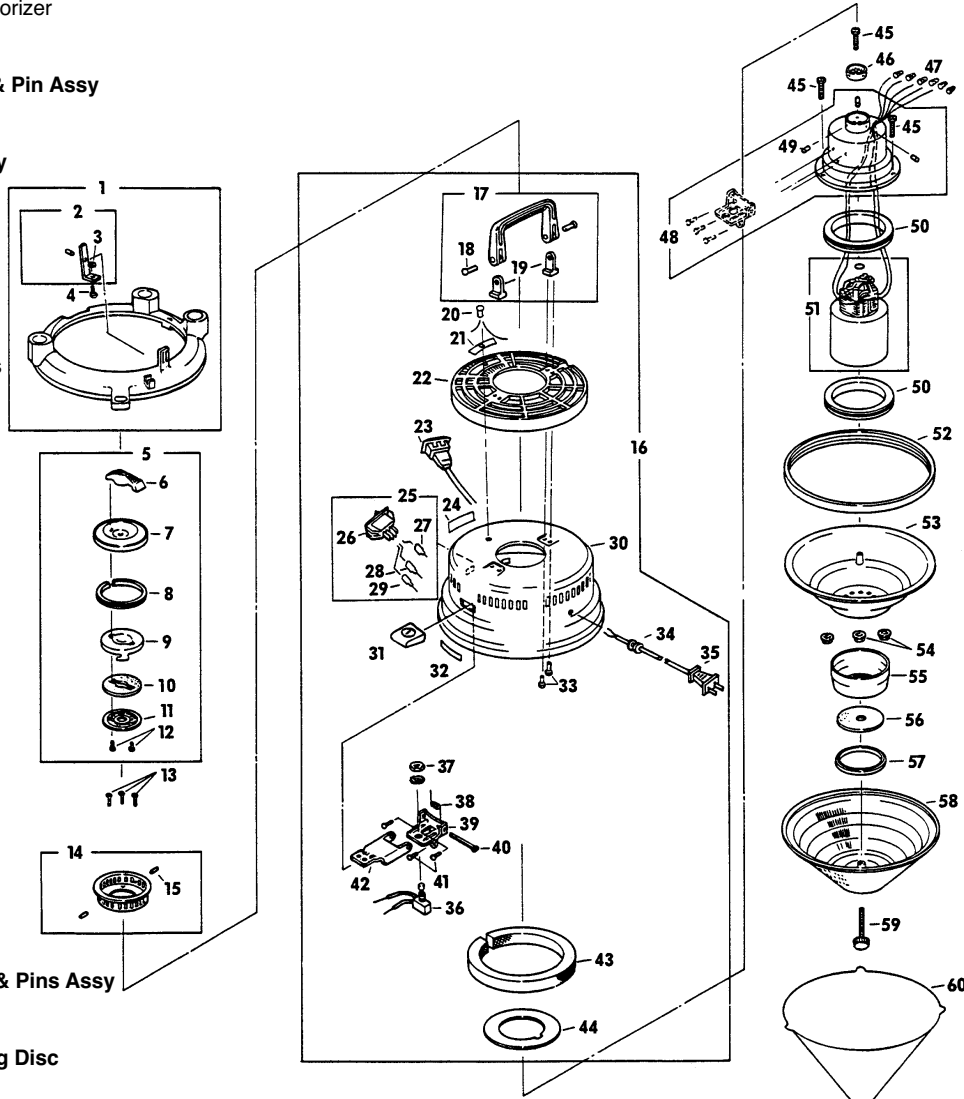


FILTER QUEEN

Model: 99, 99A

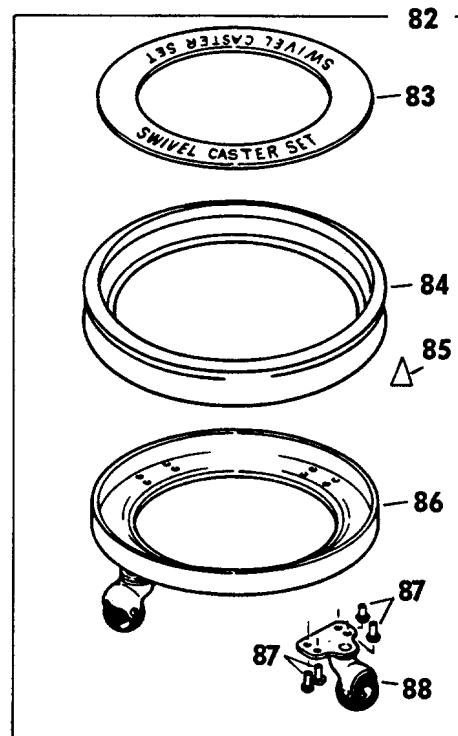
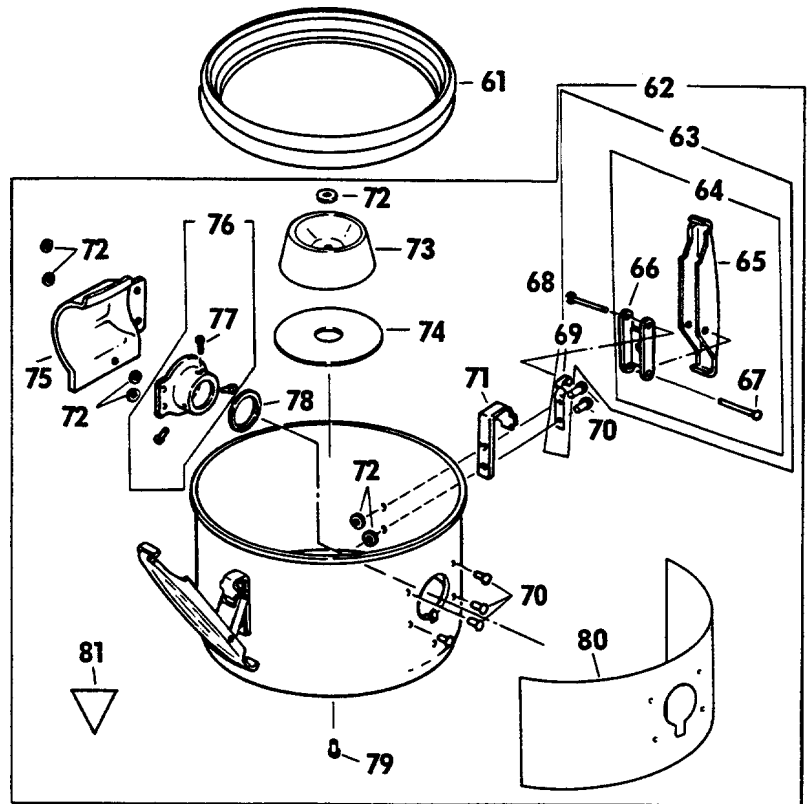
- 1 FQ-GR9561 Attachment Holder Assy
- 2 FQ-GRA7201 Spring & Pin Assy
- 3 FQ-72348 Lockwasher
- 4 FQ-72008 Screw
- 5 FQ-GRJ9573 Dome Cover & Handle Assy
- 6 FQ-95314 Dome Cover Handle, bronze
- 7 FQ-J95651 Dome Cover, black
- 8 FQ-31776 Gasket, dome cover
- 9 FQ-J95650 Inner Dome Cover Stamping
- 10 FQ-500790 De-Odorizer Felt
- 11 FQ-A500793 Retainer Spring, de-odorizer
- 12 FQ-31795P Screw
- 13 FQ-33063P Screw
- 14 FQ-GRK35071 Connector Stamping & Pin Assy
- 15 FQ-10514 Locking Pin
- 16 FQ-GR9960 Complete Dome Assy
- 17 FQ-GR9966 Handle & Bracket Assy
- 18 FQ-42784 Rivet
- 19 FQ-95611 Handle Bracket
- 20 FQ-99835 Light
- 21 FQ-99706 Decal, light
- 22 FQ-95645 Grille
- 23 FQ-33321M Outlet, one piece
- 24 FQ-99766 Decal, outlet
- 25 FQ-GR9531 Switch, rocker, w/ wires
- 26 FQ-B33302A Switch, rocker
- 27 FQ-Y33029A Wire, yellow
- 28 FQ-B33029A Wire, blue
- 29 FQ-W33029A Wire, white
- 30 FQ-99653 Dome, plated
- 31 FQ-99749 Switch Lever Pad
- 32 FQ-PG92767 Warning Decal, cellulose filter
- 33 FQ-33719P Screw
- 34 FQ-31306 Strain Relief
- 35 FQ-99301 Power Cord, black
- 36 FQ-31302 Switch, step-on
- 37 FQ-153318 Lockwasher, switch
- 38 FQ-500752 Spring, switch lever
- 39 FQ-500747 Switch Bracket
- 40 FQ-350751 Hinge Pin, switch lever
- 41 FQ-133054 Rivet, tubular
- 42 FQ-500750 Switch Lever
- 43 FQ-350787A Silencing Filter
- 44 FQ-31791 Support, filter
- 45 FQ-350012P Screw
- 46 FQ-31797A Protective Screen
- 47 FQ-A239760 Wire Connectors
- 48 FQ-GR3172 Upper Motor Support & Pins Assy
- 49 FQ-33514 Connector Pins
- 50 FQ-350060 Motor Support, rubber
- 51 FQ-GR9909 Motor Unit & Insulating Disc
- 52 FQ-31775 Gasket, dome
- 53 FQ-31769 Motor Support, lower
- 54 FQ-31146A Kepsnut
- 55 FQ-31798 Support, secondary filter
- 56 FQ-95450 Secondary Filter, paper
- 57 FQ-31788 Retainer, secondary filter support
- 58 FQ-31770C Support, cone
- 59 FQ-350712T Screw
- 60 FQ-500404 Filter Cone



FILTER QUEEN

Model: 99, 99A

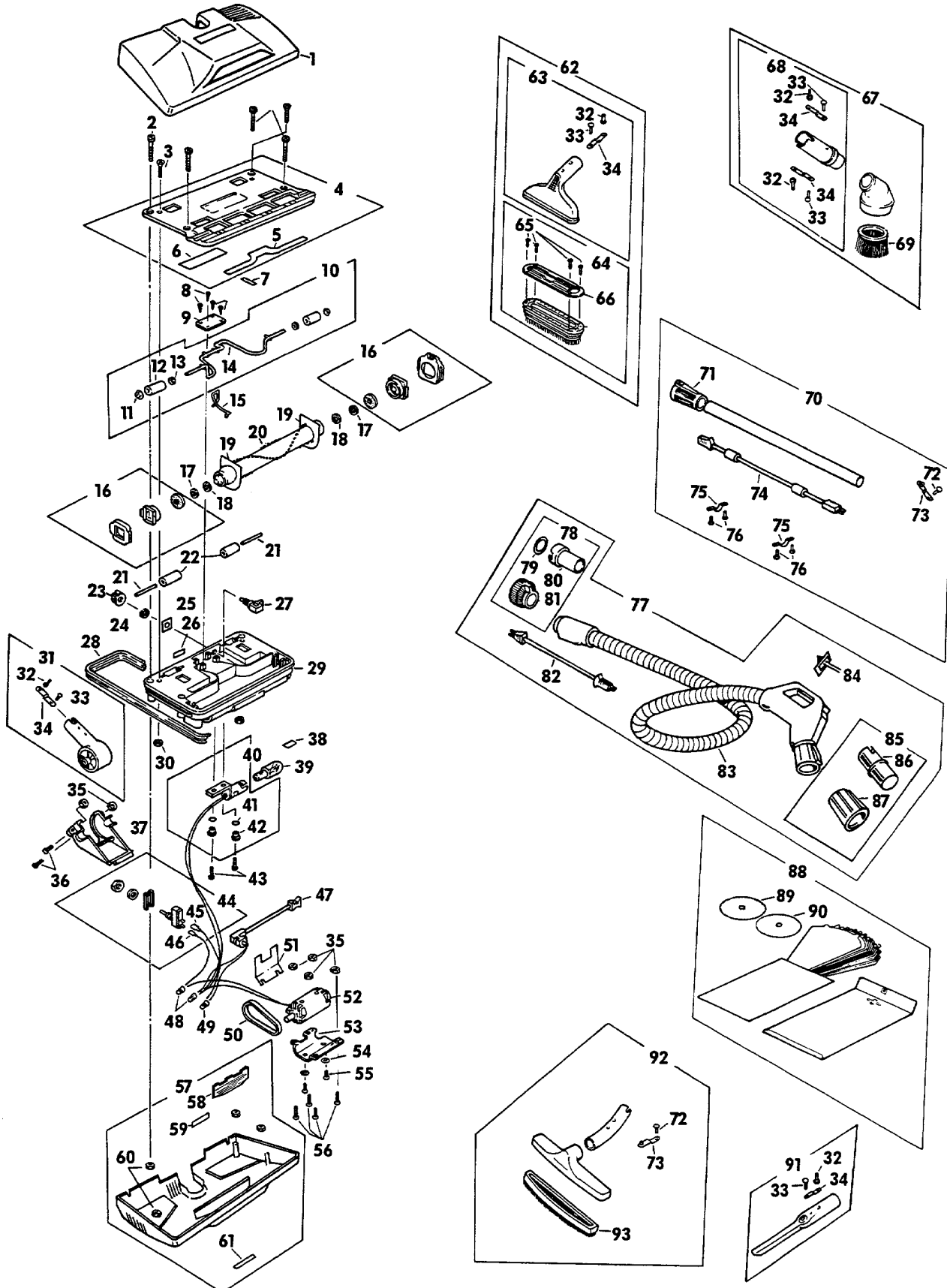
- 61 FQ-99430 Gasket, dirt container
- 62 FQ-GR9940A Dirt Container Assy, 99A
- 62 FQ-GR9940 Dirt Container Assy, 99
- 63 FQ-GR9546A Clamp Assy, complete
- 64 FQ-GR9574 Clamp & Spring Assy
- 65 FQ-95781 Clamp, dirt container, plated
- 66 FQ-224780 Clamp Link
- 67 FQ-224717B Rivet, tubular
- 68 FQ-A224784 Rivet, tubular steel
- 69 FQ-500779 Spring, clamp
- 70 FQ-16439 Rivet, 99A
- 70 FQ-28329 Rivet, 99
- 71 FQ-500778 Stamping, clamp spring
- 72 FQ-11246 Washer
- 73 FQ-95429 Cone Locator, metallic bronze, 99A
- 74 FQ-500427 Sealing Gasket, cone locator, 99A
- 75 FQ-200451 Deflector Stamping
- 76 FQ-GR35043 Container Inlet & Pin Assy
- 77 FQ-10514 Locking Pin
- 78 FQ-92407 Inlet Gasket
- 79 FQ-133054 Rivet, tubular, 99A
- 80 FQ-99419 Label, dirt container
- 81 FQ-95443A Sticker, Enviropure
- 82 FQ-GR9962A Caster Set Assy, 99A
- 82 FQ-GR9962 Caster Set Assy, 99
- 83 FQ-95905 Protective Shield
- 84 FQ-99783 Caster Spring, bumper
- 85 FQ-99768 Sticker, "front"
- 86 FQ-95780A Caster Plate, black
- 86 FQ-95780 Caster Plate, black, 99
- 87 FQ-57784 Rivet
- 88 FQ-079 Caster



FILTER QUEEN

For Models 99, 99A

Model: MA Power Nozzle



FILTER QUEEN

For Models 99, 99A

Model: MA Power Nozzle

1	FQ-CA96	Nozzle Assembly	49	FQ-48760	Wire Connector
2	FQ-88208P	Screw	50	FQ-48260	Belt, sold each
3	FQ-A88215P	Screw	50	FQ-206	Belt, sold each (R)
4	FQ-GRA8824	Bottom Plate Assembly	51	FQ-88308	Insulator
5	FQ-88280A	Gasket, bottom plate	52	FQ-GR9608	Motor, power nozzle
6	FQ-88443	Instruction Sheet, for MOD 88	53	N/A	Motor Bracket
7	FQ-88279A	Sealing Gasket Strip	54	FQ-42348	Lockwasher
8	FQ-56237P	Screw	55	FQ-48218P	Screw
9	FQ-48282	Retainer Plate, roller arm	56	FQ-31719P	Screw
10	FQ-GR8822	Roller Arm Assembly	57	FQ-GRM9625	Nozzle Cover Assy
11	FQ-48276	Pushnut Fastener	58	FQ-RB88230	Lens
12	FQ-52283R	Roller, right	59	FQ-M96765	Warning Label
13	FQ-48243	Washer, nylon	60	FQ-48207	On-Sert Fastener
14	FQ-88281	Roller Arm	61	FQ-M96706	Decal, power nozzle
15	FQ-88284	Spring, roller arm	62	FQ-GR9627A	Nozzle & Brush Assy, 6"
16	FQ-GR5223	Bearing Assembly, brush	63	FQ-GRD50068	Nozzle & Pins Assy, 6"
17	FQ-48216	Washer, brush shaft	64	FQ-GR9629	Brush Assembly
18	FQ-48246	Washer	65	FQ-33237P	Screw
19	FQ-88228	Dirt Seal, belt	66	FQ-66858	Clamp Plate
20	FQ-GR8821	Brush Roll, long	67	FQ-GR9682	Round Brush Assy
21	FQ-88249	Roller Shaft	68	FQ-GR9687	Adaptor Assy
22	FQ-88248	Wheel	69	FQ-33806	Brush Insert
23	FQ-96221	Knob, black	70	FQ-GRM9630	Wand Assembly
24	FQ-52222	Retainer Ring, industrial	71	FQ-96842B	Tube Seal, short, black
25	FQ-M96244	CAM Indicating Plate	72	FQ-23835	Rivet, tubular
26	N/A	Label, circuit breaker, burgundy	73	FQ-95231	Spring & Pin
27	FQ-52225	CAM	74	FQ-GRM9636	Cord, handle tube
28	FQ-RB88201	Bumper, black	75	FQ-48305	Cord Clip
29	FQ-96209	Power Nozzle Base	76	FQ-48329	Rivet
30	FQ-88213	On-Sert, inverted	77	FQ-GRM9684	Hose Assembly
31	FQ-GRRB9687	Swivel Adaptor Assy, black	78	FQ-GR9680B	Hose Connector Assy, complete
32	FQ-156232	Pin, retainer	79	FQ-3407	Gasket, hose connector
33	FQ-133054	Rivet, tubular	80	FQ-GR4888Z	Hose Connector Assy
34	FQ-350231	Retainer Spring	81	FQ-96858B	Connector Cover
35	FQ-48207	On-Sert Fastener	82	FQ-96821	Pigtail, male
36	FQ-33719P	Screw	83	FQ-M96802	Hose & Handle Assembly
37	FQ-RB88211	Retainer, power nozzle adaptor, black	84	N/A	Switch
38	FQ-88238	Lamp Warning Label	85	N/A	Adaptor Tube Assy
39	FQ-88235	Lamp	86	N/A	Adaptor Tube
40	FQ-GR8835	Lamp Socket Assembly	87	FQ-96842B	Tube Seal, black
41	FQ-88345	Eyelet	88	FQ-GRA50047	Envelope w/ 12 Filters
42	FQ-88324	Grommet	89	FQ-95450	Secondary Filter, paper
43	FQ-31215P	Screw	90	FQ-350450	Secondary Filter, paper
44	FQ-GR8831	Circuit Breaker & Leads Assembly	91	FQ-GR9679	Crevice Tool & Pin Assembly
45	FQ-R88029	Lead Wire, red	92		Brush Assy, complete, 10"
46	FQ-88029	Lead Wire, black	93	FQ-230806	Brush Insert
47	FQ-M96323	Cord, power nozzle	95	FQ-31918	Air Cap
48	FQ-A48760	Wire Connector			

ORDER DEPARTMENT HOURS

7am till 6pm (cst) Monday thru Friday

1-800-822-7467

OR FAX US YOUR ORDER,

24 HOURS A DAY,

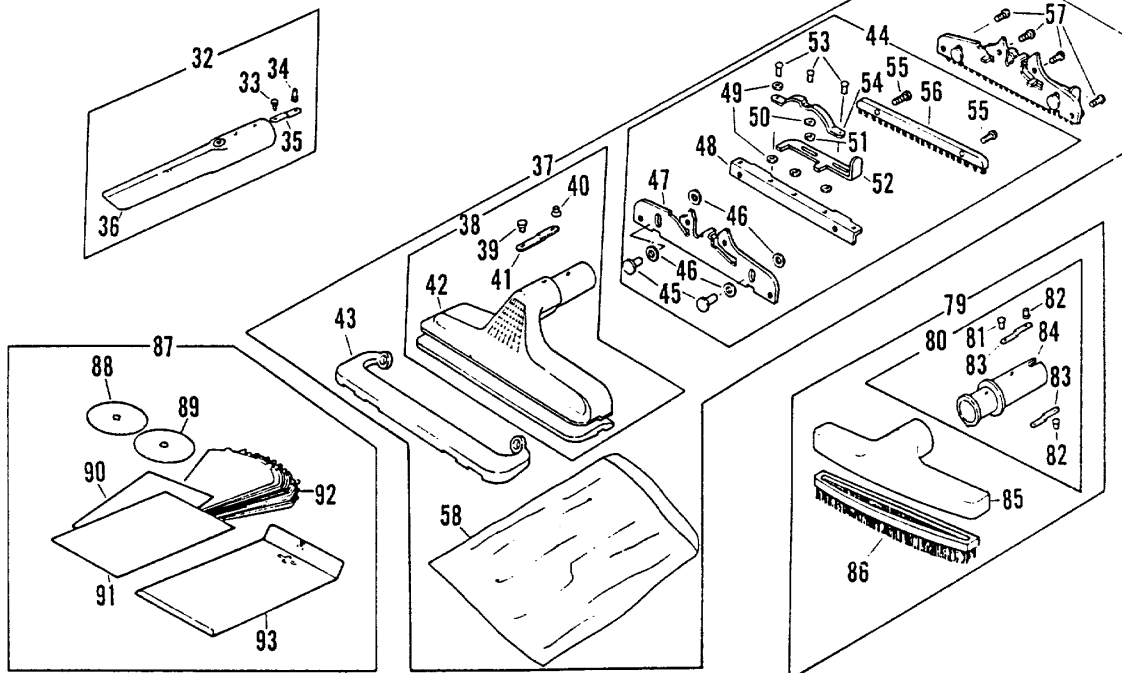
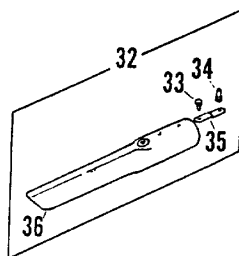
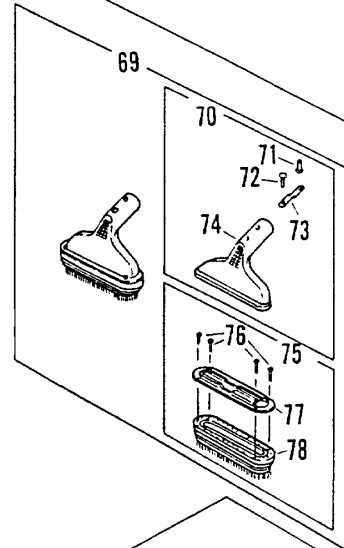
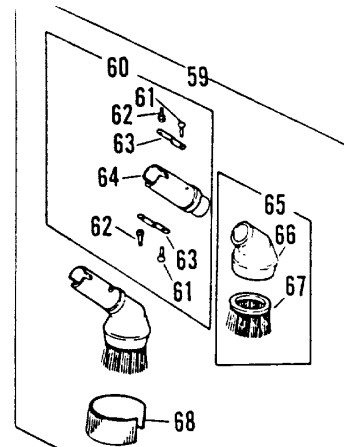
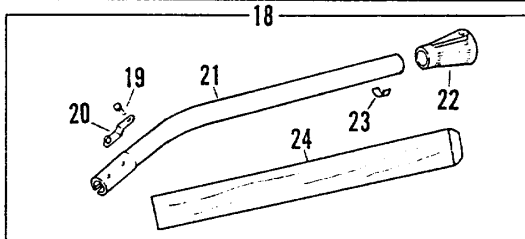
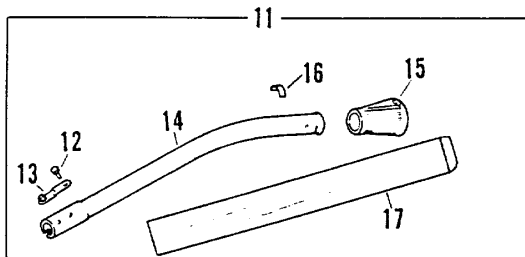
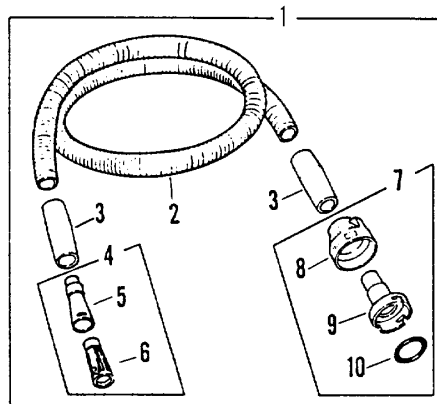
7 DAYS A WEEK

(847) 647-0534

FILTER QUEEN

For Models 99, 99A

Model: SSM Attachments



FILTER QUEEN

For Models 99, 99A

Model: SSM Attachments

1	FQ-GR9584	Hose Assembly	74	use #70	Finished Nozzle, 6"
2	FQ-95802	Hose, "Super Vac-U-Flex", metallic bronze	75	FQ-GR9629	Brush Assy
3	FQ-96814	Ferrule	76	FQ-33237P	Screw
4	FQ-GR9585	Adaptor Tube Assy	77	FQ-66858	Clamp Plate
5	use #4	Adaptor Tube, zinc-plated	78	FQ-96291A	Brush, 6", metallic bronze
6	use #4	Tube Seal, long	79	FQ-GREM9681	Brush Assy, 10", complete
7	FQ-GR9580	Hose Connector Assembly	80	N/A	Adaptor Assy
8	use #7	Connector Cover	81	use #79	Rivet, tubular
9	use #7	Hose Connector Assy, zinc-plated	82	use #79	Retainer Pin
10	FQ-3407	Gasket	83	use #79	Retainer Spring
11	FQ-GR9578	Wand Assy, upper	84	use #79	Adaptor Tube
12	FQ-23835	Rivet, tubular	85	use #79	Body, brush
13	FQ-95231	Spring & Pin	86	FQ-230806	Insert, brush
14	use #11	Extension Tube, upper	87	FQ-GR954712	Envelope, w/ filter cones
15	FQ-96842	Tube Seal, short	88	FQ-350450	Secondary Filter, paper (larger)
16	FQ-U95443	Label, upper wand	89	FQ-95450	Secondary Filter, paper (smaller)
17	N/A	Sack	90	use #87	Warning Sheet
18	FQ-GR9577	Wand Assy, lower	91	use #87	Info Sheet, secondary filter
19	FQ-23835	Rivet, tubular	92	use #87	Filter Cone, complete
20	FQ-95231	Spring & Pin	93	use #87	12 Filter Envelope
21	use #18	Extension Tube, lower			
22	FQ-96842	Tube Seal, short			
23	FQ-L95443	Label, lower wand			
32	FQ-GR9679	Crevice Tool & Pin Assy			
33	use #32	Rivet, tubular			
34	FQ-156232	Retainer Pin			
35	use #32	Retainer Spring			
36	use #32	Crevice Tool			
	N/A	Emblem Decal			
37	FQ-GR9520	Nozzle & Brush Assy, 11"			
38	FQ-GRPG9225	Floor Nozzle Assy			
39	use #37	Rivet			
40	FQ-156232	Retainer Pin			
41	use #37	Retainer Spring			
42	use #37	Nozzle, 11", polished			
43	FQ-95201	Bumper, 11" nozzle			
44	FQ-GR3122	Brush & Brush Guide Assy			
45	FQ-500241	Stud, brush guide			
46	FQ-11246	Washer			
47	FQ-31214	Brush Guide, plated			
48	FQ-31223	Brush Holder, plated			
49	FQ-500243	Washer, stud			
50	FQ-31246	Washer			
51	FQ-94276	Washer, brush side spring, shakeproof			
52	FQ-200225	Brush Slide			
53	FQ-500226	Rivet, shouldered			
54	FQ-200220A	Spring, brush tension			
55	FQ-33063P	Screw			
56	FQ-31224	Floor Brush Strip, black			
57	FQ-31215P	Screw			
58	FQ-350931	Sack			
59	FQ-GR9682	Round Brush Assy			
60	FQ-GR9687	Adaptor Assembly			
61	use #59	Rivet, tubular			
62	FQ-156232	Retainer Pin			
63	use #59	Retainer Spring			
64	use #59	Adaptor, metallic bronze			
65	use #59	Round Brush Assy			
66	use #59	Body, round brush			
67	FQ-33806	Insert, round brush			
68	use #59	Protector, round brush			
	N/A	Emblem Decal			
69	FQ-GR9627A	Nozzle & Brush Assy, 6"			
70	FQ-GRD50068	Nozzle & Pins Assy, 6", polished			
71	FQ-156232	Retainer Pin			
72	use #70	Rivet, tubular			
73	use #70	Retainer Spring			

**We ship
your order
the same
day**

If placed by 3:00pm cst