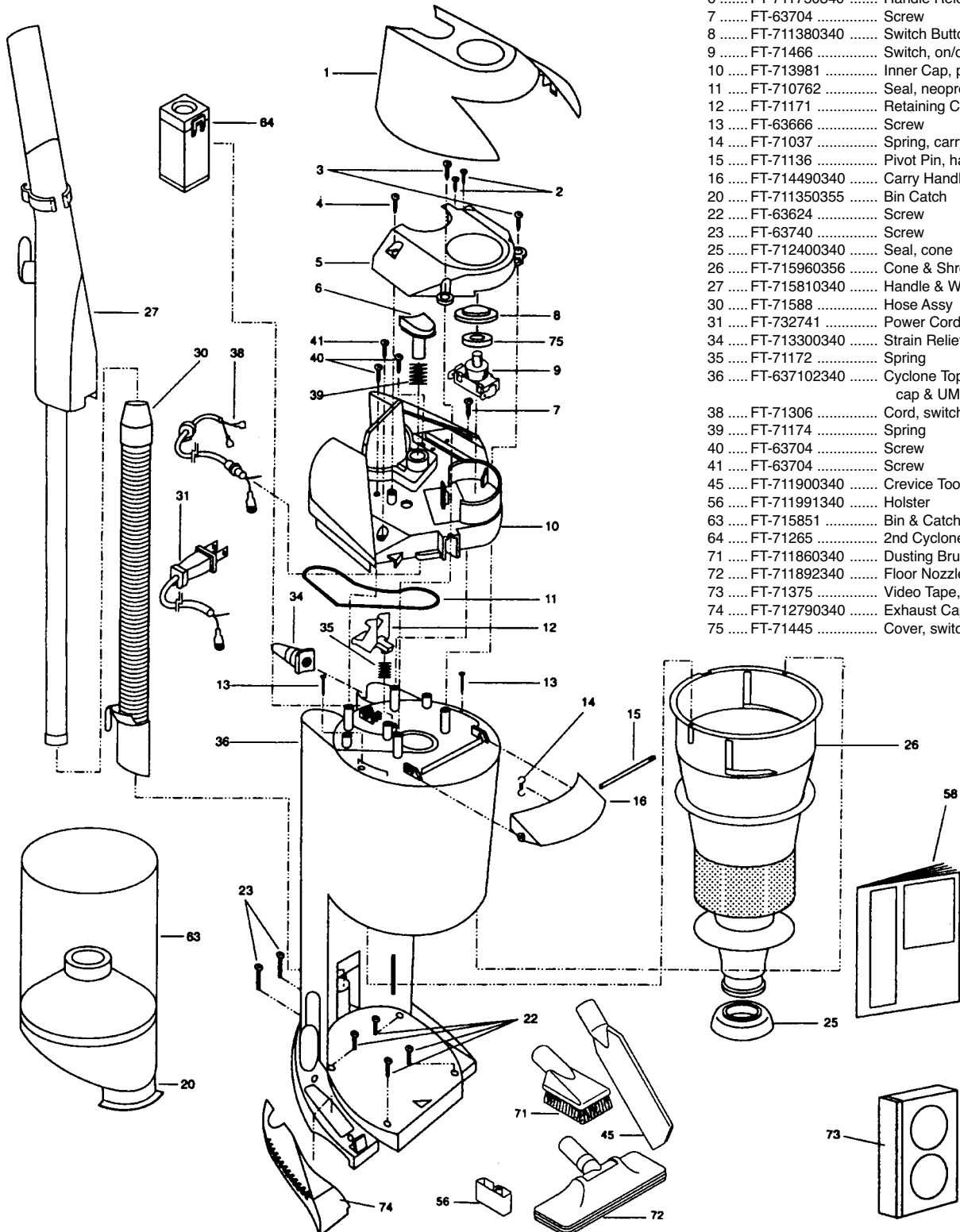


FANTOM

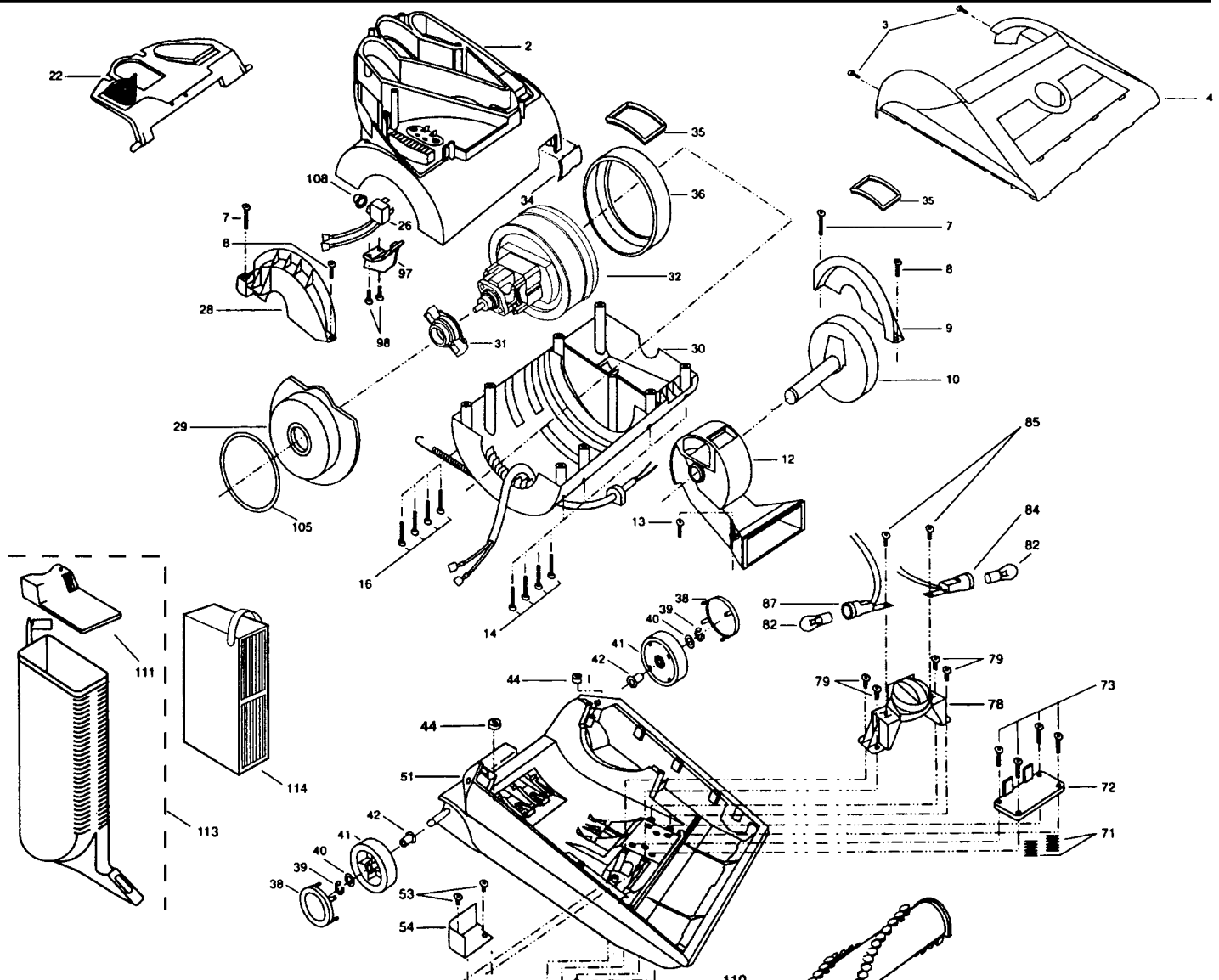
Models: THXX 01 Thunder



- 1 FT-733940354 Glamour Cap
- 2 FT-63628 Screw
- 3 FT-63624 Screw
- 4 FT-63704 Screw
- 5 FT-711310340 Inner Cap Cover
- 6 FT-711750340 Handle Release Button
- 7 FT-63704 Screw
- 8 FT-711380340 Switch Button, on/off
- 9 FT-71466 Switch, on/off
- 10 FT-713981 Inner Cap, pad printed
- 11 FT-710762 Seal, neoprene
- 12 FT-71171 Retaining Clip, handle
- 13 FT-63666 Screw
- 14 FT-71037 Spring, carry handle
- 15 FT-71136 Pivot Pin, handle
- 16 FT-714490340 Carry Handle Assy
- 20 FT-711350355 Bin Catch
- 22 FT-63624 Screw
- 23 FT-63740 Screw
- 25 FT-712400340 Seal, cone
- 26 FT-715960356 Cone & Shroud Assy
- 27 FT-715810340 Handle & Wand Assy
- 30 FT-71588 Hose Assy
- 31 FT-732741 Power Cord, 30 ft
- 34 FT-713300340 Strain Relief, cord
- 35 FT-71172 Spring
- 36 FT-637102340 Cyclone Top, ducts, exhaust cap & UMC cap assy
- 38 FT-71306 Cord, switch to motor
- 39 FT-71174 Spring
- 40 FT-63704 Screw
- 41 FT-63704 Screw
- 45 FT-711900340 Crevice Tool
- 56 FT-711991340 Holster
- 63 FT-715851 Bin & Catch Assy
- 64 FT-71265 2nd Cyclone Augmenter Assy
- 71 FT-711860340 Dusting Brush Assy
- 72 FT-711892340 Floor Nozzle Assy
- 73 FT-71375 Video Tape, users
- 74 FT-712790340 Exhaust Cap
- 75 FT-71445 Cover, switch

FANTOM

Models: THXX 01 Thunder



- 2 FT-715740340 UMC/Seal Clamp Assy
- 3 FT-63628 Screw
- 4 FT-714801340 Cleaner Head Cover Assy
- 7 FT-63705 Screw
- 8 FT-63624 Screw
- 9 FT-71025 Bearing Clamp, valve end
- 10 FT-71067 Bearing Pivot, valve end
- 12 FT-63788 Rotary Valve & Seal Assy
- 13 FT-63628 Screw
- 14 FT-63393 Screw
- 16 FT-63393 Screw
- 22 FT-715670340 Insp. Plate & Seal
- 26 FT-71568 Thermal Reset & Lead Assy
- 28 FT-71024 Bearing Clamp, belt end
- 29 FT-710296 Upr & Lwr Motor Cover Bushing
- 30 FT-640580340 Lower Motor Cover, cord, balance spring & seal assy
- 31 FT-71646 Rubber Motor Mount, rear
- 32 FT-71641 Motor & Gasket Assy
- 34 FT-710960340 Inspection Plate, front
- 35 FT-71064 Seal, rotary valve duct
- 36 FT-71645 Rubber Motor Mount, front
- 38 FT-710820340 Wheel Cap
- 39 FT-03353 "E" Clip
- 40 FT-64079 Washer
- 41 FT-712230340 Rear Wheel
- 42 FT-71085 Sleeve Bearing
- 44 FT-71038 Cup Washer
- 51 FT-715690340 Base Assy
- 53 FT-63628 Screw
- 54 FT-710430340 Cover Plate
- 60 FT-71571 Front Wheel Bracket Assy
- 68 FT-71023 Belt

- 68 FT-71023 Belt
- 71 FT-71007 Spring
- 72 FT-71013 Support Plate
- 73 FT-63628 Screw
- 78 FT-635930340 Height Adjustment Assy
- 79 FT-63704 Screw
- 82 FT-63635 Light Bulb
- 84 FT-71639 Lamp Socket, short leads
- 85 FT-63650 Screw
- 87 FT-71638 Lamp Socket, long leads
- 97 FT-71254 Thermal reset Bracket
- 98 FT-63628 Screw
- 105 FT-71293 "O" Ring
- 108 FT-71292 Thermal reset Gasket
- 110 FT-71393 Brush Roll Assy
- 111 FT-713090340 Filter Housing Cover Assy
- 113 FT-713040340 Filter Housing Assy
- 114 FT-712771 Cartridge Assy

PHONE: 1-800-822-7467 FAX: 847-647-0534 E-MAIL: sales@hescoinc.com WEB: www.hescoinc.com