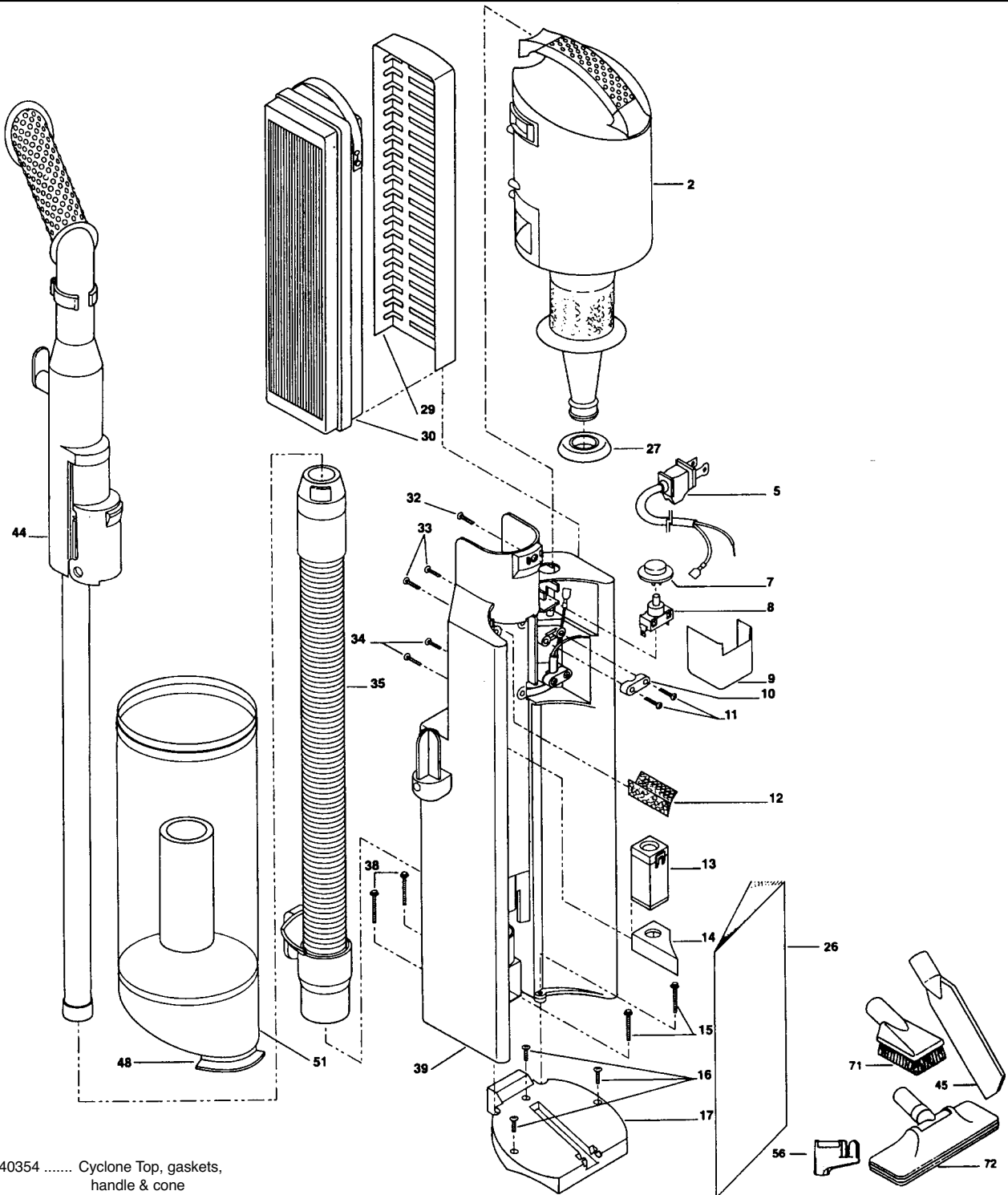


# FANTOM

Models: FYXX01 Fury



- 2 ..... FT-733940354 ..... Cyclone Top, gaskets, handle & cone
- 5 ..... FT-732741 ..... Power Cord, 30'
- 7 ..... FT-731300353 ..... Switch Button, on/off
- 8 ..... FT-73169 ..... Switch, on/off
- 9 ..... FT-73266 ..... Insulator, switch
- 10 ..... FT-70070 ..... Cord Clamp
- 11 ..... FT-03493 ..... Screw
- 12 ..... FT-73120 ..... Motor Fluff Screen
- 13 ..... FT-73304 ..... Augmenter Assy
- 14 ..... FT-731390340 ..... Augmenter extension
- 15 ..... FT-73265 ..... Screw

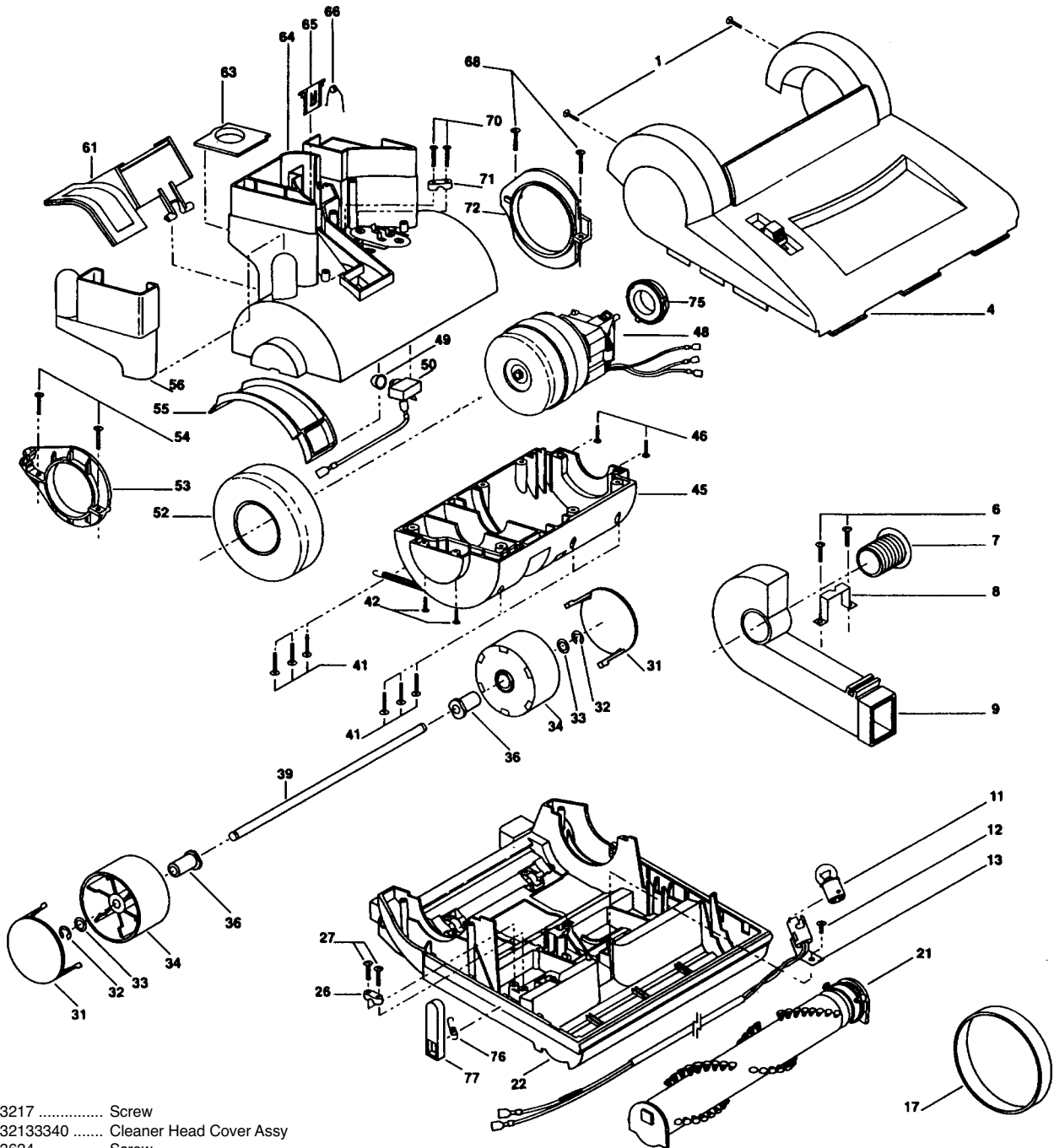
- 16 ..... FT-63628 ..... Screw
- 17 ..... FT-731930340 ..... UMC Cap & Seal Assy
- 27 ..... FT-712400340 ..... Cone Seal
- 29 ..... FT-73432 ..... Filter Cover, english
- 30 ..... FT-731710353 ..... Filter Cartridge
- 32 ..... FT-63704 ..... Screw
- 33 ..... FT-63704 ..... Screw
- 34 ..... FT-63704 ..... Screw
- 35 ..... FT-73423 ..... Hose Assy
- 38 ..... FT-63740 ..... Screw

- 39 ..... FT-733950340 ..... Air Duct Assy
- 44 ..... FT-734240340 ..... Handle & Wand Assy
- 45 ..... FT-711900340 ..... Crevice Tool
- 48 ..... FT-731480353 ..... Bin Catch
- 51 ..... FT-734390353 ..... Bin Assy
- 56 ..... FT-731520340 ..... Holster
- 71 ..... FT-711860340 ..... Dusting Brush Assy
- 72 ..... FT-711892340 ..... Floor Nozzle Assy

PHONE: 1-800-822-7467 FAX: 847-647-0534 E-MAIL: sales@hescoinc.com WEB: www.hescoinc.com

# FANTOM

Models: FYXX01 Fury



- |                             |                            |                             |  |                             |  |
|-----------------------------|----------------------------|-----------------------------|--|-----------------------------|--|
| 1 ..... FT-73217 .....      | Screw                      | 34 ..... FT-731130340 ..... | Rear Wheel                                     | 55 ..... FT-73123 .....     | Rotary Valve Seal                            |
| 4 ..... FT-732133340 .....  | Cleaner Head Cover Assy    | 36 ..... FT-71085 .....     | Sleeve Bearing                                 | 56 ..... FT-731520340 ..... | Holster                                      |
| 6 ..... FT-63624 .....      | Screw                      | 39 ..... FT-731600007 ..... | Rear Axle                                      | 61 ..... FT-734010340 ..... | Inspection Plate, seal, flap                 |
| 7 ..... FT-73140 .....      | Transfer Tube              | 41 ..... FT-63393 .....     | Screw  | 64 ..... FT-734020340 ..... | Upper Motor Cover Terminal Board & Seal Assy |
| 8 ..... FT-73246 .....      | Rotary Valve Clamp         | 42 ..... FT-63021 .....     | Screw  | 65 ..... FT-731190340 ..... | Bypass Door                                  |
| 9 ..... FT-733300340 .....  | Rotary Valve & Gasket Assy | 45 ..... FT-733990340 ..... | Lower Motor Cover, balance spring & seals assy | 66 ..... FT-73164 .....     | Bypass Door Spring                           |
| 11 ..... FT-63635 .....     | Light Bulb                 | 46 ..... FT-63021 .....     | Screw  | 68 ..... FT-63624 .....     | Screw  |
| 12 ..... FT-63650 .....     | Screw                      | 48 ..... FT-73472 .....     | Motor & Gasket Assy                            | 70 ..... FT-03493 .....     | Screw  |
| 13 ..... FT-73467 .....     | Bulb Socket / Leads        | 49 ..... FT-71292 .....     | Thermal Reset Seal                             | 71 ..... FT-70070 .....     | Cord Clamp                                   |
| 17 ..... FT-73108 .....     | Brush Belt                 | 50 ..... FT-73400 .....     | Thermal Reset Seal & leads                     | 72 ..... FT-73268 .....     | Pivot Bearing Assy, RH                       |
| 21 ..... FT-73397 .....     | Brush Roll Assy            | 52 ..... FT-73162 .....     | Motor Mount, fan end                           | 75 ..... FT-73357 .....     | Motor Mount Assy                             |
| 22 ..... FT-733980340 ..... | Base Assy                  | 53 ..... FT-73269 .....     | Pivot Bearing Assy, LH                         | 76 ..... FT-73190 .....     | Plunger Spring                               |
| 26 ..... FT-70070 .....     | Cord Clamp                 | 54 ..... FT-63624 .....     | Screw  | 77 ..... FT-731890340 ..... | Plunger                                      |
| 27 ..... FT-03493 .....     | Screw                      |                             |  |                             |  |
| 31 ..... FT-731120340 ..... | Wheel Cap                  |                             |  |                             |  |
| 32 ..... FT-03353 .....     | "E" Clip                   |                             |  |                             |  |
| 33 ..... FT-64079 .....     | Washer                     |                             |  |                             |  |

PHONE: 1-800-822-7467 FAX: 847-647-0534 E-MAIL: sales@hescoinc.com WEB: www.hescoinc.com