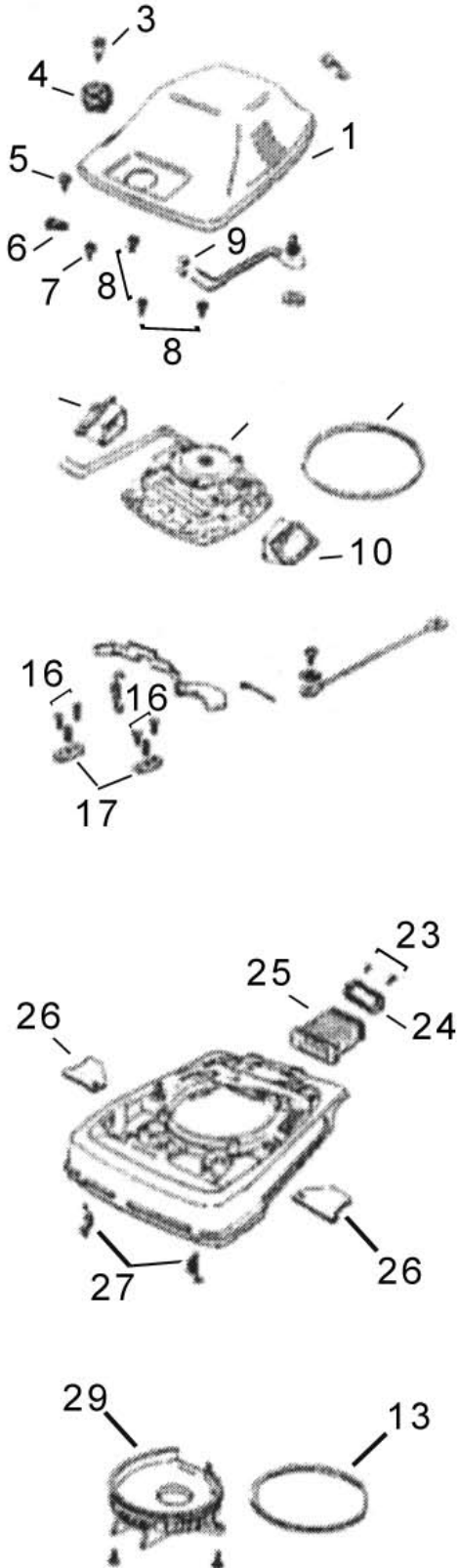


COMMERCIAL UPRIGHTS

Models: SC882A, SC883A

SC Series

BASE & HOOD



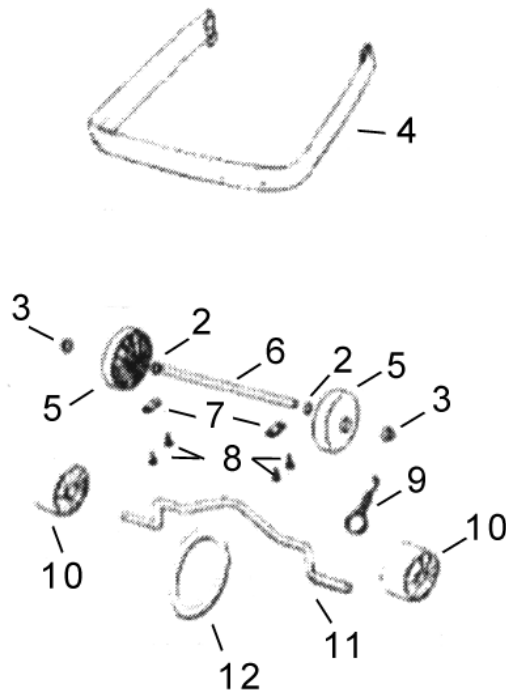
Index	Part No.	Description
1	E-540975	Hood & Nameplate Assembly
2	N/A	
3	E-53143	Screw (10 pack)
4	E-380532	Knob Assembly
5	E-532282	Screw (10 pack)
6	E-53160	Cable Clamp Package
7	E-5323813	Screw Package
8	E-5323817	Screw Package
9	E-532141	Wire Splice 5
10	E-490523	Tape (foam)
11	E-563831SV	Duct Assembly
12	E-5435215	Motor Assembly
13	E-30517	Gasket (motor seal)
14	E-563821SV	Duct Assembly (L)
15	E-53097	Spring (foot pedal)
16	E-5323817	Screw Package
17	E-53140	Clamp & Screw Assembly
18	E-5342524	Base Assembly
19	E-24964A1	Cam (right)
20	E-24965A1	Cam (left)
21	E-53118	Rivet (shoulder package)
22	E-53133	Steel Washers
23	E-532287	Screws (10 pack)
24	E-382881	Clamp (bellows)
25	E-147631	Bellows
26	E-36263	Cover (wheel)
27	E-53117	Spring (hood package, 10 pack)
28	E-52334	Fan Chamber Replacement
29	E-137701	Cover (fan scroll)
30	E-5323817	Screw Package
31	E-531881	Washer
32	E-532134	Nuts (10 pack)
33	N/A	Wire Assembly (grounding)
34	N/A	Wire & Terminal Assembly

COMMERCIAL UPRIGHTS

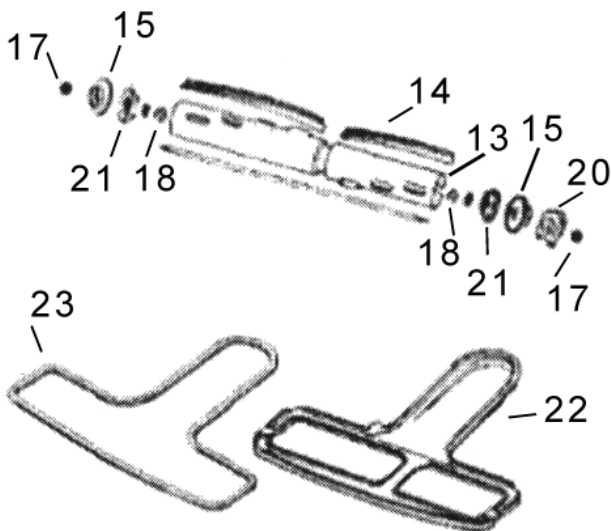
Models: SC882A, SC883A

SC Series

FURNITURE & GUARD



Index	Part No.	Description
1	N/A	
2	E-53110	Washer (wheel package)
3	E-53121	Push Nut (10 pack)
4	E-76334	Furniture Guard Assembly
5	E-763691	Rear Wheel Overmold
6	E-37183	Axle (rear)
7	E-53201	Clamps (10 pack)
8	E-5323811	Screw Package
9	E-530762	Spring & Axle Package (6 pack)
10	E-35859A1	Wheel (front)
11	E-35947A	Axle (front)
12	E-30563A	Belt (disturbulator drive)
13	E-132363	Tube (disturbulator)
14	E-522824	Bristle Strip Package
15	E-26057A	Cap (disturbulator)
16	E-542561	Bearing & Retainer Assembly
17	E-53158	Lock Nut Package
18	E-53184	Klipring Package
19	E-25937	Shaft (disturbulator)
20	E-26059A	Cap (cover)
21	E-542561	Bearing & Retainer Assembly
22	E-259221	Bottom Plate Assembly
23	E-465384	Tape (foam)
24	N/A	Axle Bushing
25	E-53270	Disturbulator Assembly

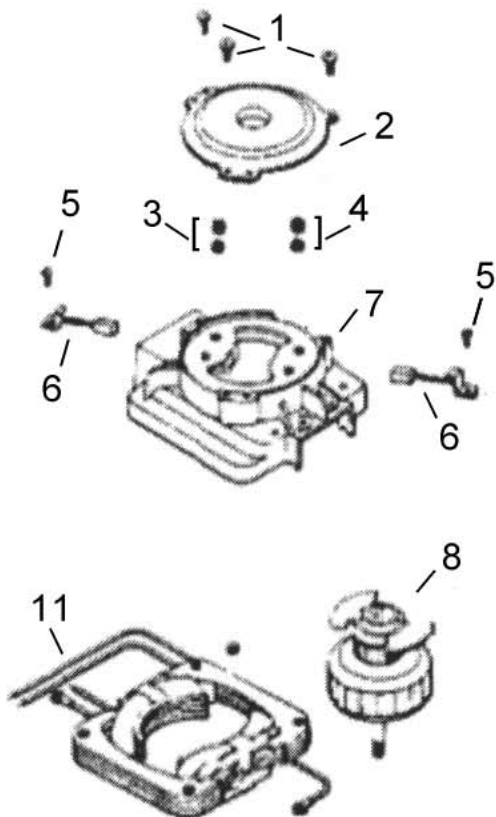


COMMERCIAL UPRIGHTS

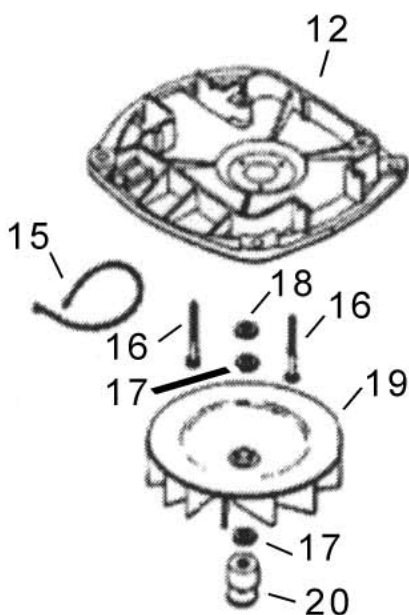
Models: SC882A, SC883A

SC Series

MOTOR



Index	Part No.	Description
1	E-53158	Lock Nut Package
2	E-20217E	Retainer (upper bearing)
3	E-532134	Nuts (10 pack)
4	E-532223	Lockwashers (10 pack)
5	E-532192	Screws (10 pack)
6	E-30478	Motor Brush Assembly
7	E-54396	Motor Cover Assembly
8	E-543954	Armature (fan & bearing assembly)
9	E-530885	Ball Bearing
10	E-30474A	Fan (motor cooling)
11	E-534412	Field Assembly
12	E-541691	Motor Base Assembly
13	E-42875	Bearing Retainer Assembly
14	E-531871	Rivet Package
15	E-568022	Tie (cable)
16	E-53142	Screw Package (10 pack)
17	E-53148	Washer (fan, 10 pack)
18	E-531881	Washer Package
19	E-77247355N	Fan Blower (motor)
20	E-370122	Pulley (motor drive)

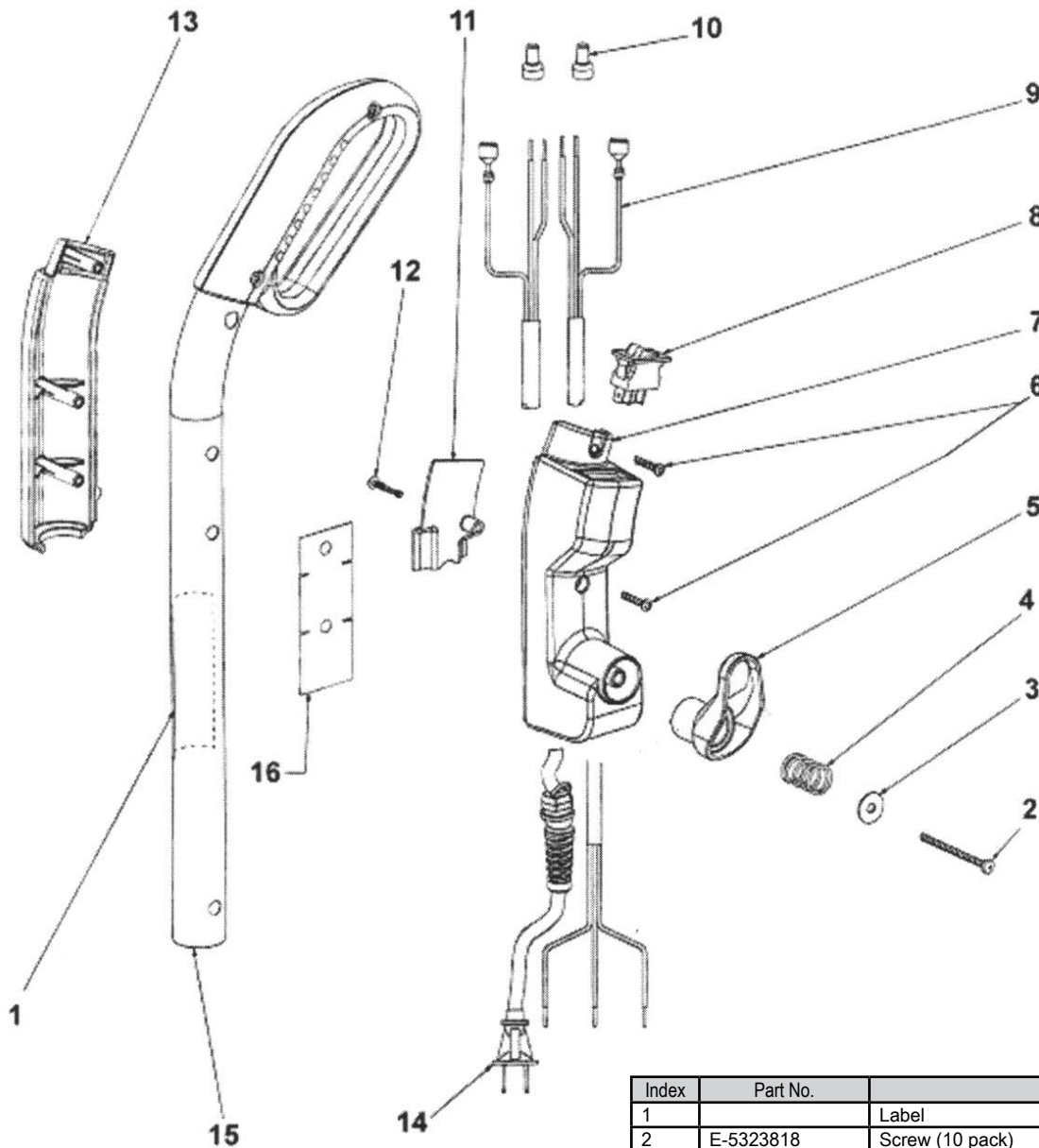


COMMERCIAL UPRIGHTS

Models: SC882A, SC883A

SC Series

HANDLE



Index	Part No.	Description
1		Label
2	E-5323818	Screw (10 pack)
3	E-60946	Washer (10 pack)
4	E-60945	Spring (10 pack)
5	E-28316355N	Retainer (cord)
6	E-531971	Screw (10 pack)
7	E-76643355N	Housing Switch (LH)
8	E-28073A	Switch (rocker)
9	E-76767	Upper Cord Assembly
10	E-601921	Wire Splice 5
11	E-59741316N	Shield (wiring)
12	E-60947	Screw (10 pack)
13	E-76644355N	Housing Switch (RH)
14	E-36577A23	Supply Cord Assembly
15	N/A	
16	E-76644355N	Housing Switch (RH)
17	E-76224	Cord (extension)
18	E-76225355N	Cord Lock

PHONE: 1-800-822-7467

FAX: 847-647-0534

E-MAIL: sales@hescoinc.com

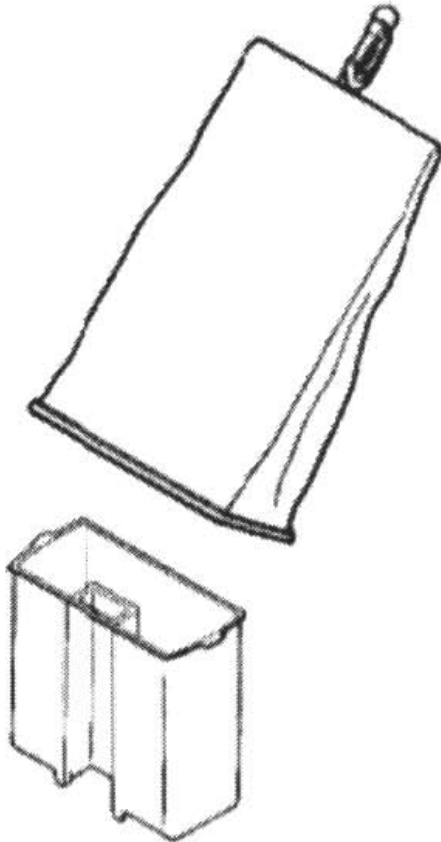
WEB: hescoinc.com

COMMERCIAL UPRIGHTS

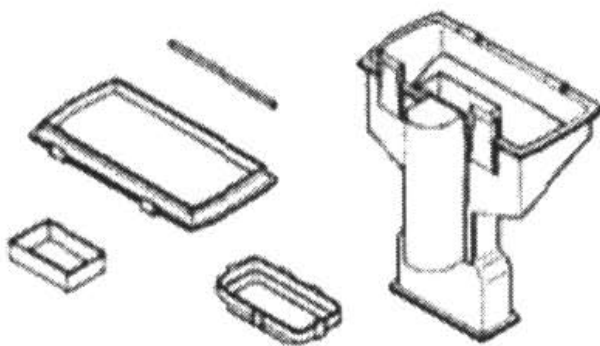
Models: SC882A, SC883A

SC Series

BAG & DUST CUP



Index	Part No.	Description
1	N/A	Bag Assembly
2	E-58223	Gasket (dirt cup)
3	N/A	Dirt Cup Assembly
4	E-545611	Support & Latch Assembly
5	E-553991	Pin Cover
6	E-147651	Flange Bag (outer)
7	E-38289	Gasket
8	E-262662	Clamp
9	E-01959313N	Dirt Cup
10	E-57838B	Hardware Package



PHONE: 1-800-822-7467

FAX: 847-647-0534

E-MAIL: sales@hescoinc.com

WEB: hescoinc.com