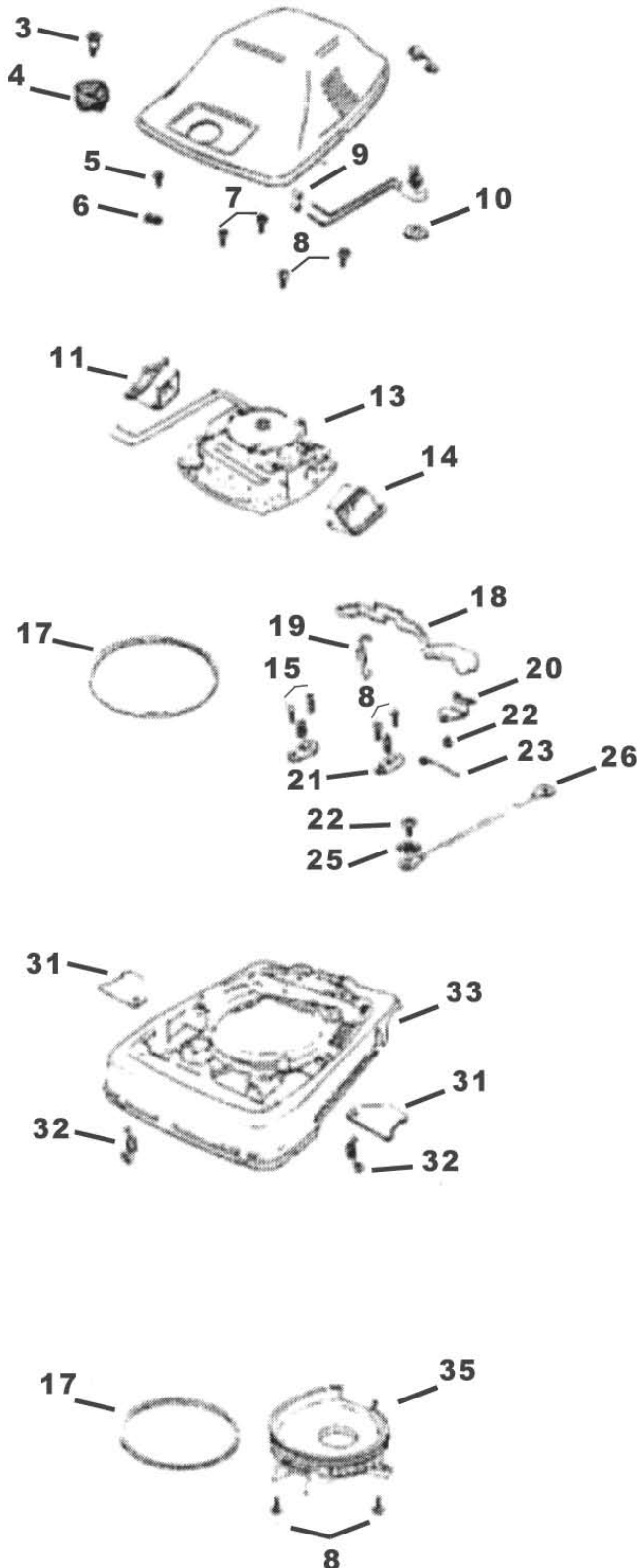


COMMERCIAL UPRIGHTS

Models: SC881A

SC Series

BASE AND HOOD



Index	Part No.	Description
1	E-540975	Hood and Name Plate Assembly
2	N/A	
3	E-53143	Screw Package (10 pack)
4	E-380532	Knob Assembly
5	E-532282	Screw Package (10 pack)
6	E-53160	Cable Clamp Package
7	E-5323813	Screw Package
8	E-5323814	Screw Package
9	E-532141	Wire Splice 5
10	E-53102	Lockwasher Package (10 pack)
11	E-563831SV	Duct Assembly (R)
12	E-490523	Tape (foam)
13	E-5435215	Motor Assembly (packaged)
14/15	E-563821SV	Duct Assembly (L)
16	E-490523	Tape (foam)
17	E-30517	Gasket (motor seal)
18	E-24834A3	Pedal (foot)
19	E-53097	Spring (foot pedal package)
20	E-37034	Spring (adapter retainer)
21	E-53140	Clamp & Screw Assembly Package
22	E-5323811	Screw Package
23	NLA	Wire Assembly (grounding)
24	E-534747	Base Assembly
25	E-532134	Nuts (10 pack)
26	E-55296	Wire & Terminal Assembly
27	E-24964A1	Cam (right)
28	E-24965A1	Cam (left)
29	E-53118	Rivert (shoulder package)
30	E-53133	Steel Washers (10 pack)
31	E-36263	Cover (wheel)
32	E-53117	Spring (hood package, 10 pack)
33	E-534747	Base Assembly
34	E-52334	Fan Chamber Replacement
35/36	E-137701	Cover (fan scroll)

PHONE: 1-800-822-7467

FAX: 847-647-0534

E-MAIL: sales@hescoinc.com

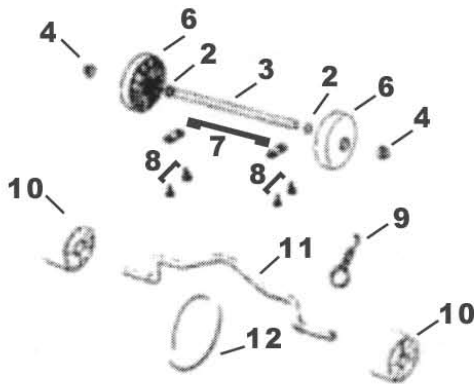
WEB: hescoinc.com

COMMERCIAL UPRIGHTS

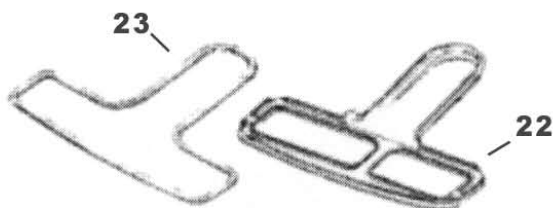
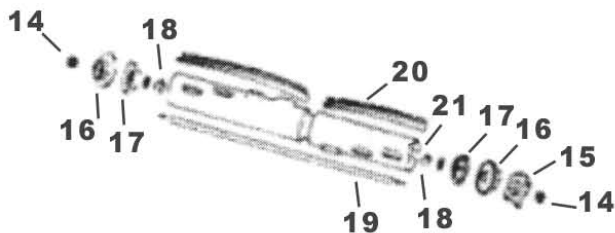
Models: SC881A

SC Series

FURNITURE GUARD & BRUSH ROLL



Index	Part No.	Description
1	N/A	
2	E-53110	Washer (wheel package, 10 pack)
3	E-37183	Axle (rear)
4	E-53121	Push Nut Package (10 pack)
5	E-76334	Furniture Guard Assembly
6	E-763691	Rear Wheel Overmold
7	E-53201	Clamps (10 pack)
8	E-5323811	Screw Package
9	E-530762	Spring & Axle Package (6 pack)
10	E-35859A1	Wheel (front)
11	E-35947A	Axle (front)
12	E-30563A	Belt (disturbulator drive)
13	E-53270	Disturbulator Assembly
14	E-53158	Lock Nut Package
15	E-26059A	Cap (cover)
16	E-26057A	Cap (disturbulator)
17	E-54256	Bearing & Retainer Assembly
18	E-53184	Klipring Package
19	E-25937	Shaft (disturbulator)
20	E-522824	Bristle Strip Package
21	E-132363	Tube (disturbulator)
22	E-259221	Bottom Plate Assembly
23	E-465384	Tape (foam)

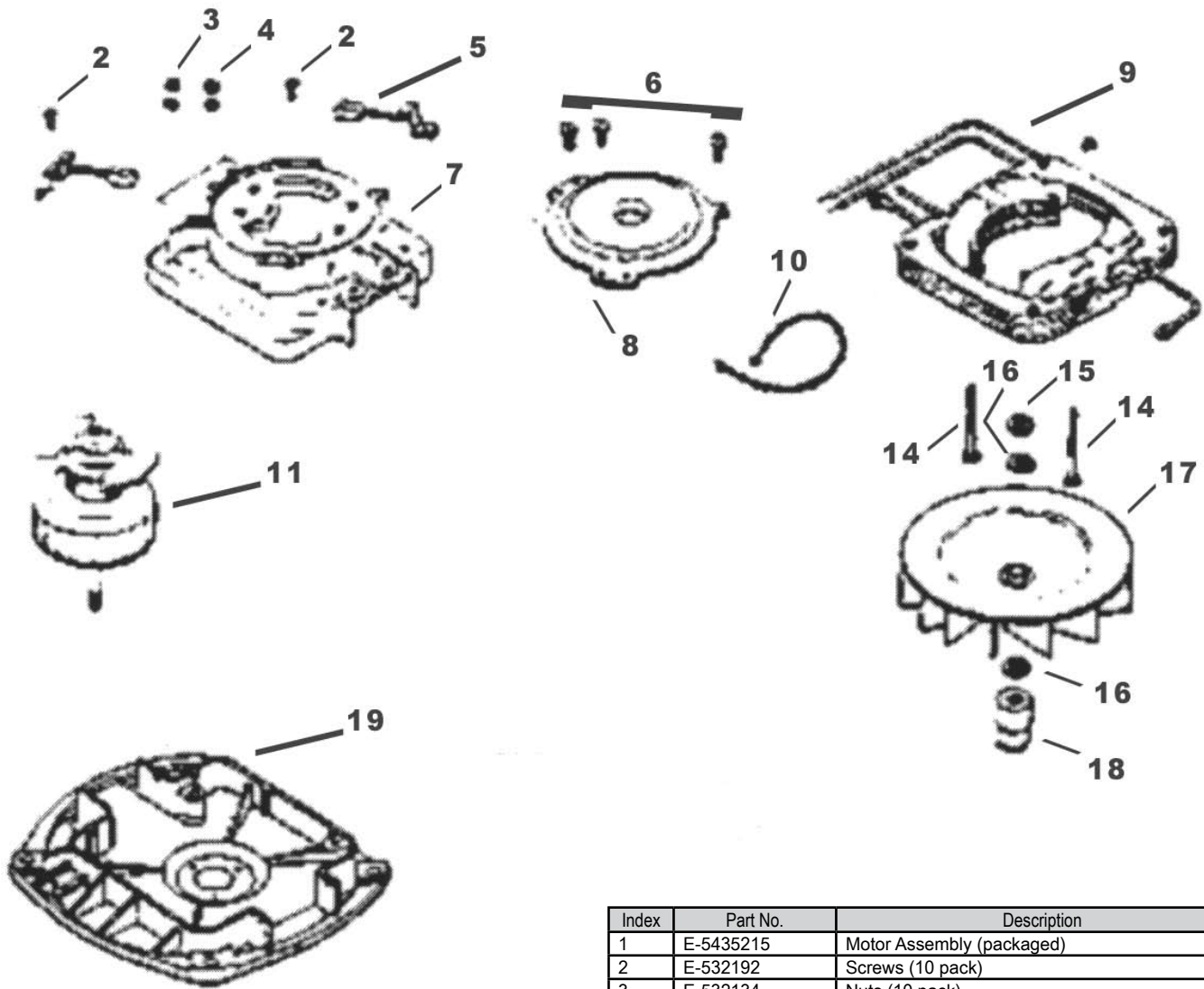


COMMERCIAL UPRIGHTS

Models: SC881A

SC Series

MOTOR



Index	Part No.	Description
1	E-5435215	Motor Assembly (packaged)
2	E-532192	Screws (10 pack)
3	E-532134	Nuts (10 pack)
4	E-532223	Lockwashers (10 pack)
5	E-30478	Motor Brush Assembly
6	E-53138	Screws (10 pack)
7	E-54396	Motor Cover Assembly
8	E-20217E	Retainer (upper bearing)
9	E-534412	Field Assembly (packaged)
10	E-467131	Tie (cable)
11	E-543954	Armature (fan & bearing assembly)
12	E-530882	Ball Bearing
13	E-30474A	Fan Motor Cooling
14	E-53142	Screw Package (10 pack)
15	E-531881	Washer Package
16	E-53148	Washer (fan, 10 pack)
17	E-77247355N	Fan Blower (motor)
18	E-370122	Pulley (motor drive)
19	E-541691	Motor Base Assembly
20	E-544122	Bearing Retainer Assembly
21	E-530881	Ball Bearing (5 pack)
22	E-531871	Rivet (10 pack)

PHONE: 1-800-822-7467

FAX: 847-647-0534

E-MAIL: sales@hescoinc.com

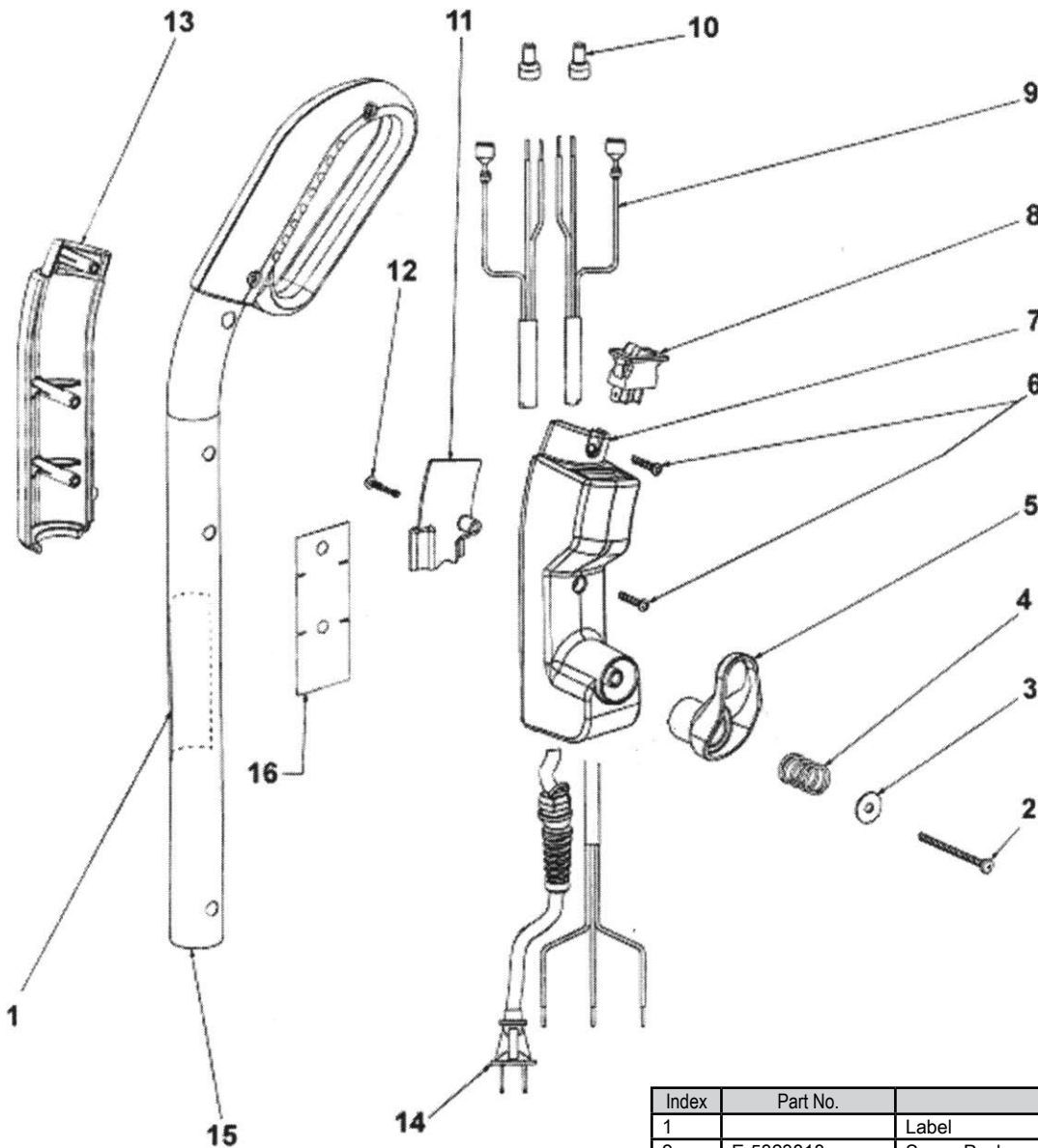
WEB: hescoinc.com

COMMERCIAL UPRIGHTS

Models: SC881A

SC Series

HANDLE



Index	Part No.	Description
1		Label
2	E-5323818	Screw Package
3	E-60946	Washer
4	E-60945	Spring
5	E-28316355N	Retainer (cord)
6	E-531971	Screw Package
7	E-76643355N	Housing Switch (LH)
8	E-28073A	Switch (rocker)
9	E-76767	Upper Cord Assembly
10	E-601921	Wire Splice 5
11	E-59741316N	Shield (wiring)
12	E-60947	Screws
13	E-76644355N	Housing Switch (RH)
14	E-36577A23	Supply Cord Assembly
15	N/A	
16	E-76644355N	Housing Switch (RH)
17	E-76224	Cord Extension
18	E-76225355N	Cord Lock

PHONE: 1-800-822-7467

FAX: 847-647-0534

E-MAIL: sales@hescoinc.com

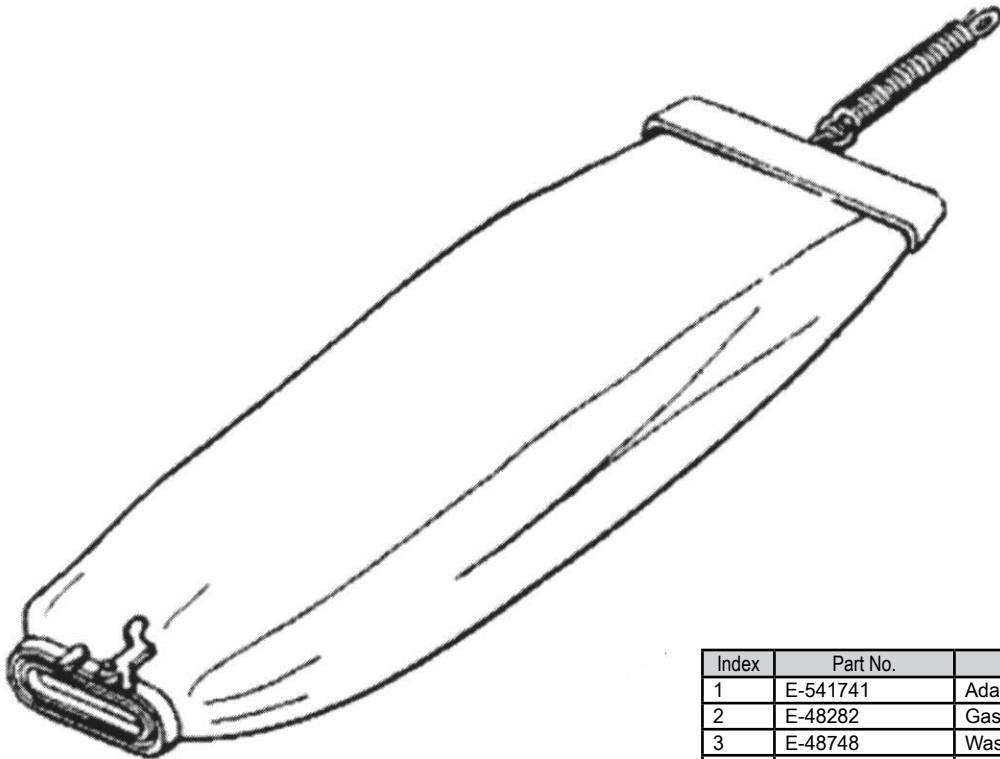
WEB: hescoinc.com

COMMERCIAL UPRIGHTS

Models: SC881A

SC Series

BAG



Index	Part No.	Description
1	E-541741	Adapter (bag)
2	E-48282	Gasket (bag adapter)
3	E-48748	Washer
4	E-48749	Rivet
5	E-49461B3	Hardware
6	E-30599D10	Clip (bag)
7	E-47722	Spring
8	E-545824	Bag Assembly