

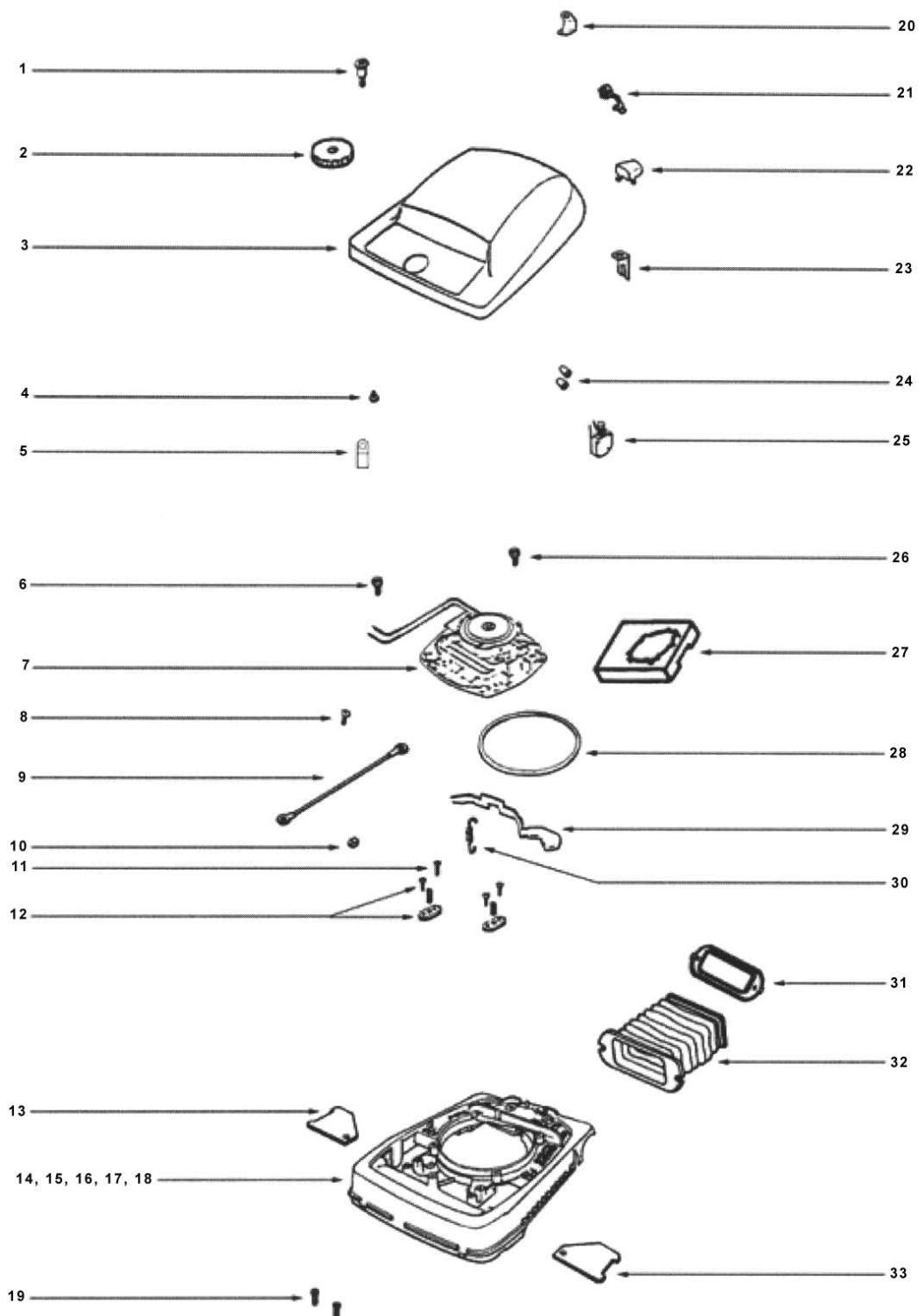
COMMERCIAL UPRIGHTS

Sanitaire

Models: SC689A

SC Series

BASE AND HOOD



COMMERCIAL UPRIGHTS

Sanitaire

Models: SC689A

SC Series

BASE AND HOOD

Index	Part No.	Description
1	E-53143	Screw package (10)
2	E-380532	Knob Assembly
3	E-543142	Hood & Graphic Assembly
4	E-5323811	Screw Package
5	E-576871	Clamp (cable)
6	E-5323814	Screw package
7	E-533498	Motor Assembly
8	E-532282	Screw package (10)
9	E-55296	Wire & Terminal Assembly
10	E-532135	Nut (package 10)
11	E-5323813	Screw package
12	E-53140	Clamp & Screw Assembly Package
13	E-36263	Cover (wheel)
14	E-544085	Base Assembly (12")
15	E-24964A1	Cam (right)
16	E-24965A1	Cam (left)
17	E-53118	Rivet (shoulder package)
18	E-53133	Washer (package)
19	E-532155	Screw (package 10)
20	E-382181	Bracket (bushing)
21	E-53122	Strain Relief Bushing
22	E-146601	Switch Button
23	E-37989	Clip (switch)
24	E-601921	Wire Splice 5
25	E-137385	Switch Assembly
26	E-532384	Screw package
27	E-38314SV	Separator Assembly
28	E-30517	Gasket (motor seal)
29	E-248341	Foot pedal
30	E-53097	Foot Pedal Spring Package
31	E-382881	Clamp (bellows)
32	E-147631	Bellows

FURNITURE GUARD & BRUSHROLL

Index	Part No.	Description
1	E-285041	Furniture Guard
2	E-53121	Push Nut package
3	E-37183	Rear Axle
4	E-5323811	Screw package
5	E-35947A	Front Axle
6	E-26059A	Cover Cap
7	E-541041	Disturbulator Replacement
8	E-60161	Wheel & Axle Assembly
9	E-26242119N	Rear Wheel
10	E-53201	Axle Clamp packaged
11	E-530762	Spring & Axle package
12	E-35859A1	Front Wheel
13	E-52100A	Belt Package Assembly (upright)
14	E-38138	Cap & Bearing Assembly
15	E-259221	Bottom Plate Assembly

PHONE: 1-800-822-7467

FAX: 847-647-0534

E-MAIL: sales@hescoinc.com

WEB: hescoinc.com

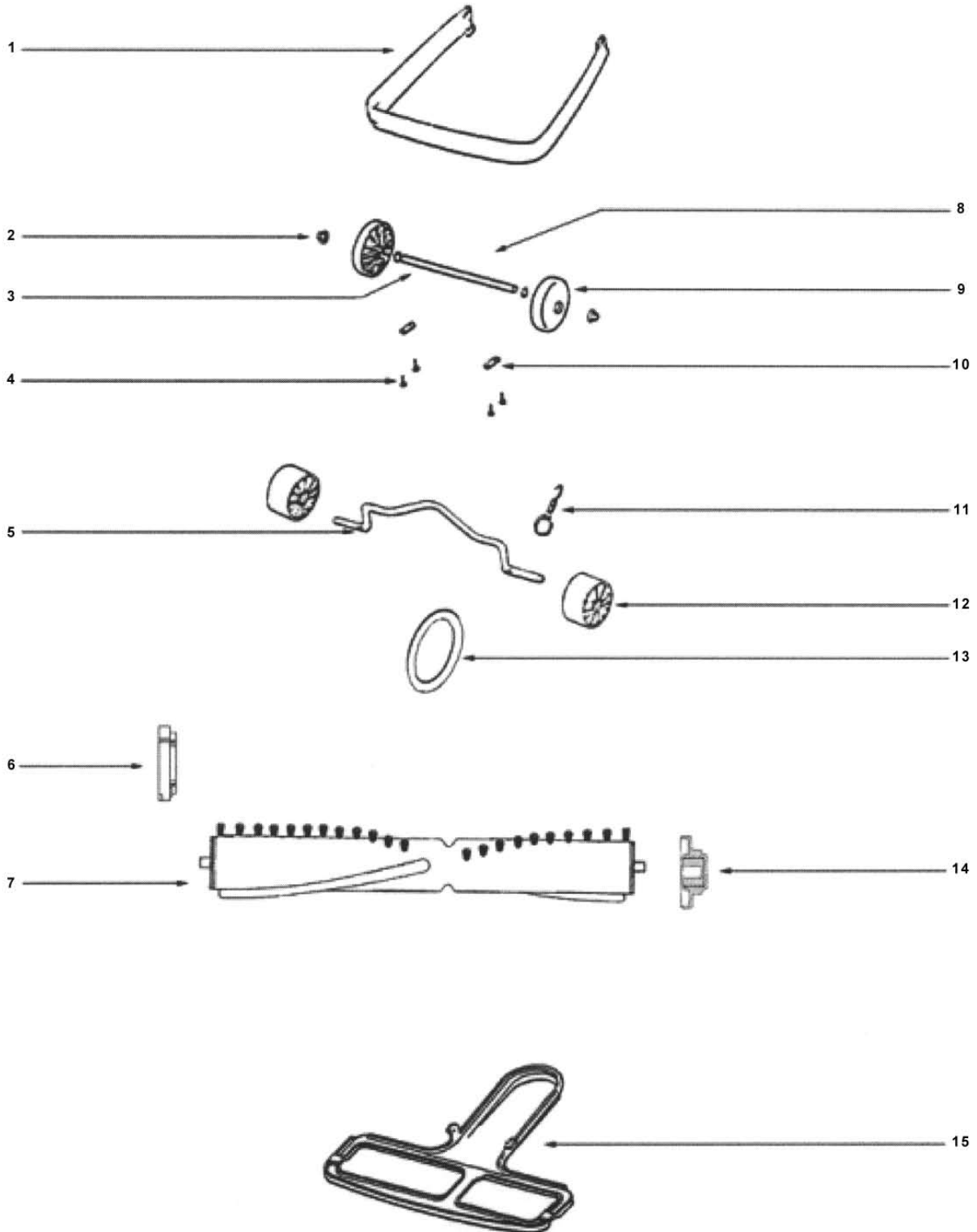
COMMERCIAL UPRIGHTS

Sanitaire

Models: SC689A

SC Series

FURNITURE GUARD & BRUSHROLL



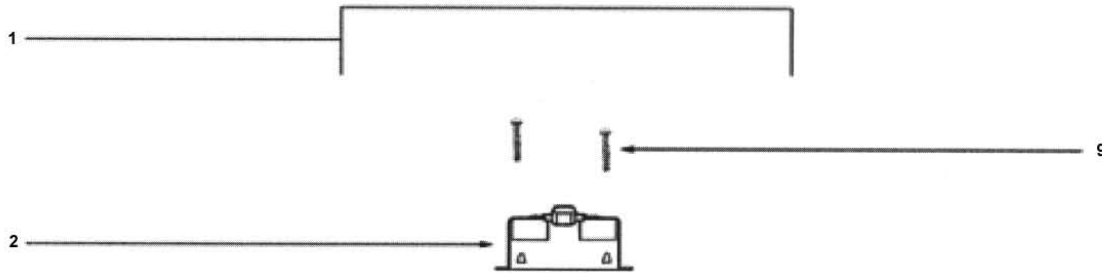
COMMERCIAL UPRIGHTS

Sanitaire

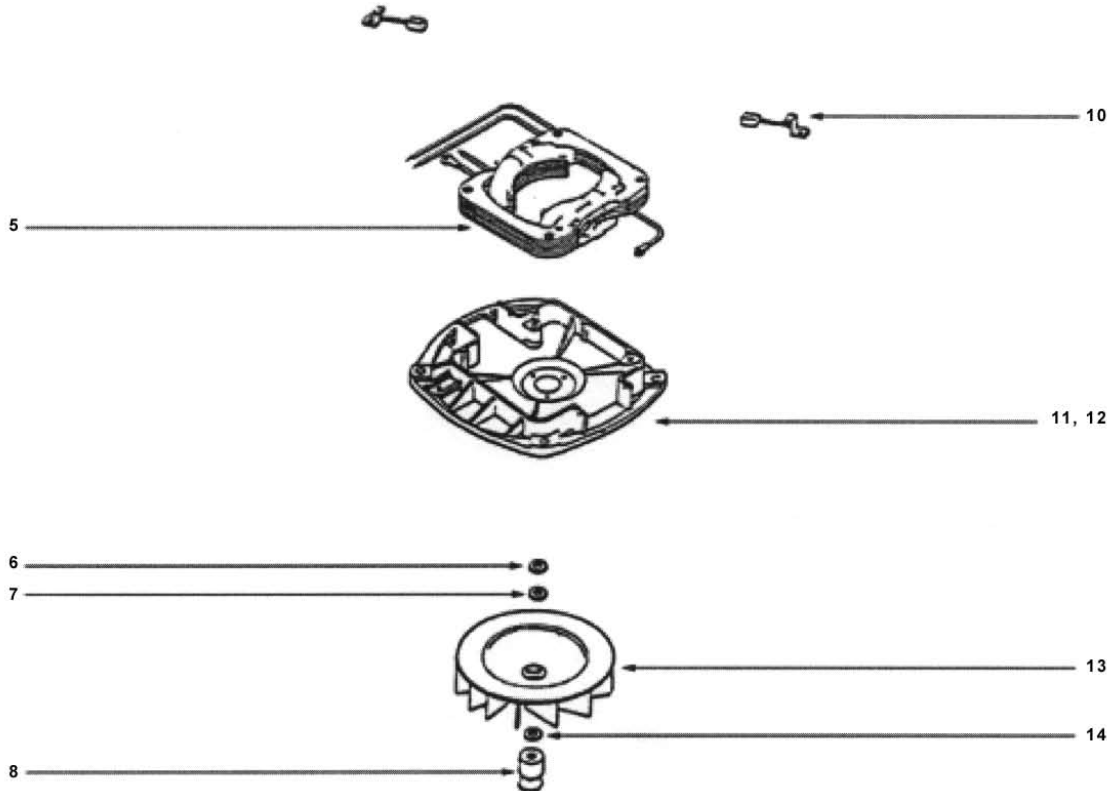
Models: SC689A

SC Series

MOTOR



Index	Part No.	Description
1	E-533498	Motor Assembly
2	E-54768	Fan End Housing
3	E-534703	Armature
4	E-26136	Fan
5	E-539012	Field Assembly (packaged)
6	E-54811	Fan Washer (packaged)
7	E-53148	Washer (fan package)
8	E-370122	Pulley (motor drive)
9	E-40009A	Lamp (headlight)
10	E-25172A1	Motor Brush Assembly
11	E-541711	Motor Base Assembly
12	E-530885	Ball Bearing (package)
13	E-129881	Fan Blower (motor)



COMMERCIAL UPRIGHTS

Sanitaire

Models: SC689A

SC Series

Index	Part No.	Description
1	E-535741	Retainer Package (upper/lower, beige)
2	E-531981	Handle Screw Assembly Assembly
3	E-158001	Handle Tube (lower)
4	E-5237014	Cord & Terminal Assembly
5	E-5323813	Screw package
6	E-381831SV	Handle Socket Assembly
7	E-532135	Nuts (package)
8	E-53145	Bolt package
9	E-352936	Handle Grip
10	E-53077	Spring (strain relief)
11	E-2532916SV	Handle Assembly (upper)
12	E-55015	Wire Clip

HANDLE & CORD

