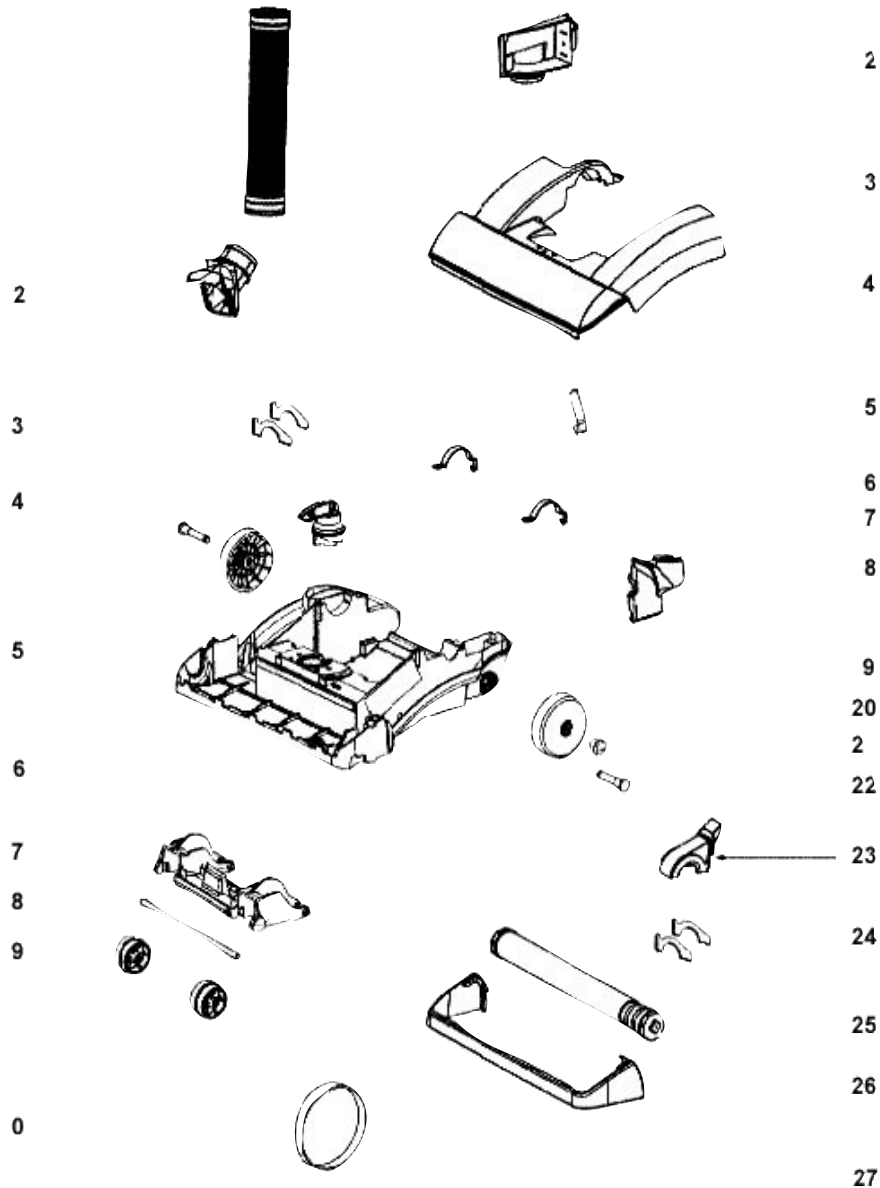


COMMERCIAL UPRIGHTS

Sanitaire HEPA

Models: SC5815A

SC Series-Powerhead



Index	Part No.	Description
1	E-72001	Base Hose Assembly
2	E-71447119N	Base Hose Assembly
3	E-73153	Felt-Base
4	E-71448355N	Knob-Height Adjustment
5	E-6187710	Base Assembly-Packaged
6	E-54943	Spring Package
7	E-71447119N	Carriage-Wheel
8	E-71478	Axle-Front
9	E-39173A119N	Wheel-Front
10	E-61120A	Belt Package Assembly (U Extended)
12	E-71726119N	Base Hose Assembly
13	E-5323844	Screw Package
14	E-6187819	Hood Assembly-Packaged

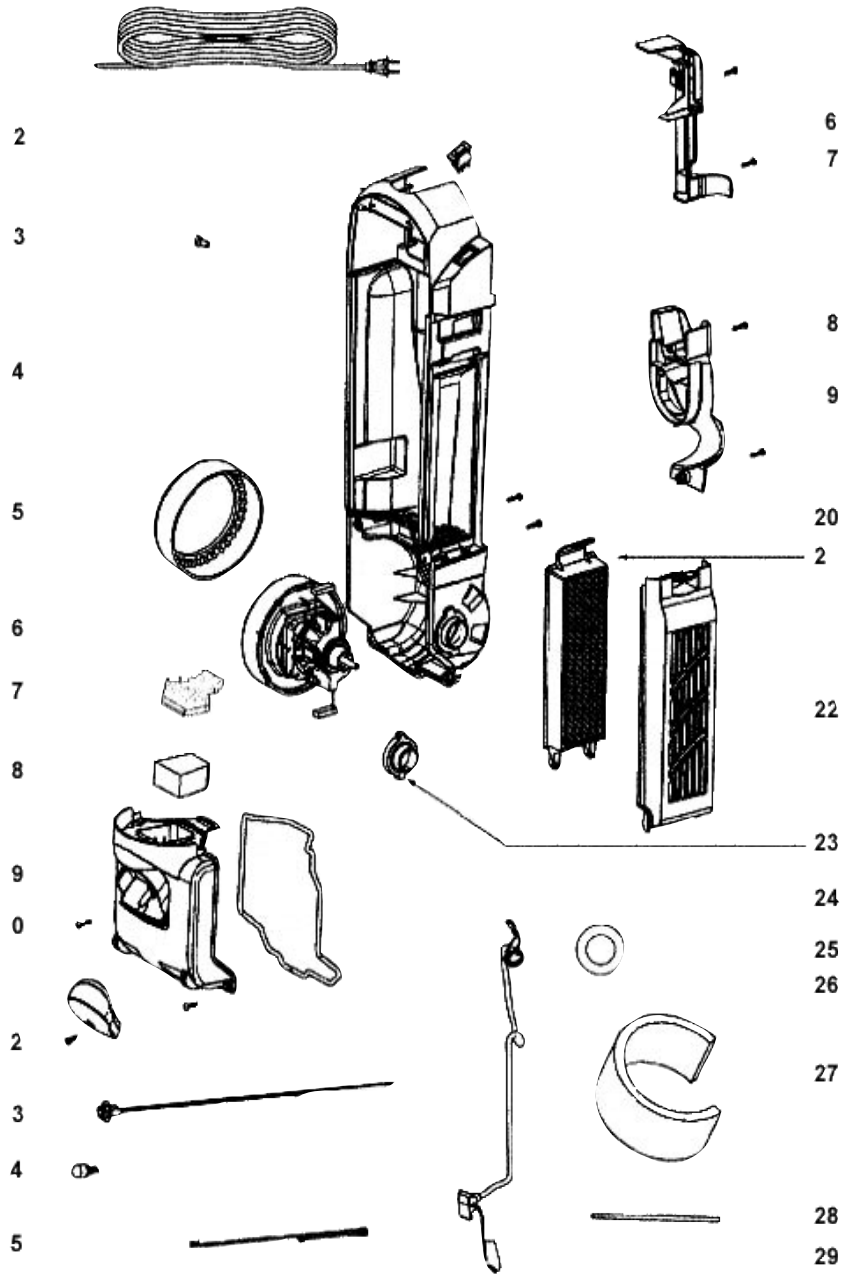
Index	Part No.	Description
15	E-71574	Spring-Handle Released
16	E-5323827	Screw Package
17	E-71487	Clamp-Motor
18	E-71457355N	Release-Handle
19	E-544322	Package-Retaining Ring
20	E-72117119N	Wheel-Rear
21	E-73432	Bushing-Axle
22	E-38590A	Axle-Rear
23	E-71741A	Belt Cap Assembly
24	E-73152	Felt-Belt Cap
25	E-622281	Brushroll Assembly-Cart
27	E-38063	Guard Belt

COMMERCIAL UPRIGHTS

Sanitaire HEPA

Models: SC5815A

SC Series-NOZZLE



Index	Part No.	Description
1	E-3868031	Supply Cord & Terminal Assembly
2	E-28073A	Switch-Rocker
3	E-601921	Wire Splice
4	E-717442	Rear Housing Assembly
5	E-71649	Gasket-Motor Can
6	E-6026110	Motor Assembly-Packaged
7	E-71851119N	Motor Screen
8	E-71480	Filter-Pre-motor
9	E-618793	Motor Cover Assembly-Packaged
11	E-71460313N	Lens-Headlamp
12	E-5323844	Screw Package
13	E-707012	Socket & Terminal Assembly
14	E-579403	Lamp-Headlight

Index	Part No.	Description
15	E-392521	Thermostat & Terminal Assembly
16	E-721271	Switch Cover Assembly
19	E-71445119N	Tool Pack-Lower
20	E-5322827	Screw Package
21	E-61840	Washable Hepa Filter
22	E-720065	Filter Cover & Graphics
23	E-70084	Bushing-Motor Support
24	E-71484	Gasket-Motor Cover
25	E-719691	Gasket-Motor Hub
26	E-71465	Cord-Jumper
27	E-722241	Foam-Sound
28	E-706511	Tube-Flexible
29	E-72167	Plug

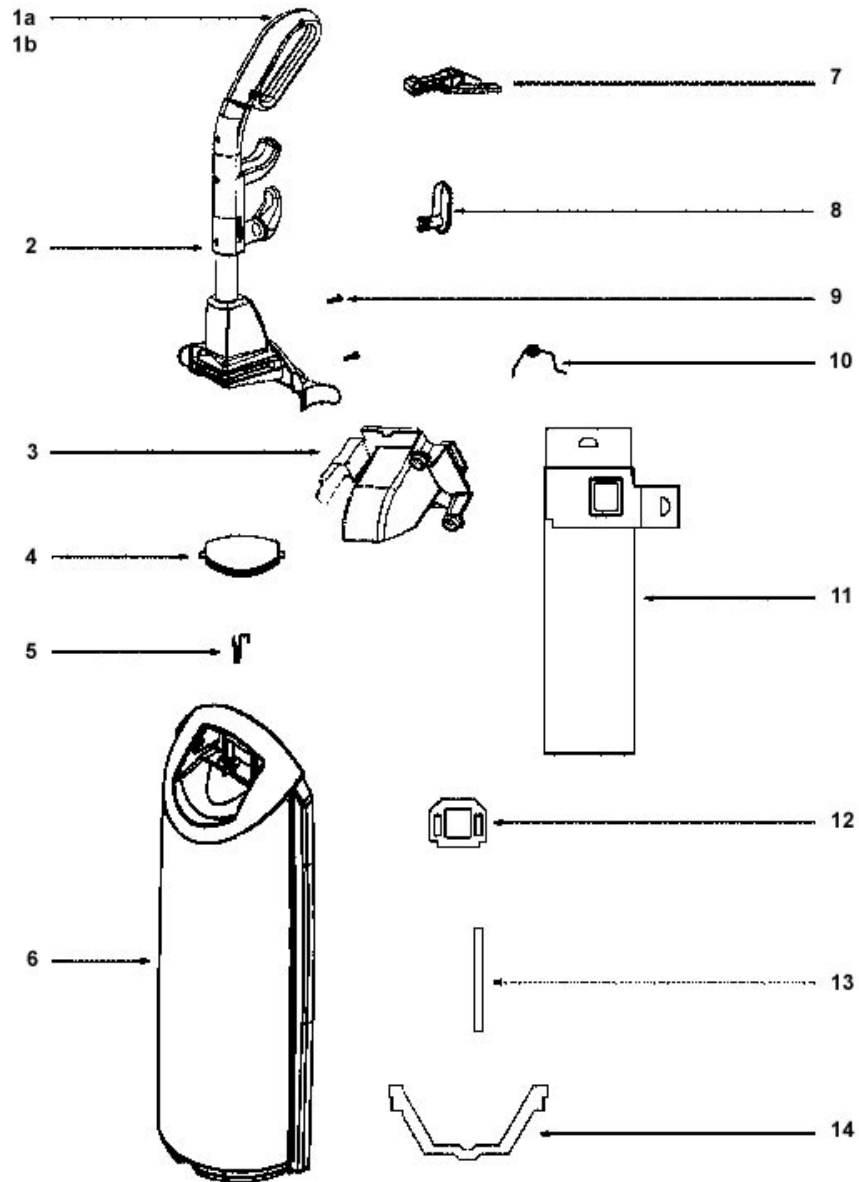
PHONE: 1-800-822-7467 FAX: 847-647-0534 E-MAIL: sales@hescoinc.com WEB: www.hescoinc.com

COMMERCIAL UPRIGHTS

Sanitaire HEPA

Models: SC5815A

SC Series-Handle & Bag Cover



Index	Part No.	Description
1	E-15596355N	Grip-Left Handle
1B	E-15597355N	Grip-Right Handle
2	E-731751SV	Upper Handle Assembly
3	E-71746119N	Adapter-Clip
5	E-71852	Spring-Torsion
6	E-618807	Bag Cover Assembly-Packaged
7	E-71747119N	Bag-In-Place Arm
8	E-28316355N	Retainer-Cord
9	E-5323844	Screw Package
10	E-71748	Spring-Torsion
11	E-61820	Paper Bag Package-Style
12	E-71854	Gasket-Adapter
13	E-71512	Gasket-Bag Cover
14	E-71765A	Gasket-Lower Bag
	E-71801A	Filter-Exhaust-Hepa

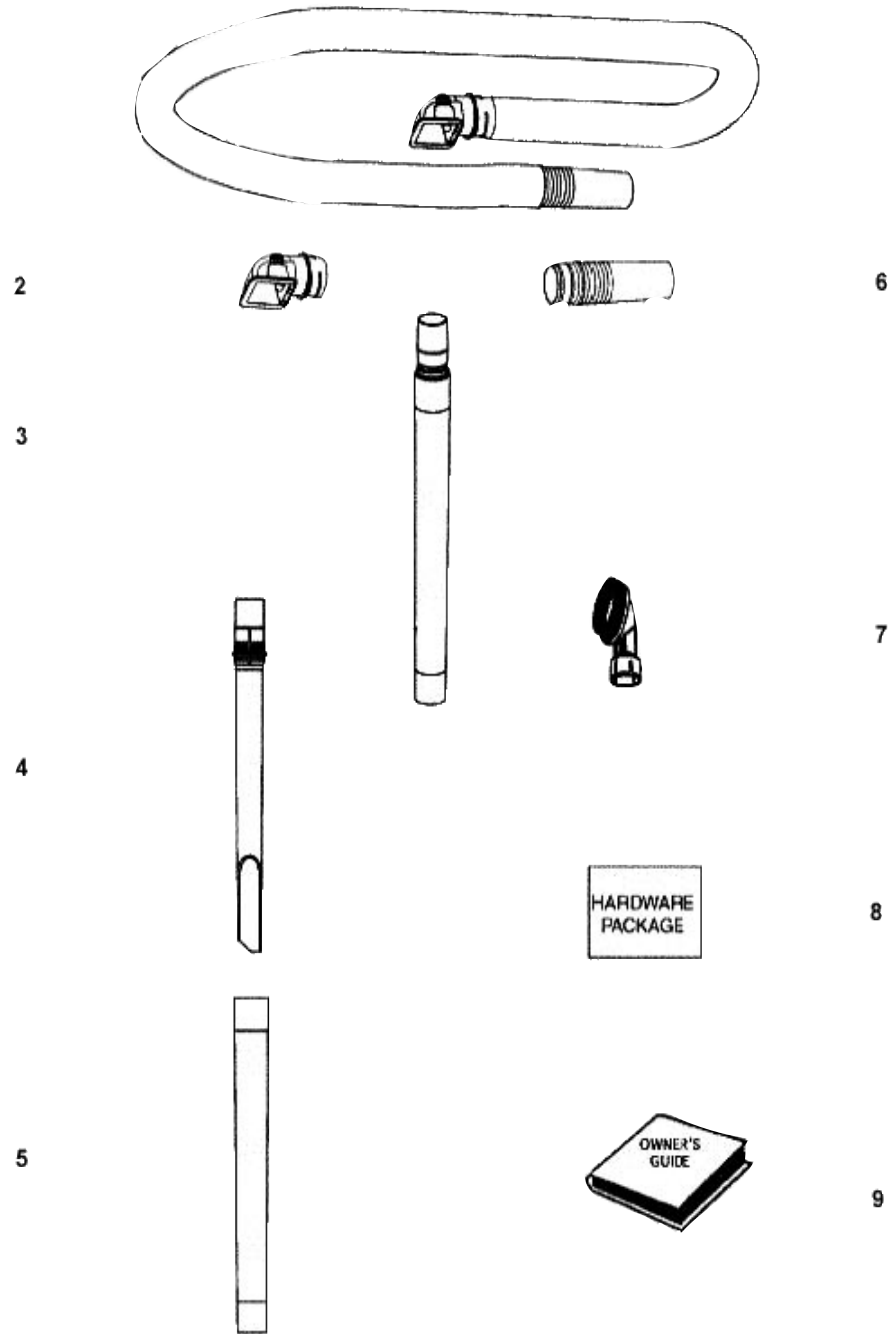
PHONE: 1-800-822-7467 FAX: 847-647-0534 E-MAIL: sales@hescoinc.com WEB: www.hescoinc.com

COMMERCIAL UPRIGHTS

Sanitaire HEPA

Models: SC5815A

SC Series-Accessories



Index	Part No.	Description
1	E-618654	Hose Assembly-CTND
2	E-71725313N	Adapter-Hose
3	E-71492A	Nesting Wand Assembly
4	E-71956A355N	Wand-Crevice
5	E-71973119N	Wand-Outer
6	E-70559A119N	Coupling-Hose
7	E-609902	Combination Brush Bristled
8	E-72322	Package-Hardware

PHONE: 1-800-822-7467 FAX: 847-647-0534 E-MAIL: sales@hescoinc.com WEB: www.hescoinc.com