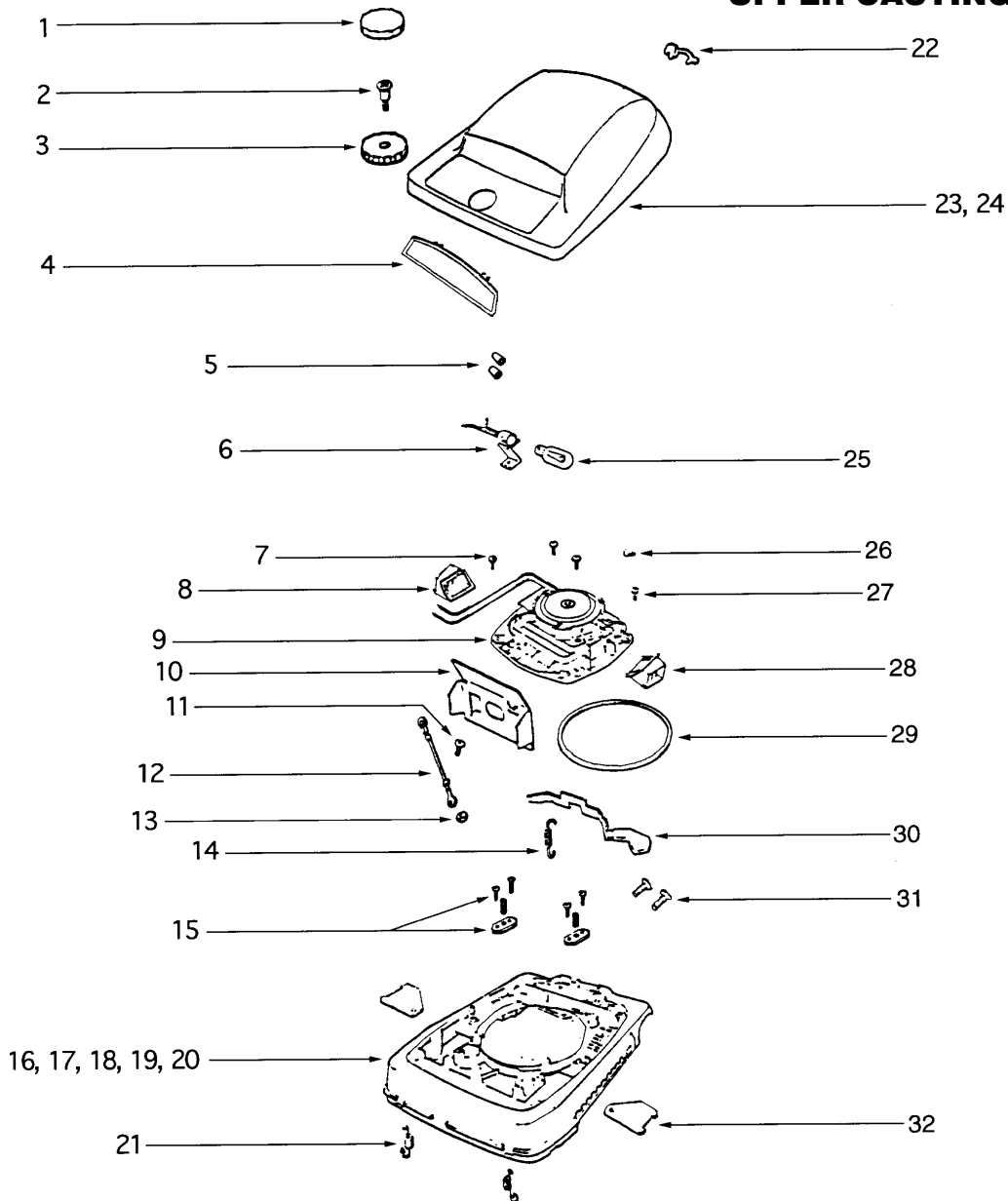


COMMERCIAL UPRIGHTS

Commercial
S Series

Models: S670A-1

UPPER CASTING ASSEMBLY



- | | | | | | | | | | |
|----|-------|-----------|-------|--------------------------------|----|-------|-----------|-------|--------------------------------|
| 1 | | E-380543 | | Grip assembly | 17 | | E-24964A1 | | Cam (R.H.) |
| 2 | | E-53143 | | screw, 10 pk | 18 | | E-24965A1 | | Cam (L.H.) |
| 3 | | E-143023 | | Knob | 19 | | E-53118 | | cam rivet, 10 pk |
| 4 | | E-126018 | | Lens | 20 | | E-53133 | | Washer, 10 pk |
| 5 | | E-601921 | | Wire splice, 5 pk | 21 | | E-53117 | | Hood spring, 10 pk |
| 6 | | E-35958A | | Headlight socket assembly | 22 | | E-530891 | | Strain relief bushing, 10 pk |
| 7 | | E-5323814 | | Motor mounting screw, 10 pk | 23 | | E-544074 | | Hood and nameplate |
| 8 | | E-56383SV | | Air inlet duct assembly (R.H.) | 24 | | E-39500 | | Nameplate |
| 9 | | E-543523 | | Motor assembly | 25 | | E-40009A | | Headlight |
| 10 | | E-25462A | | Light shield | 26 | | E-53160 | | Cable clamp, 5 pk |
| 11 | | E-532282 | | screw, 10 pk | 27 | | E-5323814 | | Motor screw, 10 pk |
| 12 | | E-55296 | | Wire and terminal assembly | 28 | | E-56382SV | | Air inlet duct assembly (L.H.) |
| 13 | | E-532135 | | Nut, 10 pk | 29 | | E-30517 | | Motor seal gasket |
| 14 | | E-53097 | | Foot pedal spring, 10 pk | 30 | | E-24834A3 | | Foot pedal |
| 15 | | E-53140 | | Clamp and screw assembly | 31 | | E-532282 | | screw, 10 pk |
| 16 | | E-544088 | | Base assembly | 32 | | E-36263 | | Wheel cover |

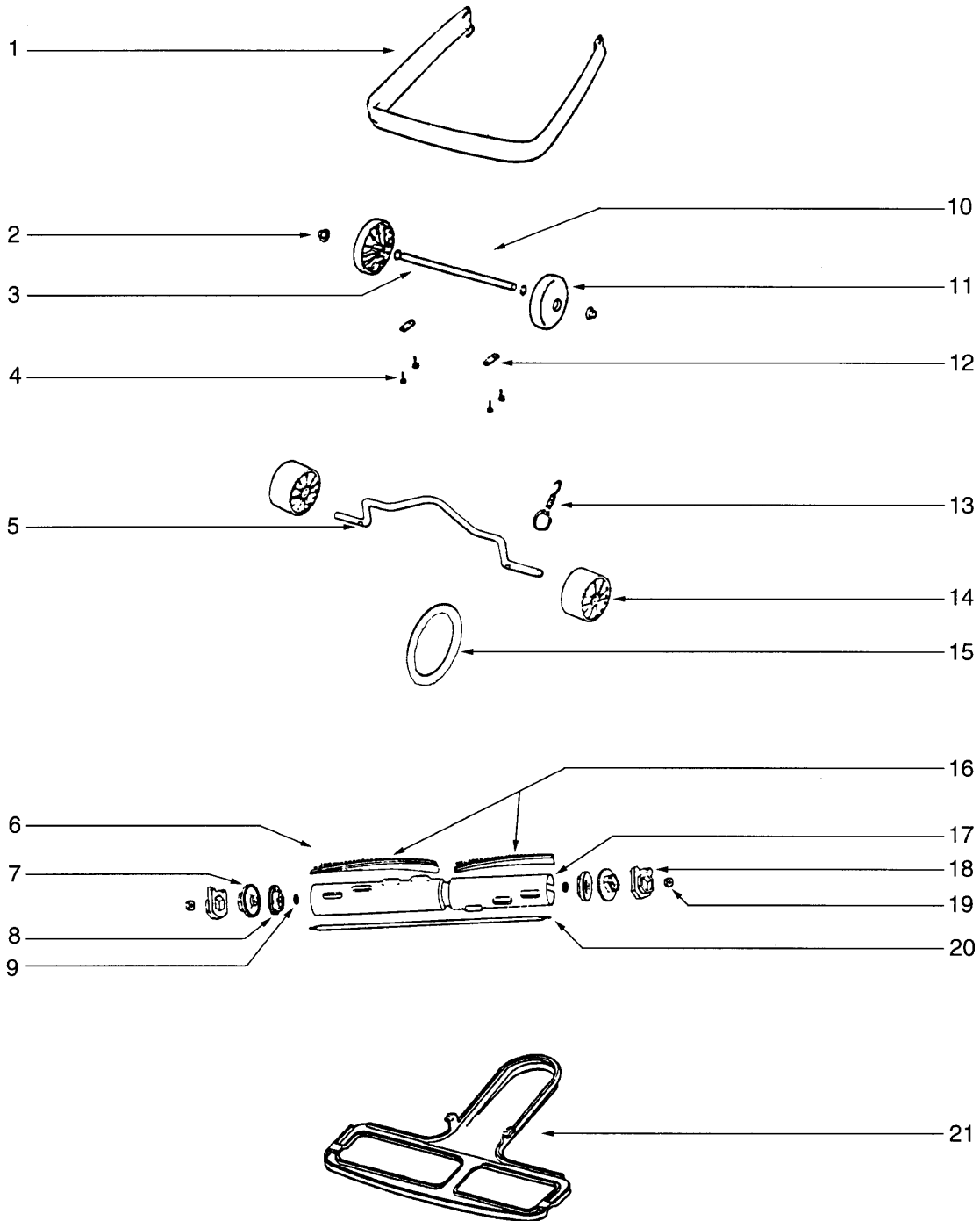
PHONE: 1-800-822-7467 FAX: 847-647-0534 E-MAIL: sales@hescoinc.com WEB: www.hescoinc.com

COMMERCIAL UPRIGHTS

Commercial
S Series

Models: S670A-1

LOWER CASTING ASSEMBLY



- 1 E-285041 Furniture guard
- 2 E-53121 Push nut, 10 pk
- 3 E-37183 Rear axle
- 4 E-5323811 Screw, 10 pk
- 5 E-35947A Front axle
- 6 E-53270 Disturbulator assembly
- 7 E-26057A Disturbulator cap
- 8 E-54256 Bearing and retainer assembly
- 9 E-53184 Klipring
- 10 E-60161 Wheel and axle assembly
- 11 E-26242119N Rear wheel

- 12 E-53201 Axle clamp, 10 pk
- 13 E-530762 Axle spring, 6 pk
- 14 E-35859A1 Front wheel
- 15 E-52100 Belt, 2 pk
- 16 E-522824 Bristle strip set
- 17 E-132363 Disturbulator tube
- 18 E-26059A Cap cover
- 19 E-53158 Nut, 10 pk
- 20 E-25937 shaft
- 21 E-259221 Bottom plate assembly

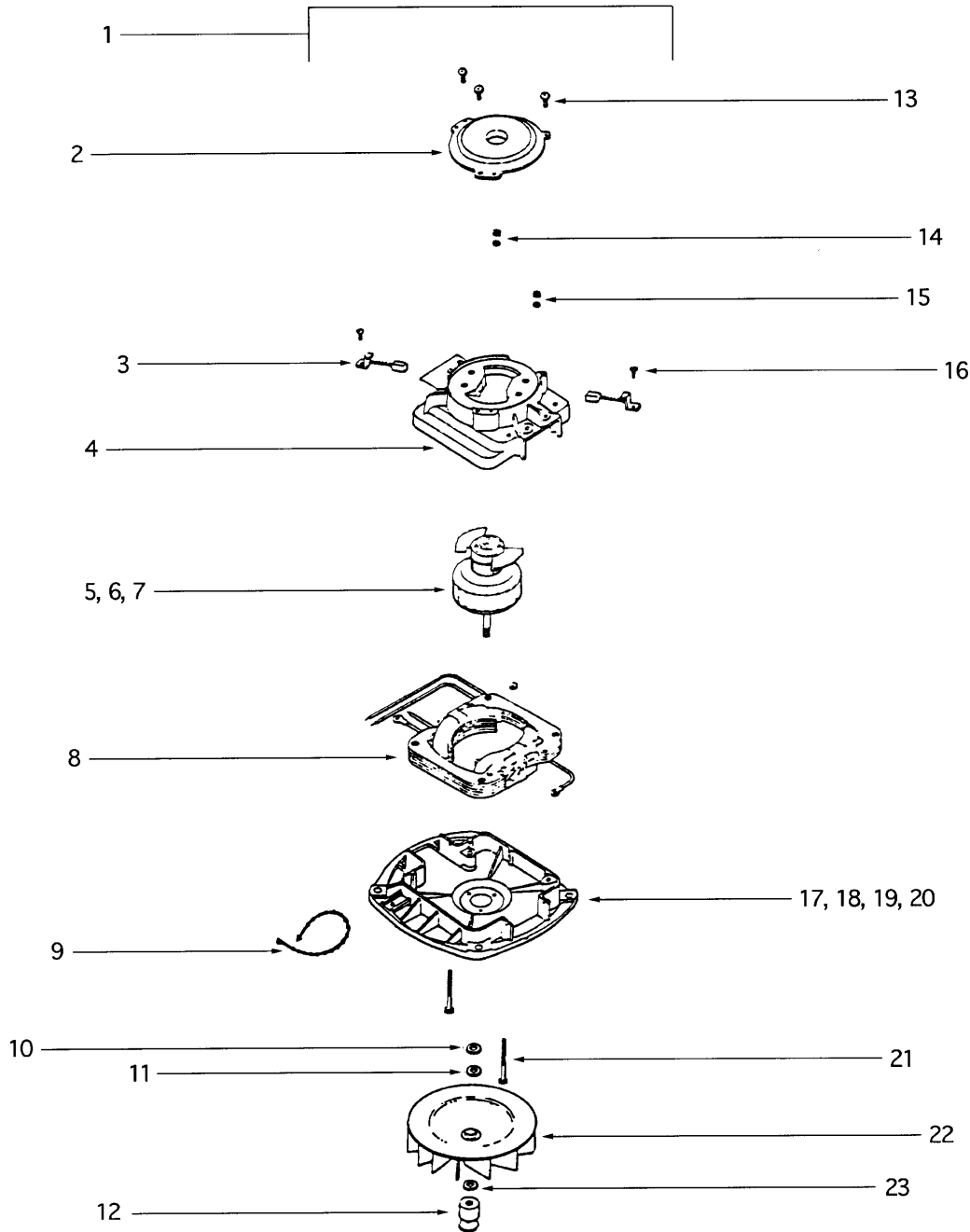
COMMERCIAL UPRIGHTS

Commercial

S Series

Models: S670A-1

MOTOR ASSEMBLY



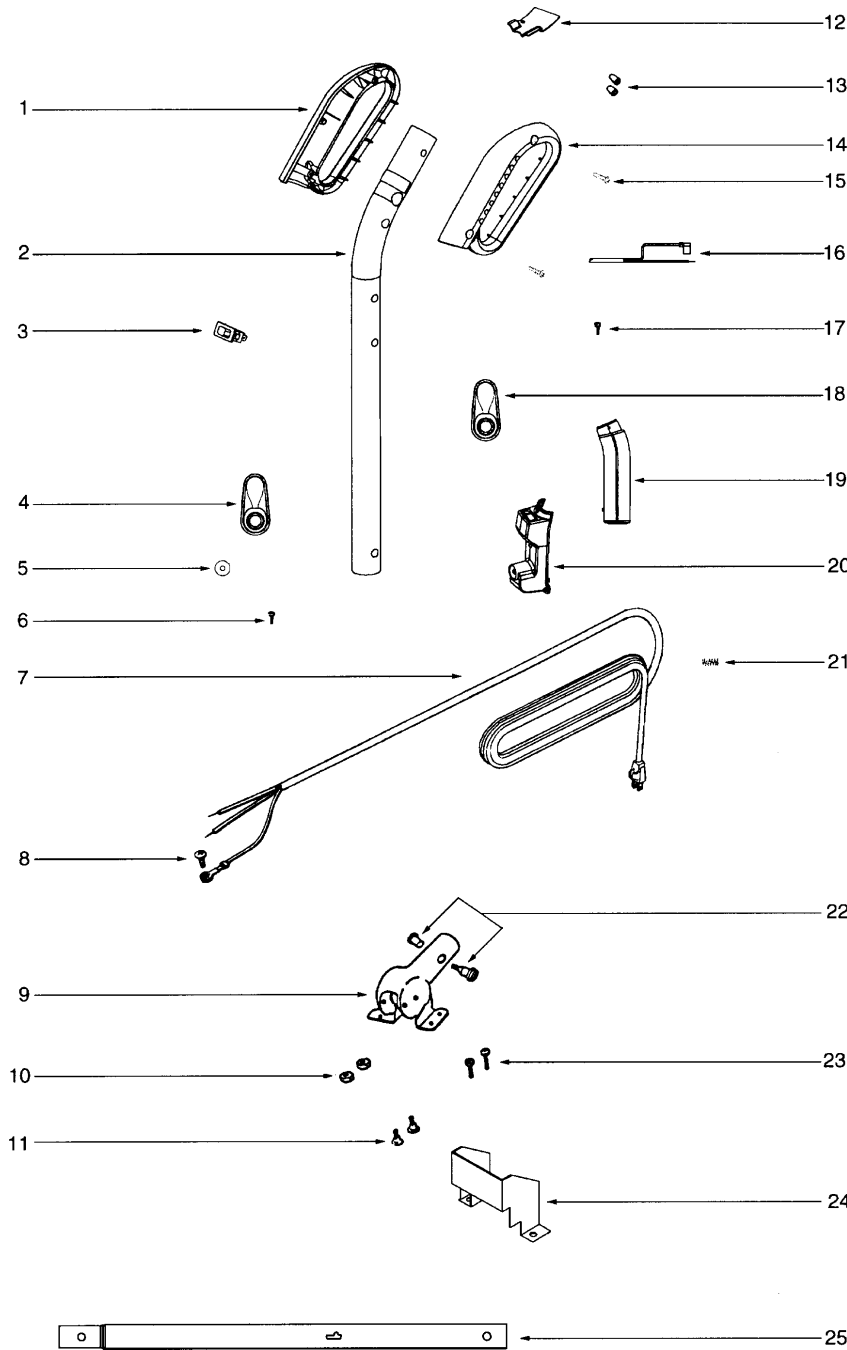
- | | | | | | |
|----------|----------------|-----------------------------------|----------|----------------|--------------------------|
| 1 | E-543523 | Motor assembly complete | 13 | E-53138 | Retainer screw, 10 pk |
| 2 | E-20217E | Retainer assembly | 14 | E-56817 | Hex nut |
| 3 | E-30478 | Motor brush assembly | 15 | E-532224 | Lock washer, 10 pk |
| 4 | E-54396 | Motor cover | 16 | E-532192 | Brush screw |
| 5 | E-544253 | Armature fan and bearing assembly | 17 | E-541691 | Motor base assembly |
| 6 | E-530885 | Bearing, 5 pk | 18 | E-20217E | Bearing retainer |
| 7 | E-30474A | Fan | 19 | E-530885 | bearing, 5 pk |
| 8 | E-534412 | Field assembly | 20 | E-531871 | Rivet, 10 pk |
| 9 | E-467131 | Cable tie | 21 | E-53142 | Orlo thread screw, 10 pk |
| 10 | E-54811 | Washer, 10 pk | 22 | E-12988 | Fan |
| 11 | E-53148 | Fan washer, 10 pk | 23 | E-53148 | Fan washer, 10 pk |
| 12 | E-370122 | Pulley | | | |

COMMERCIAL UPRIGHTS

**Commercial
S Series**

Models: S670A-1

HANDLE ASSEMBLY



- 1 E-15596288N Handle grip
- 2 E-28639 Upper handle tube
- 3 E-394551 Switch
- 4 E-28316288N Upper cord retainer
- 5 E-60946 Washer, 10 pk
- 6 E-60947 Screw, 10 pk
- 7 E-3868025 Supply cord
- 8 E-5323813 screw, 10 pk
- 9 E-381831SV Handle socket assembly
- 10 E-532135 Nut, 10 pk
- 11 E-53145 Bolt, 10 pk
- 12 E-59741316N Wiring shield
- 13 E-601921 Wire splice, 5 pk

- 14 E-15597288N Handle grip (R.H.)
- 15 E-531971 Screw, 10 pk
- 16 E-280116 Upper cord
- 17 E-5323818 Screw, 10 pk
- 18 E-135212 Lower cord retainer
- 19 E-02349A288N Switch housing (R.H.)
- 20 E-39513288N Switch housing (L.H.)
- 21 E-60945 Spring, 10 pk
- 22 E-531981 Screw, and nut assembly, 6 pk
- 23 E-5323813 Screw, 10 pk
- 24 E-36439 Handle socket shield
- 25 E-126378 Lower handle tube

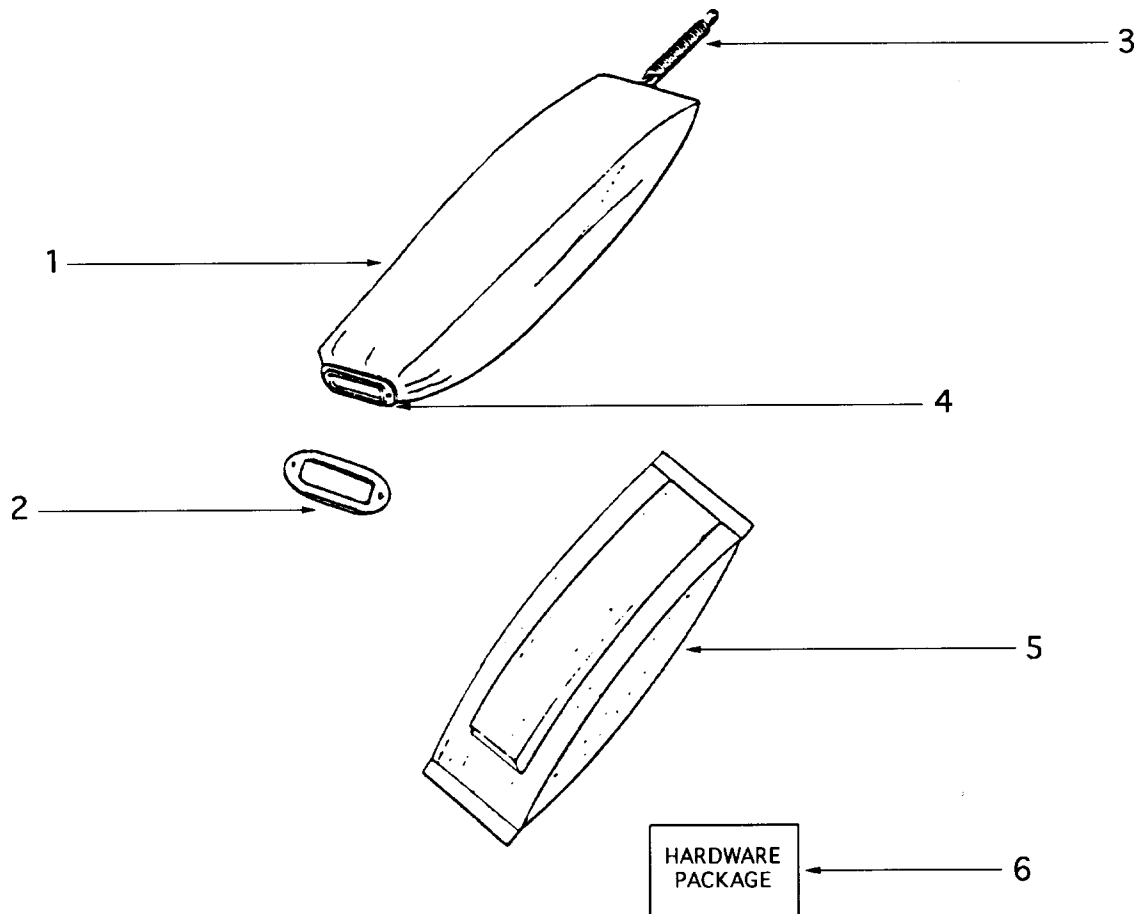
COMMERCIAL UPRIGHTS

Commercial

S Series

ATTACHMENTS

Models: S670A-1



- 1 E-5346920 Bag assembly
- 2 E-36968 Gasket
- 3 E-48410 Bag spring
- 4 E-541752 Adapter, sleeve and gasket assembly
- 5 E-52320 Disposable dust bags, style F and G, 3 pk
- 6 E-719711 Hardware package