

EUREKA UPRIGHTS

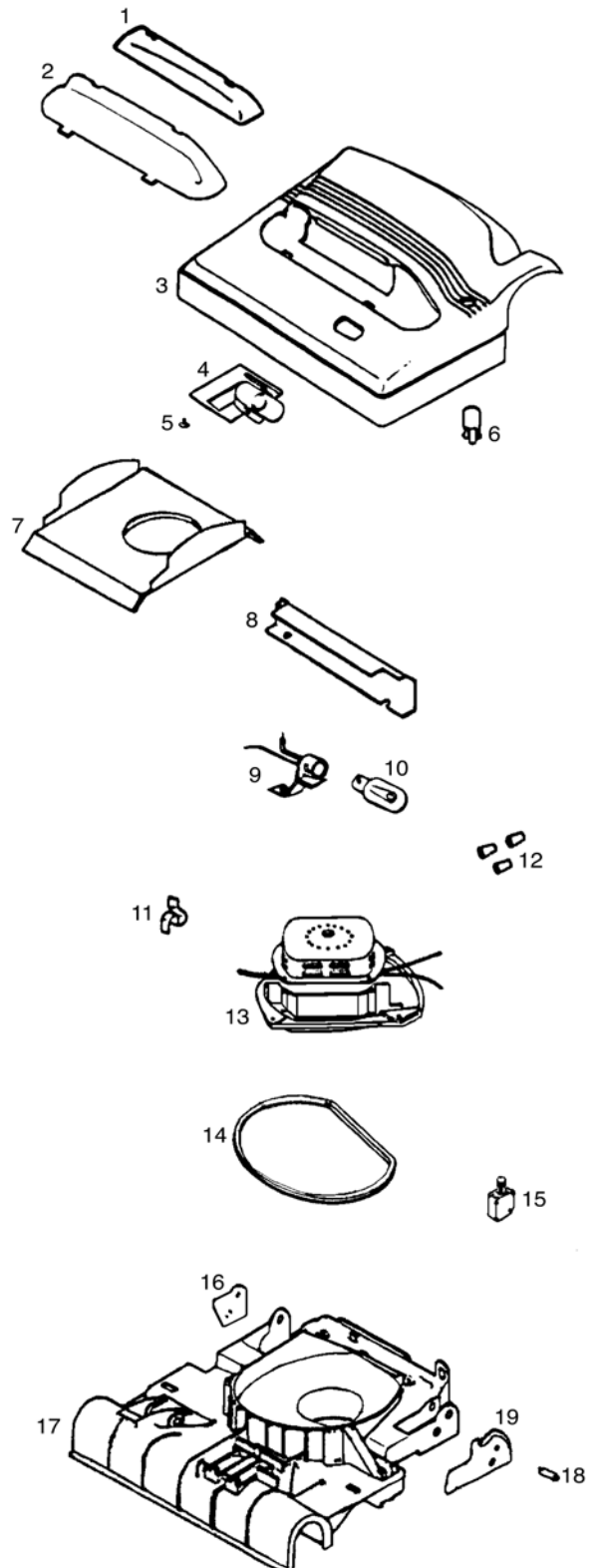
7000 Series

UPPER CASTING ASSEMBLY

Ultra

Models: 7440A, 7441A, 7450A/B, 7520A, 7522A, 7525A/B, 7527A, 7528A/B, 7529A, 7534A, 7545A, 7550A, 7554A, 7560A, 7565A, 7570A, 7575A/B/D, 7577A/B/BT/D/DT, 7579A, 7585B, 7587A

- 1.....E-373131.....Lens Shield
- 1.....E-264851.....Lens Shield, 7527A,7529A,7545A,7554A,
7577D/DT,7579A,7587A
- N/A.....Lens Tape
- 2.....N/A.....Hood Lens
- 2.....E-139191.....Hood Lens, 7529A,7545A,7577B/BT/D/DT,7579A
- 2.....N/A.....Hood Lens, 7554A
- 3.....E-542761.....Hood Assembly, frost white, 7441A
- 3.....E-373681.....Hood Assembly, misty blue, 7520A
- 3.....E-541085.....Hood Assembly, 7522A,7527A,7528B,7577A
- 3.....E-374741.....Hood Assembly, misty blue, 7525A/B,7528A
- 3.....E-5399911.....Hood Assembly, 7529A,7545A,7554A,
7577B/BT/D/DT,7579A
- 3.....E-539999.....Hood Assembly, 7534A
- 3.....N/A.....Hood Assembly, 7550A
- 3.....E-373682.....Hood Assembly, wheat, 7560A
- 3.....N/A.....Hood Assembly, wheat, 7565A
- 3.....N/A.....Hood Assembly, buckskin, 7575A/B
- 3.....E-5399911.....Hood Assembly, 7579A
- 3.....E-537455.....Hood Assembly, red, 7587A
- 4.....E-139214.....Bleeder Shoe, 7522A,7528A/B,7565A,7575B,
7577A,7585B
- 4.....E-139231.....Bleeder Shoe, 7527A,7529A,7534A,7545A,7554A,
7577B/BT/D/DT,7579A
- 4.....N/A.....Bleeder Shoe, 7550A
- 5.....E-54383.....Push Nut
- 6.....N/A.....Switch Button
- 6.....N/A.....Switch Button, 7527A,7529A,7534A,7545A,7554A,
7577B/BT/D/DT,7579A
- E-5323813.....Screw
- E-5323814.....Screw
- 7.....N/A.....Air Separator
- 8.....N/A.....Headlamp Shield
- 8.....E-26594A.....Headlamp Shield, 7527A,7529A,7545A,7554A,
7577B/BT/D/DT,7579A
- 9.....E-36722.....Headlamp Socket Assembly
- 10.....E-48815.....Headlight Bulb
- 11.....E-46713.....Wire Clip
- 11.....E-55015.....Wire Clip
- 12.....E-601921.....Wire Nut, 10 pack
- 13.....E-54773.....Motor Assembly
- 13.....E-533493.....Motor Assembly, 7440A,7441A,7450B
- 13.....E-533497.....Motor Assembly, 7450A
- 13.....N/A.....Motor Assembly, 7585B
- 14.....E-30517.....Motor Seal Gasket
- 15.....E-137385.....Switch Assembly, push type, flat side
- 16.....N/A.....Retainer Bracket
- 17.....E-540441.....Base Assembly, black
- 17.....E-562741.....Base Assembly, black, 7440A,7441A,7450A/B
- 18.....E-53205.....Yoke Pin
- 19.....E-26269.....Bracket, foot pedal



EUREKA UPRIGHTS

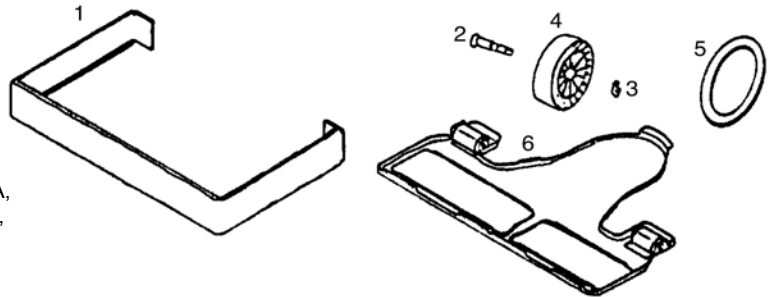
7000 Series

LOWER CASTING, HANDLE & BAG ASSEMBLY

Ultra

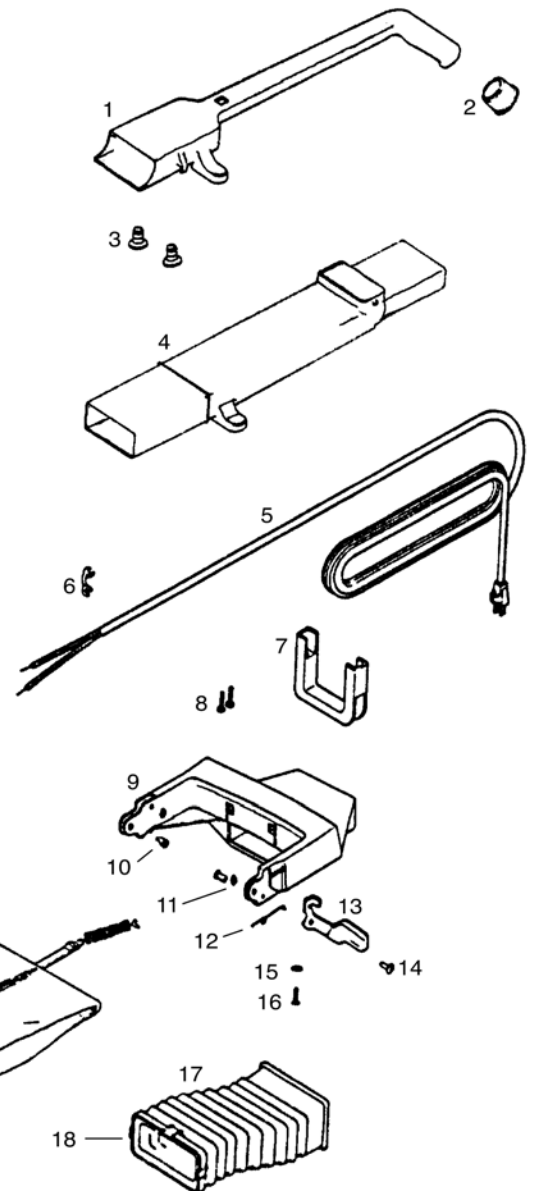
Models: 7440A, 7441A, 7450A/B, 7520A, 7522A, 7525A/B, 7527A, 7528A/B, 7529A, 7534A, 7545A, 7550A, 7554A, 7560A, 7565A, 7570A, 7575A/B/D, 7577A/B/BT/D/DT, 7579A, 7585B, 7587A

- 1.....E-263132.....Furniture Guard
- 2.....E-37226.....Axle
- 3.....E-55684.....Pronglock Retainer
- 4.....E-262703.....Rear Wheel
- 5.....E-30563A.....Belt, sold each
- 6.....E-13819A.....Bottom Plate
 - N/A.....Brush Roll, complete, 12", wood, 7441A
 - E-534021.....Brush Roll, complete, 12", VG2, 7522A,7527A, 7528A,7529A,7534A,7545A,7550A,7554A, 7575B/D,7577A/B/BT/D/DT,7579A



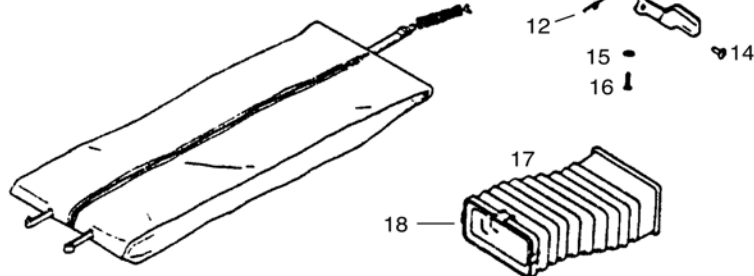
HANDLE & BAG ASSEMBLY

- 1.....N/A.....Upper Handle Assy
- 1.....E-564553.....Upper Handle Assy, 7585B,7587A
- 2.....E-368735.....Cap
- 3.....N/A.....Snap Pin, 5 pk, java
- 3.....E-530804.....Snap Pin, 5 pk, 7441A,7528A,7545A,7550A,7575B, 7577A
- 3.....E-530801.....Snap Pin, 7450A/B,7565A
- 4.....E-01465B3.....Lower Handle Assy
- 5.....N/A.....Cord
- 5.....NLA.....Cord, 7529A,7534A,7550A,7554A,7575B/D,7577A/B/BT/D/DT,7579A
- 5.....N/A.....Cord, 7585B
- 5.....E-3605010.....Cord, 7587A
- 6.....SS-34.....Strain Relief Bushing
- 7.....E-266763.....Handle
- 8.....E-5323814.....Screw, 10 pk
- 9.....E-01456A3.....Yoke
 - E-53209.....Bearing
 - E-37316.....Tension Bar
 - E-53206.....Push-On Nut, tension bar
- 10.....N/A.....Push-On Nut
- 11.....N/A.....Yoke Bushing
- 12.....N/A.....Spring, foot pedal
- 13.....N/A.....Foot Pedal
- 14.....E-53202.....Pin, foot pedal
- 15.....E-53212.....Washer
- 16.....E-5323811.....Screw
- 17.....NLA.....Bellows
- 18.....E-262662.....Clamp
 - E-360564.....Rocker Switch, 7585B
 - N/A.....Rocker Switch, 7587A
 - E-28013119N.....Cord Retainer Release, 7585B,7587A
 - E-138282.....Handle Cover, 7585A,7587A
 - E-56086.....Switch Insulator, 7585B,7587A
 - N/A.....Wiring Cap, 7585B,7587A



BAG ASSEMBLY

- N/A.....Bag Assembly, ghost grey, "EUREKA"
- E-53086.....Spring, 5 pack
- E-37318B2.....Bag Strap
- N/A.....Bag Cap
- E-26272.....Insert
- E-52339.....Paper Bag, 3 pack



PHONE: 1-800-822-7467

FAX: 847-647-0534

E-MAIL: sales@hescoinc.com

WEB: hescoinc.com