

EUREKA UPRIGHTS

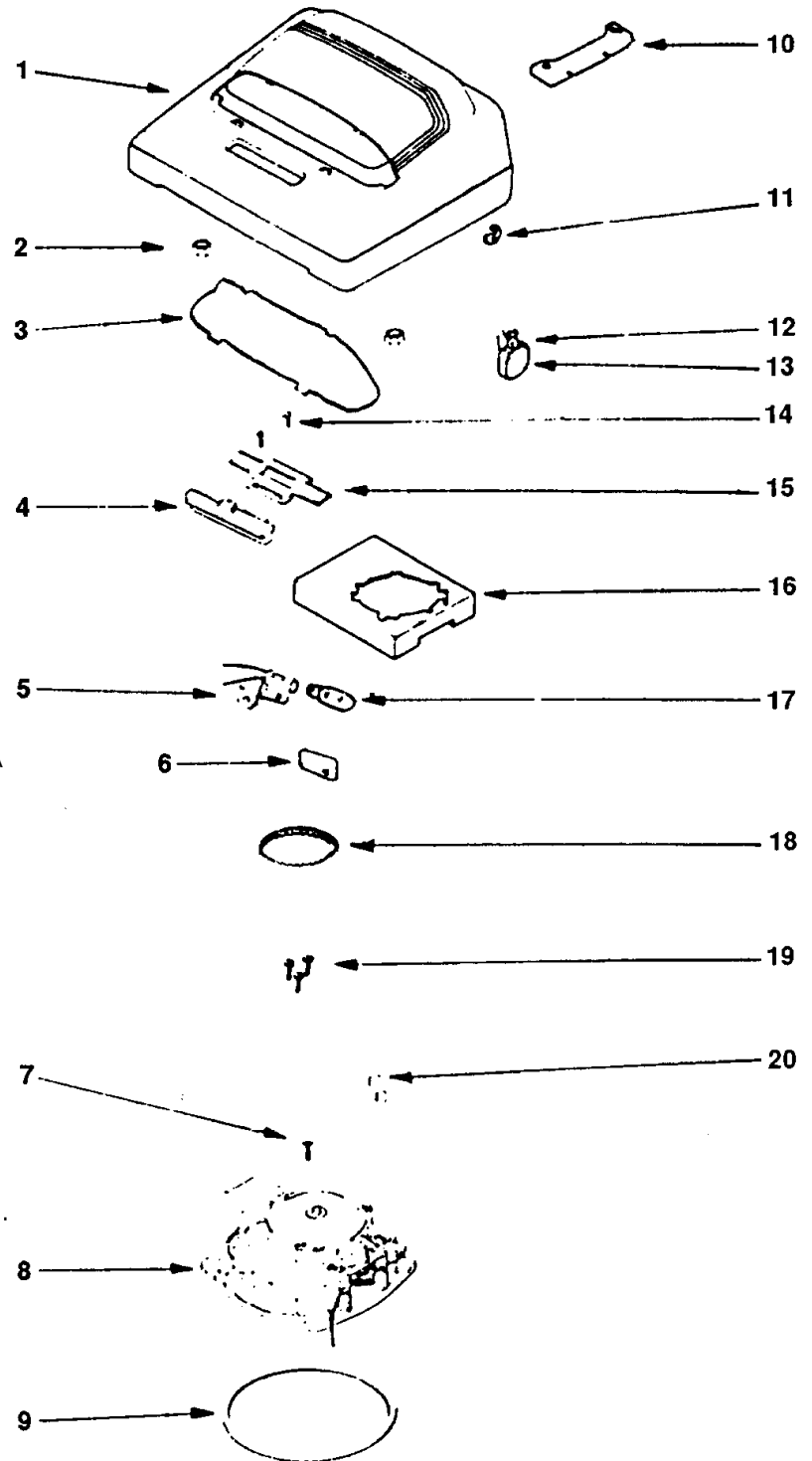
5100 Series

HOOD ASSEMBLY

The Boss Self-Propelled / Precision

Models: 5134A, 5134B (Boss), 5150A, 5175A (Precision)

- 1.....N/AHood & Graphics Assy, 5134A
- 1.....E-539037.....Hood & Graphics Assy, 5134B
- 1.....N/AHood & Graphics Assy, 5150A
- 1.....N/AHood & Graphics Assy, 5175A
- N/ALens Tape
- 2.....E-53424.....On-ert, 10 pk, 2 used
- 3.....N/ALens & Graphics Assy, 5134A/B
- 3.....N/AHood Lens, 5134B, 5150A, 5175A
- 4.....N/AAdjustment Slide
- 5.....E-36722.....Headlamp Socket Assy
- 6.....N/AReflector
- 7.....E-5323813.....Screw, 10 pk, 2 used
- 8.....E-543535.....Motor Assy
- 8.....E-543531.....Motor Assy, 5134A
- 9.....E-30517.....Motor Seal Gasket
- 10.....E-37727.....Shield
- 11.....SS-34Bushing, sold ea (R)
- 12.....E-55446.....Switch Nut, 5134A
- 13.....E-137385.....Switch Assy, 5134A
- 14.....E-53147.....Screw, 10 pk, 2 used
- 15.....N/ASlide Cover, 5134A/B
- 15.....E-25729A6Slide Cover, 5150A, 5175A
- 16.....N/ASeparator Assy
- E-56947.....Foam Tape
- 17.....E-48815.....Headlight Lamp
- 18.....E-49727.....Drive Belt
- 19.....E-5323814.....Screw, 10 pk, 3 used
- 20.....E-601921.....Wire Nut, 5 pk, 3 used
- E-25534.....Motor Brush Shield, left, 5150A,5175A
- N/AMotor Brush Shield, right, 5150A,5175A



EUREKA UPRIGHTS

5100 Series

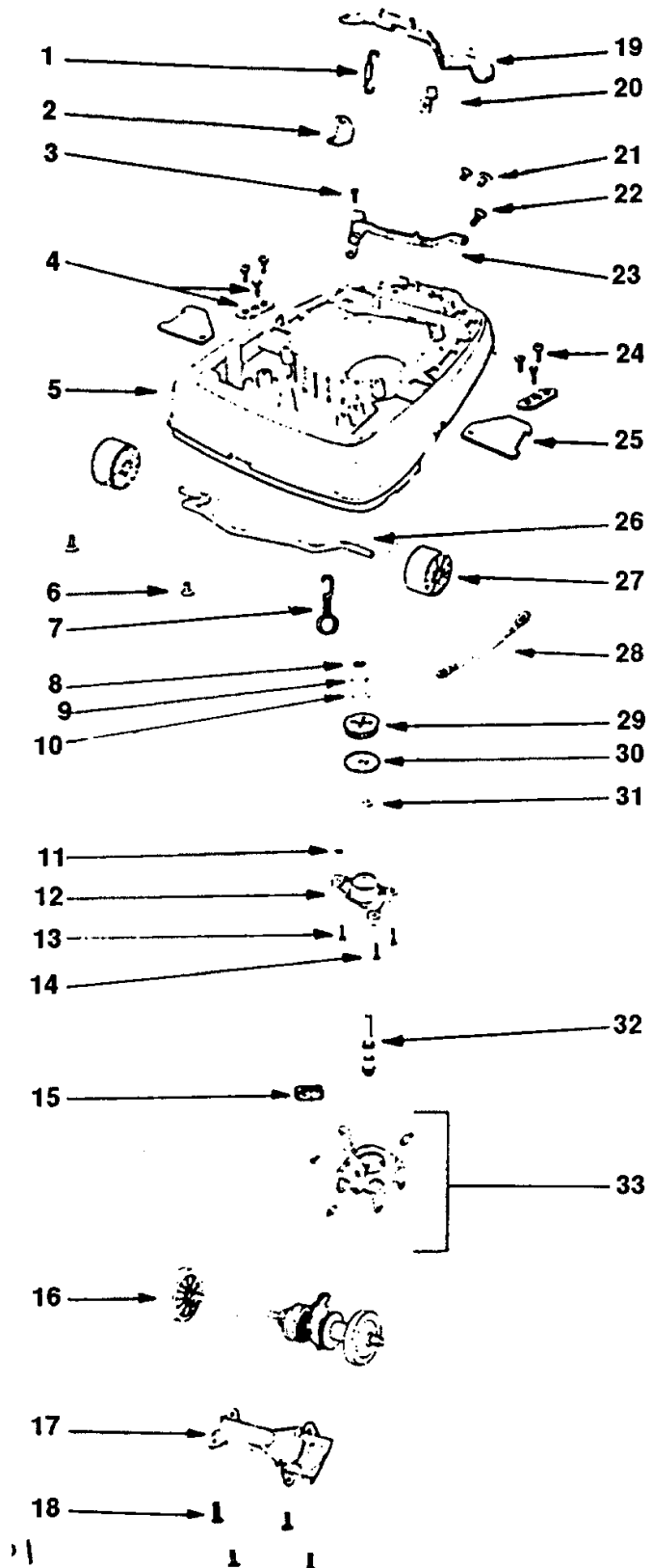
UPPER CASTING ASSEMBLY

The Boss Self-Propelled / Precision

Models: 5134A, 5134B (Boss), 5150A, 5175A (Precision)

- 1.....E-53097.....Foot Pedal Spring, 5 pk
- 2.....N/A.....Bushing Bracket
- 3.....E-53173.....Shoulder Screw, 10 pk
- 4.....E-53140.....Clamp & Screw Assy, 6 pk
- 5.....N/A.....Base & Pinion Assy
E-24964A1.....Cam, right side
E-24965A1.....Cam, left side
- E-53118.....Rivet, 10 pk
- E-53133.....Washer, 10 pk
- 6.....E-532373.....Screw, 10 pk
- 7.....E-530762.....Axle Spring, 6 pk
- 8.....E-543201.....Retainer Ring, 10 pk
- 9.....N/A.....Shim Washer, 10 pk
- 10.....E-53110.....Washer, 10 pk
- 11.....E-532135.....Nut, 10 pk
- 12.....E-54288.....Pinion Plate Assy
- 13.....N/A.....Screw, 10 pk
- 14.....N/A.....Screw, 10 pk
- 15.....E-36947.....Yoke Seal
- 16.....E-53463.....Gear & Axle Assy
- 17.....E-135071.....Axle Cover
- 18.....E-5323811.....Screw, 10 pk
- 19.....E-36707A.....Foot Pedal
- 20.....E-36842.....Retainer, pedal
- 21.....N/A.....Screw, 10 pk, 5134A/B
- 21.....E-532287.....Screw, 10 pk, 5150A,5175A
- 22.....E-53176.....Screw
- 23.....E-26154.....Linkage Assy
- 24.....E-5323814.....Screw, 10 pk
- 25.....E-36263.....Wheel Cover
- 26.....E-35947A.....Front Axle
- 27.....E-35859A1.....Front Wheel
- 28.....E-55296.....Wire & Terminal, 5134A/B
- 29.....E-36703.....Cog Pulley
- 30.....N/A.....Pulley Flange
- 31.....E-531701.....Spacer, 10 pk
- 32.....E-55276A.....Pinion Spacer Pkg
E-37066.....Pinion
E-531701.....Spacer, 10 pk
- 33.....E-55277.....Yoke Replacement
E-53193.....Yoke Screw
N/A.....Pivot Pin
N/A.....Yoke Assy

- E-37754.....Speed Control & Cover Assy, 5175A
- E-37741.....Speed Control Shield, 5175A
- E-266301.....Speed Control Assy, 5175A
- N/A.....Bracket & Cover Assy, 5175A



EUREKA UPRIGHTS

5100 Series

HARD SHELL & LOWER CASTING ASSEMBLY

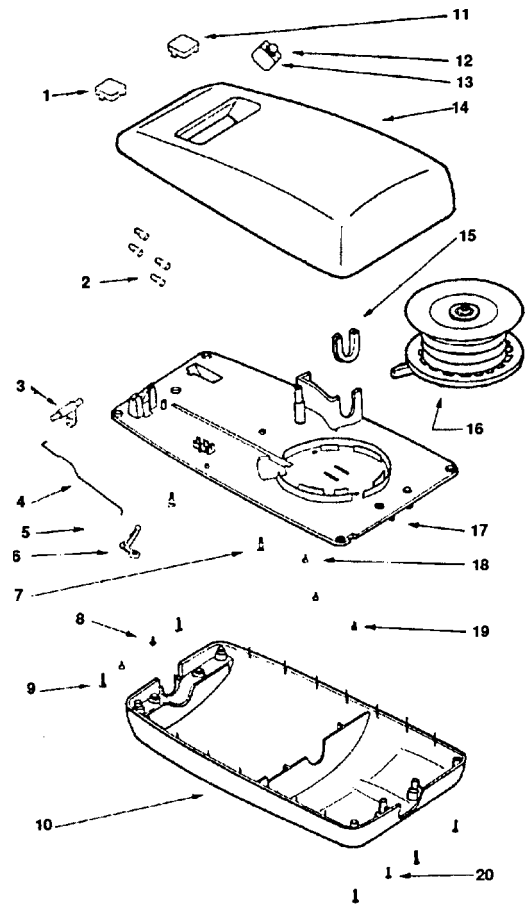
The Boss Self-Propelled / Precision

Models: 5134A, 5134B (Boss), 5150A, 5175A (Precision)

HARD SHELL (5150A, 5175A)

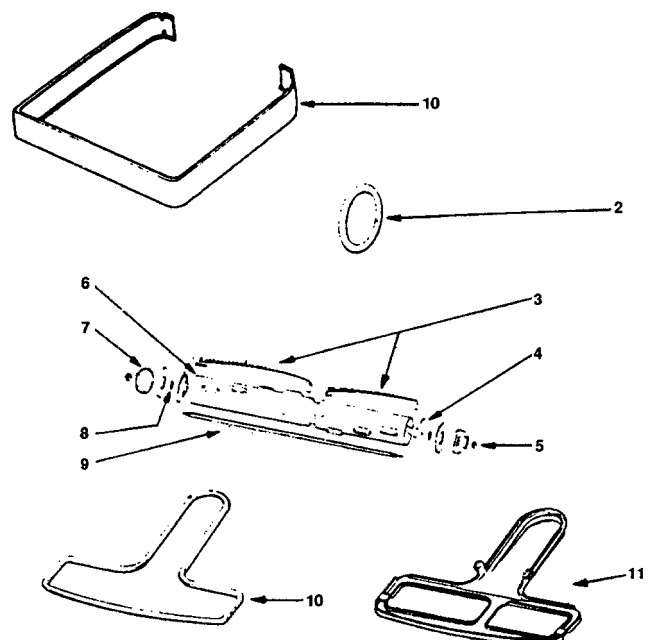
- 1.....N/A Cord Release Button
- 2.....E-601921..... Wire Nut, 10 pk
- 3.....E-37588..... Cord Release Actuator
- 4.....N/A Push Lever
- 5.....E-54383..... Push-On Nut, 10 pk
- 6.....E-37589..... Crank
- 7.....E-53291..... Screw
- 8.....E-531971..... Screw, 10 pk
- 9.....N/A Screw
- 10.....E-016411..... Back Cover
- 11.....E-266051..... Switch Button
- 12.....E-55446..... Switch Nut
- 13.....E-137385..... Switch Assy
- 14.....E-566882..... Cover & Nameplate Assy, 5150A
N/A Nameplate, 5150A
- 14.....N/A Cover & Nameplate Assy, 5175A
N/A Nameplate, 5175A
- 15.....E-562031..... Cord Guide
- 16.....N/A Cord Reel Assy
- 17.....E-016431..... Support Plate
- 18.....E-531971..... Screw, 10 pk
- 19.....N/A Screw
- 20.....E-553724..... Screw

- E-376451..... Lead, 5150A
- N/A Potentiometer Slide, 5175A
- N/A Potentiometer, 5175A



LOWER CASTING ASSEMBLY

- 1.....E-27176A1 Furniture Guard, 5134A/B
- 1.....E-266071..... Furniture Guard, 5150A,5175A
- 2.....E-30563A Belt
- 3.....E-522824..... Bristle Strip Set
- 4.....E-53360..... Bearing & Retainer Assy, 5134A/B,5150A
- 4.....E-54256..... Bearing & Retainer Assy, 5175A
- 5.....E-53158..... Nut, 10 pk
- 6.....E-132363..... Distribulator
- 7.....E-25759A Distribulator Cap, 5134A/B, 5150A
- 7.....E-25942..... Distribulator Cap, 5175
- 8.....E-53167..... Shaft Washer, 5134A/B, 10 pk
- 8.....E-53167..... Shaft Washer, 5150A, 10 pk
- 8.....E-49899..... Shaft Washer, 5175A
- 9.....E-53360..... Shaft, 5134A/B,5150A
- 9.....E-25937..... Shaft, 5175A
- 10.....E-465384..... Gasket
- 11.....E-259221..... Bottom Plate
E-533981..... Brush Roll, complete, VG II, hex



EUREKA UPRIGHTS

5100 Series

HANDLE & BAG ASSEMBLY

The Boss Self-Propelled / Precision

Models: 5134A, 5134B (Boss), 5150A, 5175A (Precision)

- 1.....E-13336B10.....Upper Handle Grip, 5134A/B
- 1.....E-13336B9.....Upper Handle Grip, 5150A,5175A
- 2.....N/A.....Lower Handle Grip, 5134A/B
- 2.....N/A.....Lower Handle Grip, 5150A,5175A
- 3.....E-532384.....Screw, 10 pk
- 4.....E-134813.....Upper Handle Tube, 5134A/B
- 4.....E-140251.....Handle Tube, 5150A,5175A
- 5.....E-537472.....Cord Retainer Set, 5134A/B
- 5.....N/A.....Cord Retainer, 5150A,5175A
- 6.....E-126378.....Lower Handle Tube, 5134A/B
- 7.....E-55282.....Clamp Assy, 5134A/B
- 8.....E-53145.....Screw, 10 pk, 5134A/B
- 9.....E-36705.....Cable Retainer, 5134A/B
- 10.....E-37078.....Cable Assembly
- 11.....E-531981.....Handle Retainer Screw, 6 pk
- 12.....E-532322.....Cotter Pin, 5134A/B, 10 pk
- 13.....E-41064G.....Pin, 5134A/B
- 14.....E-53098.....Bushing, 5134A/B, 5 pk
- 15.....N/A.....Spring, 5134A/B
- 16.....E-532177.....Screw, 5134A/B, 10 pk
- 17.....E-36521A1.....Bracket & Bushing Assy, 5134A/B
- 18.....N/A.....Handle Bracket Bushing, 5134A/B
- 19.....NLA.....Spring Spacer, 5 pk
- 20.....E-368901.....Neutral Lock
- 21.....E-53175.....Centering Spring, 10 pk, 5134A/B
- 22.....E-531981.....Handle Retainer, 6 pk, 5134A/B
- N/A.....Complete Handle Assy, 5134A/B
- 24.....NLA.....Supply Cord, 5134A/B
- E-535491.....Handle Socket Assy, 5134A/B
- N/A.....Handle Socket Assy, 5150A,5175A
- 30.....E-53099.....Spacer, 5134A/B, 5 pk
- 31.....E-538333.....Keps Nut, 5134A/B, 5 pk
- 32.....E-532135.....Nut, 10 pk
- 33.....E-5323813.....Screw, 5134A/B
- E-53145.....Bolt, 5150A,5175A, 10 pk

- N/A.....Bag Assembly
- E-47722.....Spring
- E-541751.....Adaptor, Sleeve & Gasket Assy
- N/A.....Gasket
- E-52320.....Paper Bags, type F&G, 3 pk

