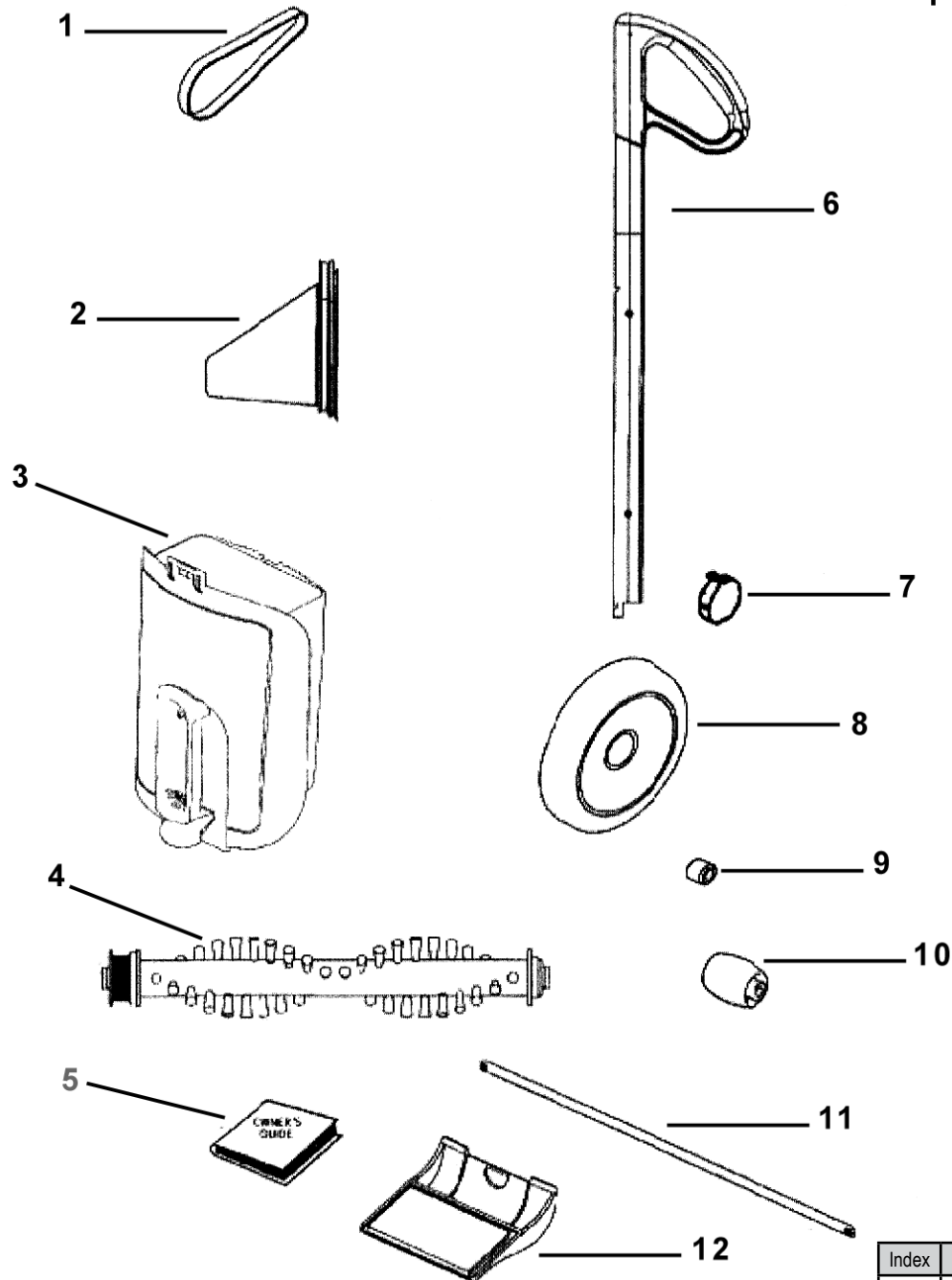


# EUREKA CANISTERS

## 400 Series

Model: 450A

### Parts and Accessories



Index	Part No.	Description
1	E-60957	Belt
2	E-39588	Dust Cup Filter Assembly
3	E-39895	Dust Cup Assembly
4	E-39589	Disturbulator Assembly
5	N/A	Owner's Guide
6	E-613261	Handle Assembly
7	E-61818	Tire Cover Set (packaged)
8	E-60962	Rear Wheel
9	E-60963	Front Wheel Assembly
10	E-60964	Glide Roller
11	E-61310	Wheel Bar Axle
12	E-61929	Access Door

PHONE: 1-800-822-7467

FAX: 847-647-0534

E-MAIL: [sales@hescoinc.com](mailto:sales@hescoinc.com)

WEB: [hescoinc.com](http://hescoinc.com)