

EUREKA UPRIGHTS

2100 Series

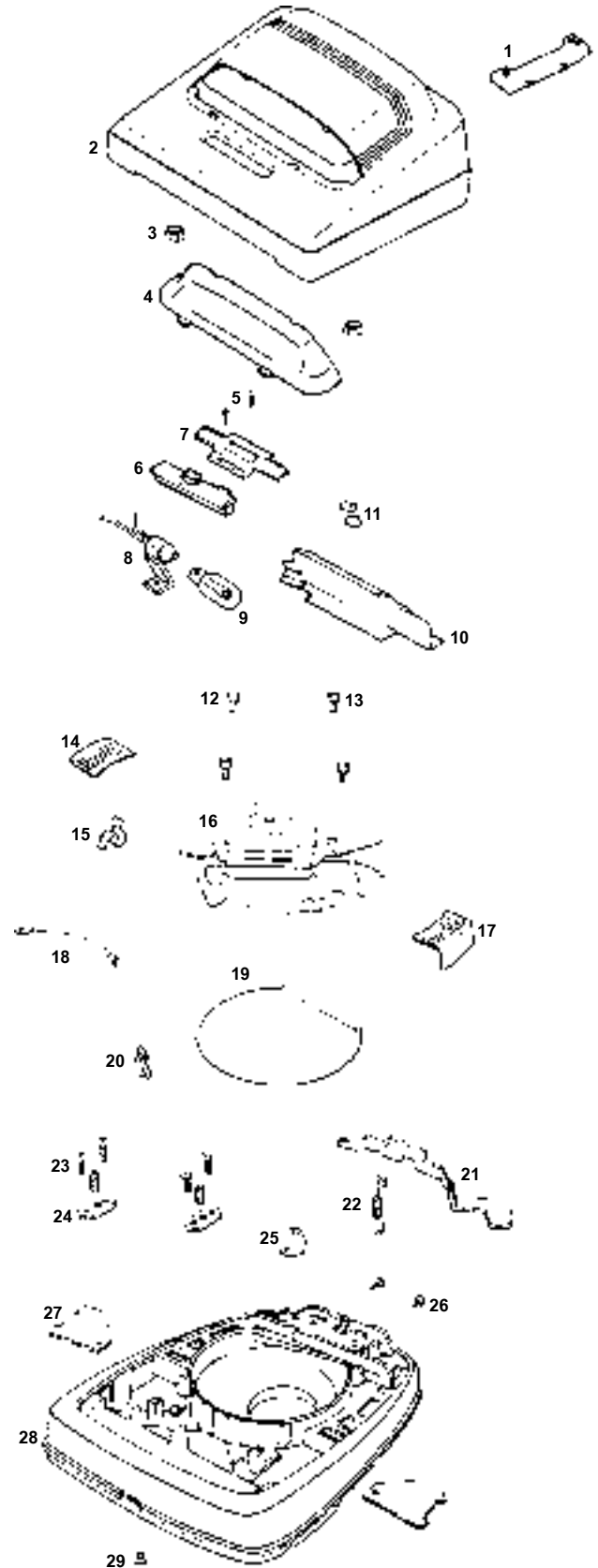
• UPPER CASTING ASSEMBLY

Models: 2150A, 2152A

- 1 E-37727 Shield
- 2 N/A Hood Assembly
- 3 N/A Hood Lens
- 4 E-53424 On-Sert, 10 pk
- 5 E-53147 Screw, 10 pk
- 6 E-266061 Adjustment Slide
- 7 E-25729A6 Slide Cover
- 8 E-35958A Light Socket Assembly
- 9 E-40009A Headlight Bulb
- 10 N/A Light Shield
- 11 N/A Wire Nut, 5 pk
- 12 E-5323813 Screw, 10 pk
- 13 E-5323814 Screw, 10 pk
- 14 N/A Brush Cover, left side
- 15 N/A Wire Clip
- 16 E-54773 Motor Assembly
- 17 N/A Brush Cover, right side
- 18 E-55296 Wire Terminal
- 19 E-30517 Motor Seal Gasket
- 20 E-530891 Strain Relief Bushing, 10 pk
- 21 E-24834A3 Foot Pedal
- 22 E-53097 Spring, foot pedal, 5 pk
- 23 E-5323814 Screw, 10 pk
- 24 E-53140 Clamp & Screw Assy, 6 pk
E-48642 Set Screw
- 25 E-375901 Bushing Bracket
- 26 E-532287 Bag Screw, 10 pk
- 27 E-36263 Wheel Cover
- 28 E-5345711 Base Assembly
E-24964A1 Cam, right side
E-24965A1 Cam, left side
E-53118 Rivet, 10 pk
E-53133 Washer, 10 pk
- 29 E-532373 Screw, 10 pk

BAG ASSEMBLY

- E-541334 Bag Assy, zipper, light grey cloth, "EUREKA
micron filter" logo, 2 screw coupling
- E-47722 Bag Spring
- E-541752 Adaptor, Sleeve & Gasket Assy
- E-48410 Garter Spring
- E-48801 Tie Wire
- E-52320 Paper Bag, 3 pack
- E-54924 Paper Bag, 9 pack
- E-57695 Paper Bag, "FilterAire" microfiltration, 3 pack

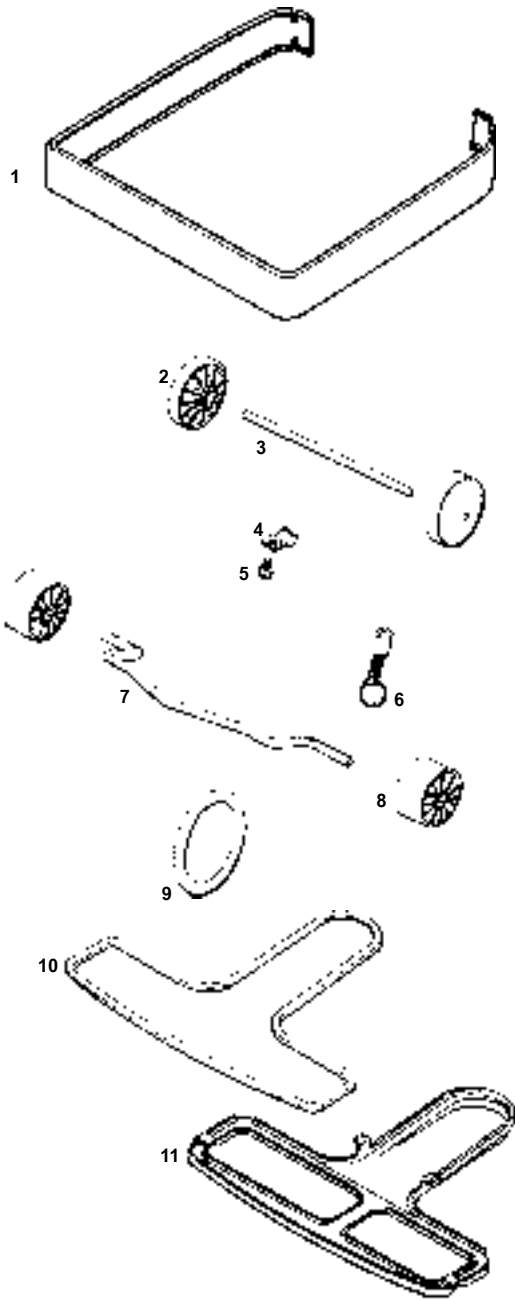


EUREKA UPRIGHTS

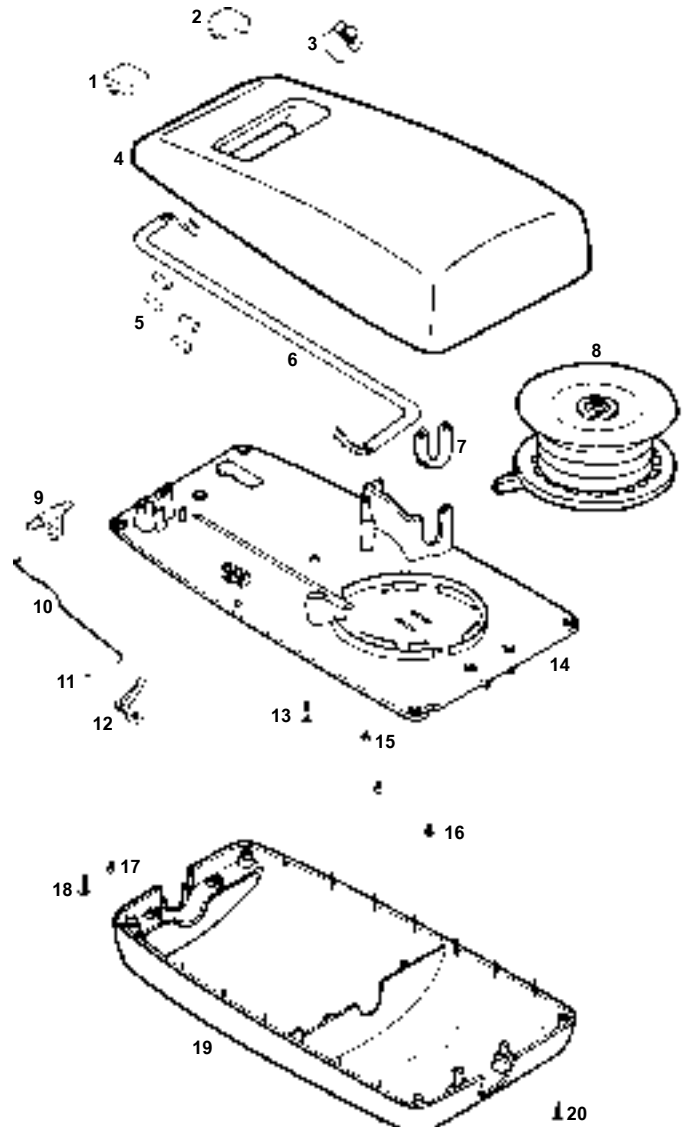
2100 Series

• LOWER CASTING & HARD SHELL ASSEMBLY

Models: 2150A, 2152A



- 1 E-266071 Furniture Guard, millstone, 2150A
- 1 E-266073 Furniture Guard, black, 2152A
- 2 E-358582 Rear Wheel, narrow, grey
- 3 E-47562 Rear Axle
- 4 E-53111 Clip, 5 pk
- 5 E-5323811 Screw, 10 pk
- 6 E-530762 Spring, axle, 6 pk
- 7 E-35947A Front Axle
- 8 E-35859A1 Front Wheel
- 9 E-30563A Belt, sold each
- 9 E-52100 Belt, 2 pack
- 10 E-465384 Gasket
- 11 E-259221 Bottom Plate
- E-533981 Brush Roll, complete, VG2, hex end, 12", steel



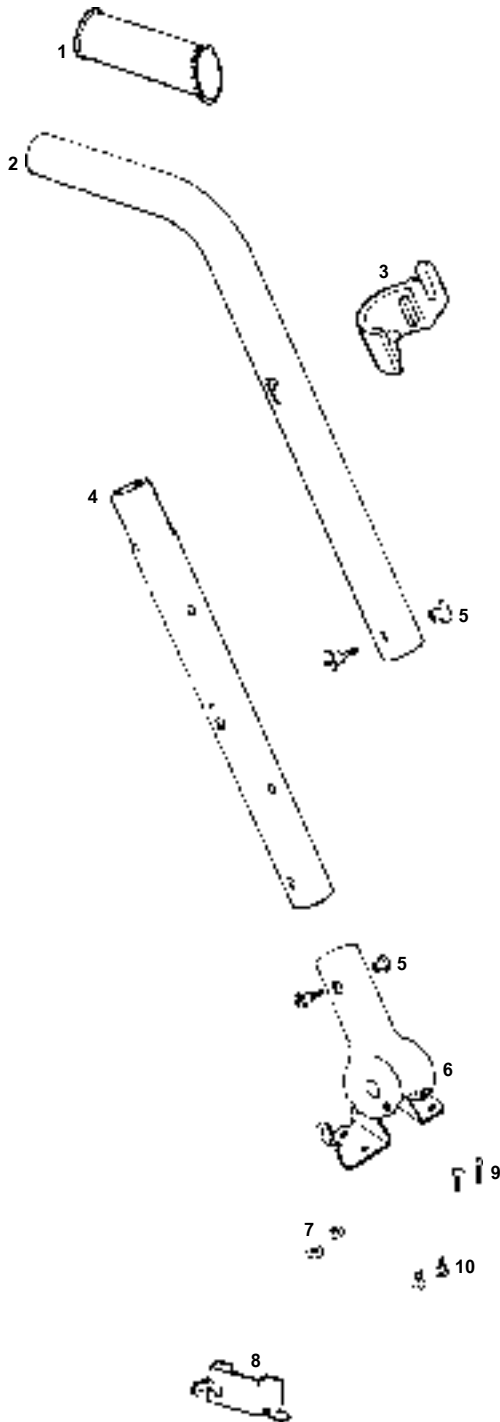
- 1 E-381813 Cord Release Button
- 2 E-266051 Switch Button
- E-55446 Switch Nut
- 3 E-137385 Switch Assembly
- 4 E-566884 Cover & Nameplate Assy, 2150A
- 5 E-601921 Wire Nut, 5 pk
- 6 N/A Lead
- 7 E-562031 Cord Guide
- 8 N/A Cord Reel Assy
- 9 N/A Cord Release Actuator
- 10 N/A Push Lever
- 11 E-54383 Push-On Nut, 10 pk
- 12 E-37589 Crank
- 13 E-53291 Screw, 10 pk
- 14 E-016431 Support Plate
- 15 E-531971 Screw, 10 pk
- 16 N/A Screw
- 17 E-531971 Screw, 10 pk
- 18 E-531973 Screw, 10 pk
- 19 E-016411 Back Cover
- 20 E-531974 Screw, 10 pk

EUREKA UPRIGHTS

2100 Series

• HANDLE ASSEMBLY

Models: 2150A, 2152A



- 1 E-352938 Handle Grip
- 2 E-2532920 Upper Handle Assembly
- 3 N/A Cord Retainer
- 4 N/A Lower Handle Tube
- 5 E-531981 Screw & Nut Set, 6 pk
- 6 N/A Handle Socket Assembly
- 7 E-532135 Nut, 10 pk
- 8 E-37157 Shield
- 9 E-5323813 Screw, 10 pk
- 10 E-53145 Bolt, 10 pk

**WE'VE BEEN
SERVING THE
INDUSTRY FOR
OVER 70 YEARS
AND WE LOOK
FORWARD TO
SERVING YOU!**



PHONE: 1-800-822-7467 FAX: 847-647-0534 E-MAIL: SALES@HESCOINC.COM WEB: WWW.HESCOINC.COM