

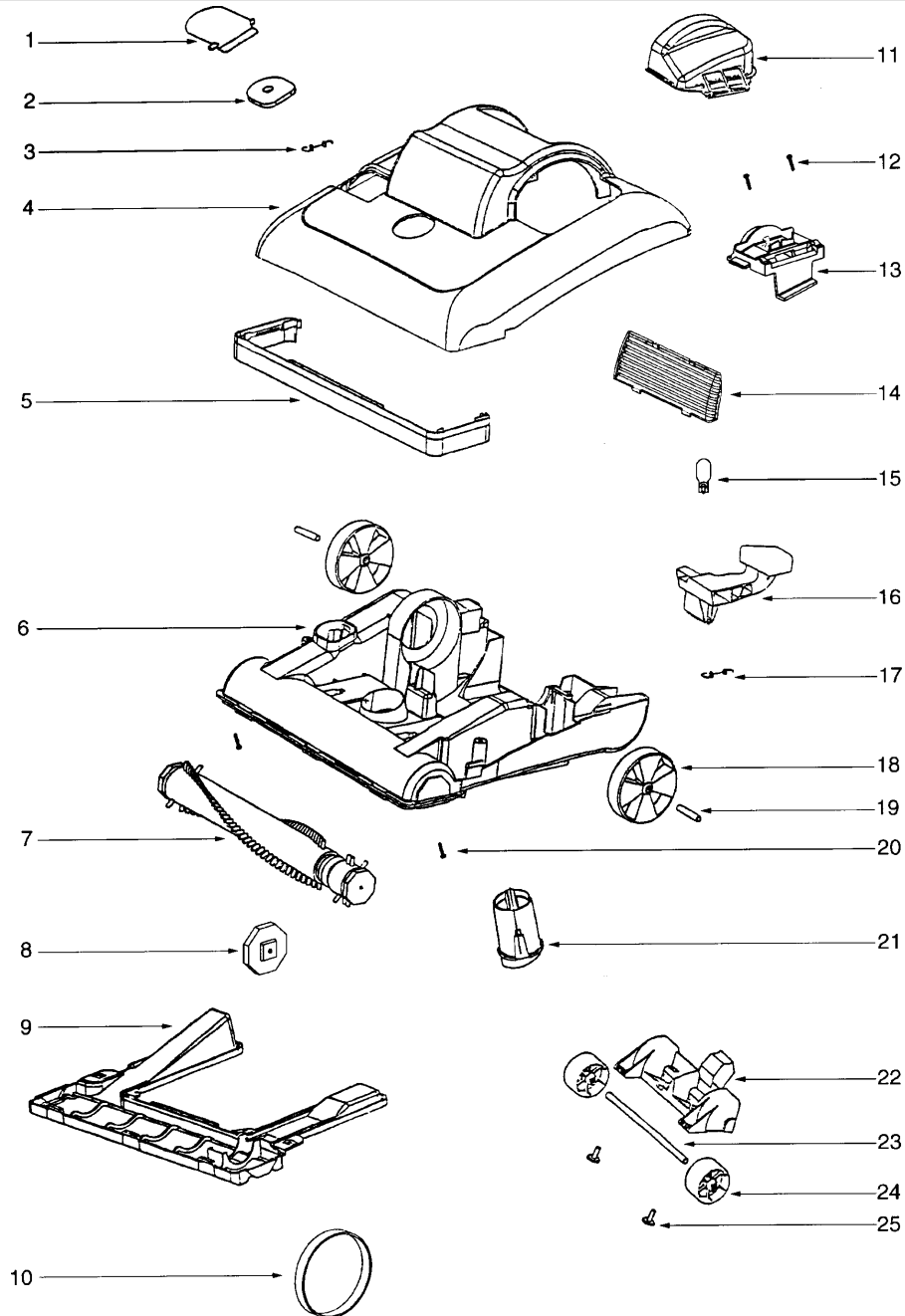
EUREKA UPRIGHTS

7000 Series

NOZZLE ASSEMBLY

Direct Air Upright

Models: 7686BH



- 1 E-71014 Attachment door and gasket
- 2 E-58890 Gasket
- 3 E-530762 spring, 6 pk
- 4 E-6016255 Hood and graphics assembly
- 5 E-15325288N Furniture guard
- 6 E-6016314 Base assembly
- 7 E-602791 Disturbulator assembly
- 8 E-27759A119N Disturbulator cap
- 9 E-391033 Bottom plate
- 10 E-61120 Belt, 2 pk
- 11 E-27796288N Switch pedal
- 12 E-531973 screw, 10 pk
- 13 E-15344B119N Motor bracket

- 14 E-15475313N Lens
- 15 E-579402 Headlight
- 16 E-27799288N Handle release
- 17 E-530762 Spring, 6 pk
- 18 E-27794119N Rear wheel
- 19 E-58814 Rear axle
- 20 E-531973 Screw, 10 pk
- 21 E-28342C288N Height adjustment knob
- 22 E-27793A119N Wheel carriage
- 23 E-575671 Front axle
- 24 E-38236B119N Front wheel
- 25 E-60160 Carriage screw, 10 pk

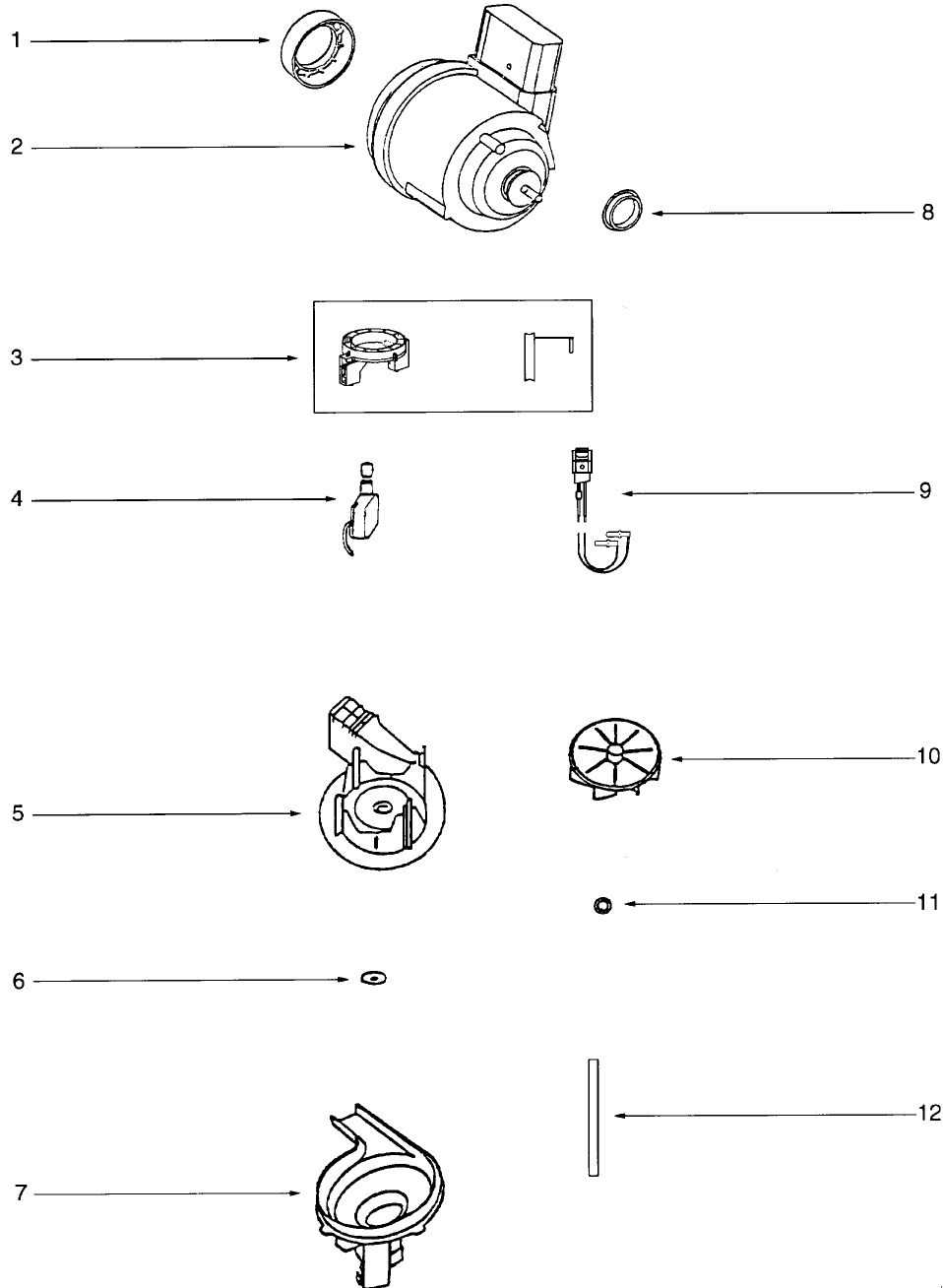
EUREKA UPRIGHTS

7000 Series

MOTOR ASSEMBLY

Direct Air Upright

Models: 7686BH



- 1 E-27815A Large motor mount
- 2 E-54379122 Motor assembly
- 3 E-544722 brush holder and brush assembly
- 4 E-394061 Switch assembly
- 5 E-543743 Fan cover assembly
- 6 E-54811 Fan washer, 10 pk
- 7 E-543752 scroll assembly
- 8 E-58815 Small motor mount
- 9 E-38828B Headlight socket
- 10 E-27930 Impellar
- 11 E-60106 Internal lockwasher, 10 pk
- 12 E-579491 Gasket

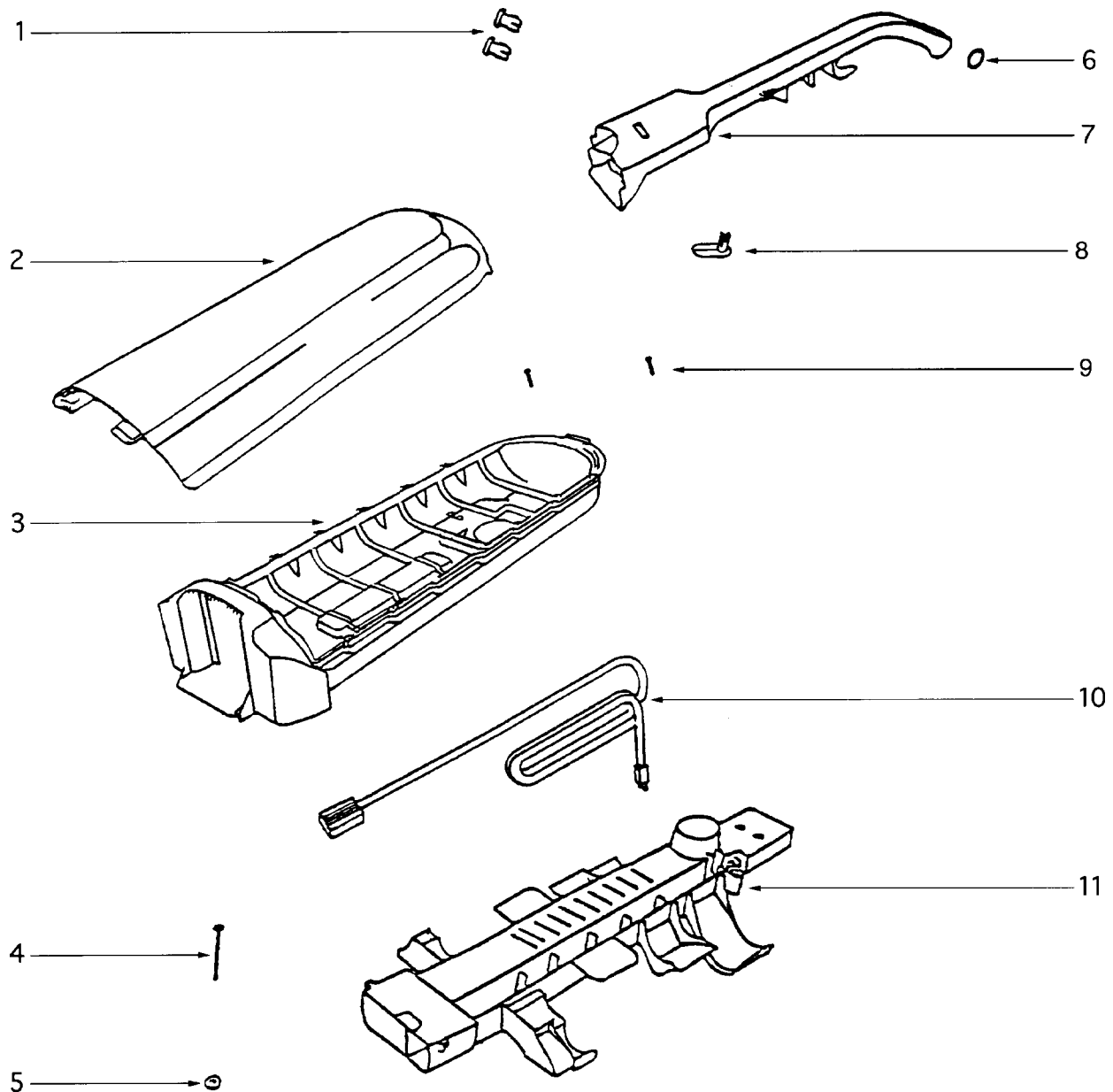
EUREKA UPRIGHTS

7000 Series

HANDLE ASSEMBLY

Direct Air Upright

Models: 7686BH



- 1 E-535363 Snap pin, 10 pk
- 2 E-6009829 Front cover assembly
- 3 E-60785 rear housing
- 4 E-532181 screw, 10 pk
- 5 E-532135 Nut, 10 pk
- 6 E-272071 Handle cap
- 7 E-386875 Upper handle assembly
- 8 E-28013119N Cord release
- 9 E-5323813 Screw, 10 pk
- 10 E-276742 Cord and plug assembly
- 11 E-71959119N Lower handle

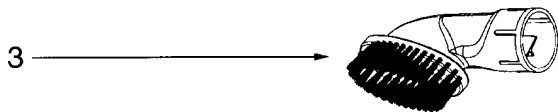
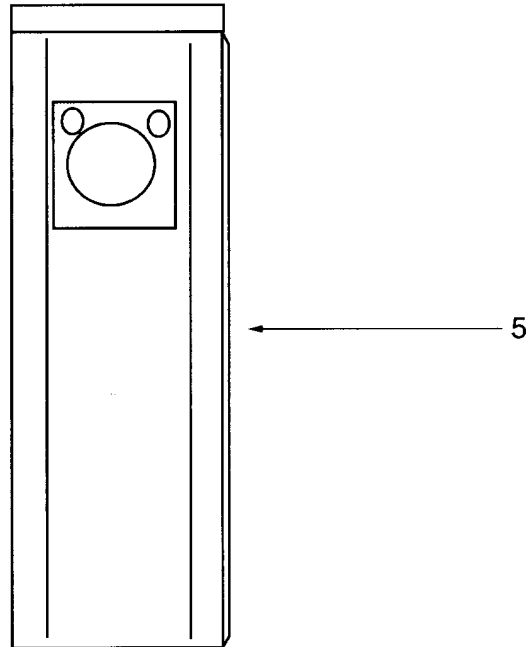
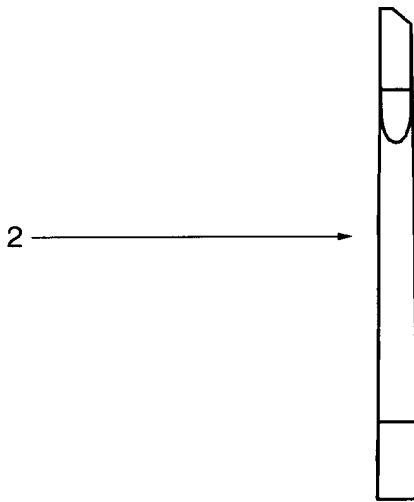
EUREKA UPRIGHTS

7000 Series

ATTACHMENTS

Direct Air Upright

Models: 7686BH



- 1 E-609545 Hose assembly
- 2 E-71956A119N crevice wand
- 3 E-609902 Combination brush
- 4 E-71351 Hardware package
- 5 E-54310 Disposable bags, style U, 3 pk

