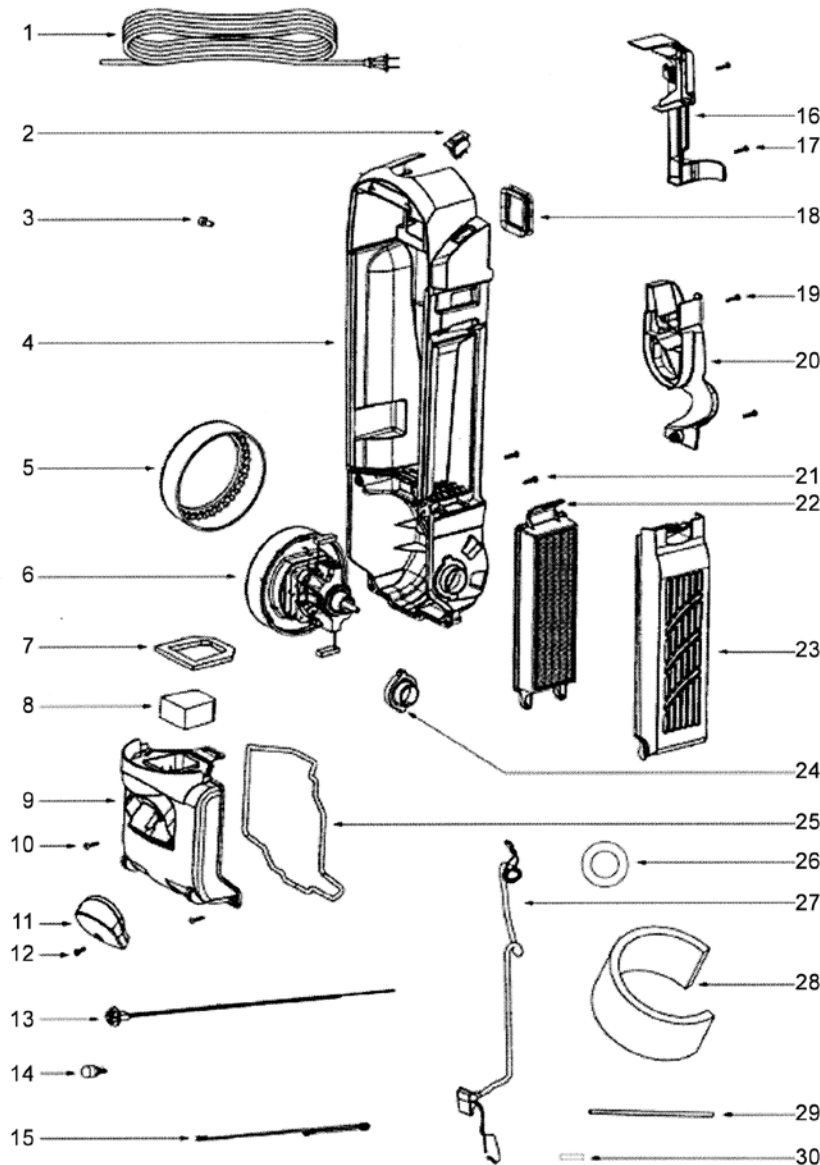


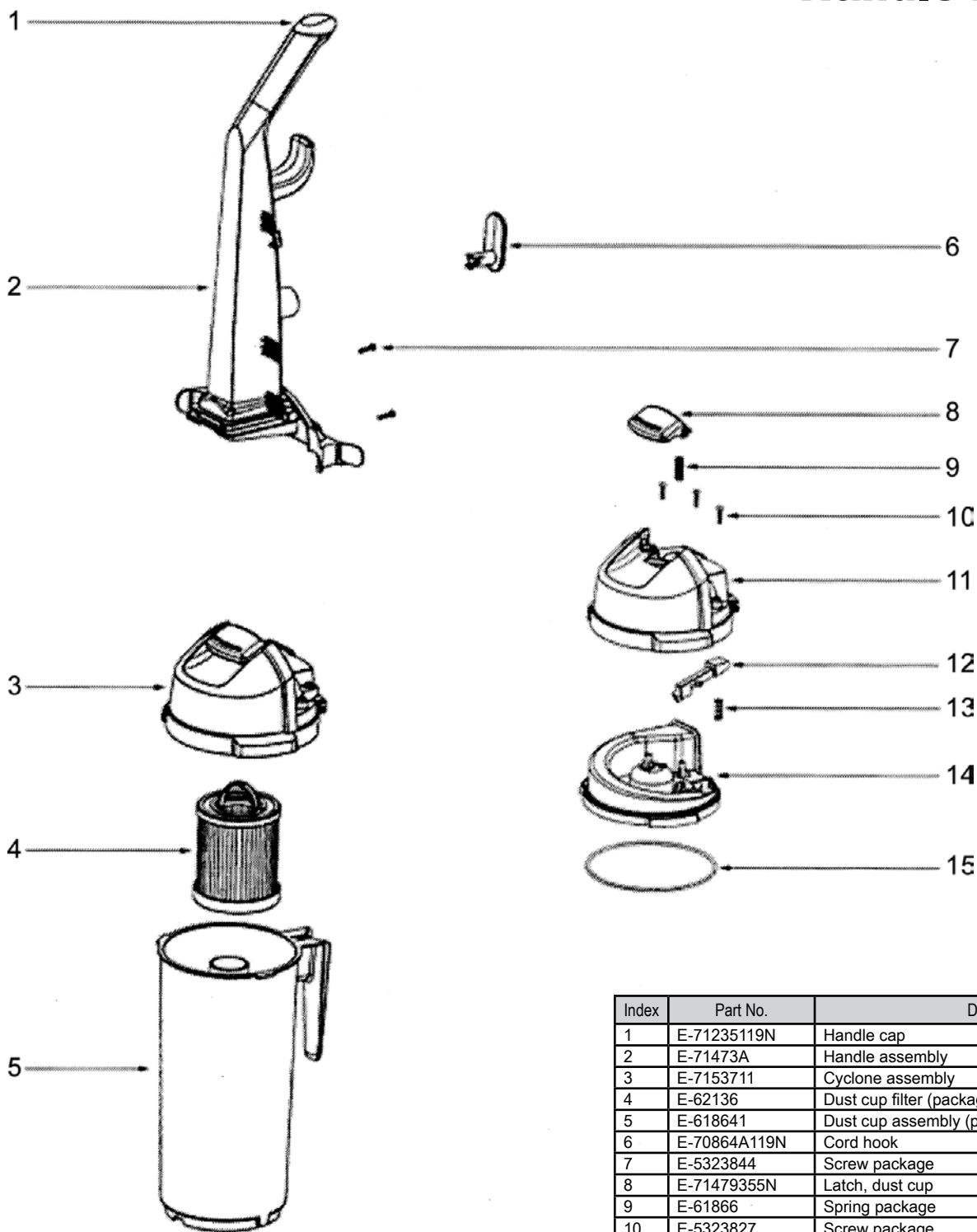
### Body Assembly



| Index | Part No.    | Description                       |
|-------|-------------|-----------------------------------|
| 1     | E-395852    | Supply cord and terminal assembly |
| 2     | E-394551    | Switch - rocker                   |
| 3     | E-601921    | Wire splice 5                     |
| 4     | E-72126B    | Rear housing assembly             |
| 5     | E-71649     | Gasket, motor can                 |
| 6     | E-6026111   | Motor assembly (packaged)         |
| 7     | E-71483     | Lower gasket-dirt cup             |
| 8     | E-71480     | Pre-motor filter                  |
| 9     | E-618633    | Motor cover assy (packaged)       |
| 11    | E-71460313N | Lens - headlamp                   |
| 12    | E-5323844   | Screw package                     |
| 13    | E-707012    | Socket and terminal assembly      |
| 14    | E-579402    | Lamp - headlight                  |
| 15    | E-392521    | Thermostat and terminal assembly  |

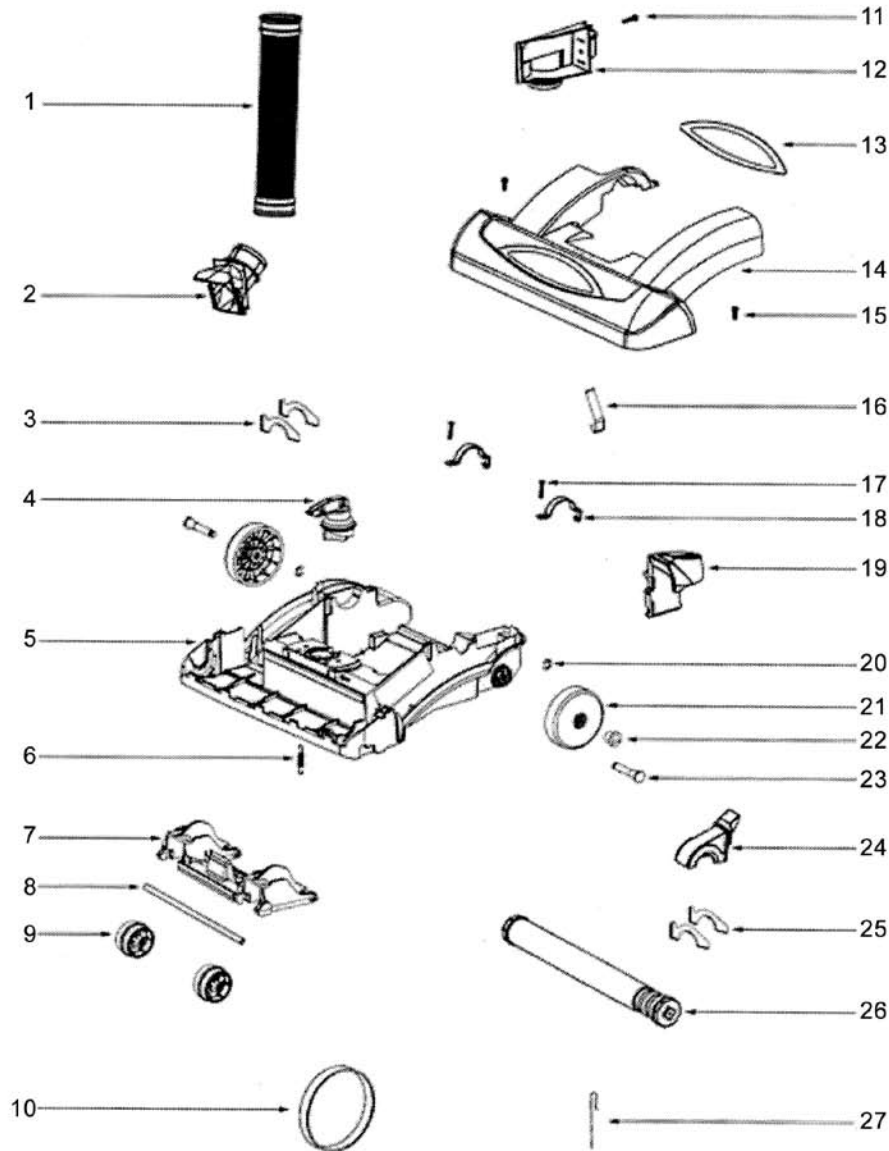
| Index | Part No.    | Description                 |
|-------|-------------|-----------------------------|
| 16    | E-72127     | Switch cover assembly       |
| 18    | E-71482     | Gasket - intake             |
| 20    | E-71455119N | Tool pack - lower           |
| 21    | E-5323827   | Screw package               |
| 22    | E-61840     | Washable HEPA filter (pack) |
| 23    | E-720063    | Filter cover and graphics   |
| 24    | E-70084     | Bushing - motor support     |
| 25    | E-71484     | Gasket - motor cover        |
| 26    | E-719691    | Gasket - motor hub          |
| 27    | E-71465     | Cord - jumper               |
| 28    | E-722241    | Foam - sound                |
| 29    | E-706511    | Tube - flexible             |
| 30    | E-72167     | Plug                        |
|       | E-720061    | Filter cover and graphics   |

## Handle Assembly



| Index | Part No.     | Description                     |
|-------|--------------|---------------------------------|
| 1     | E-71235119N  | Handle cap                      |
| 2     | E-71473A     | Handle assembly                 |
| 3     | E-7153711    | Cyclone assembly                |
| 4     | E-62136      | Dust cup filter (package D)     |
| 5     | E-618641     | Dust cup assembly (packaged)    |
| 6     | E-70864A119N | Cord hook                       |
| 7     | E-5323844    | Screw package                   |
| 8     | E-71479355N  | Latch, dust cup                 |
| 9     | E-61866      | Spring package                  |
| 10    | E-5323827    | Screw package                   |
| 11    |              | Top cover and graphics assembly |
| 12    | E-71785119N  | Catch - filter in place         |
| 13    | E-61867      | Spring package                  |
| 14    | E-71451119N  | Cyclone                         |
| 15    | E-71475      | Gasket cyclone                  |

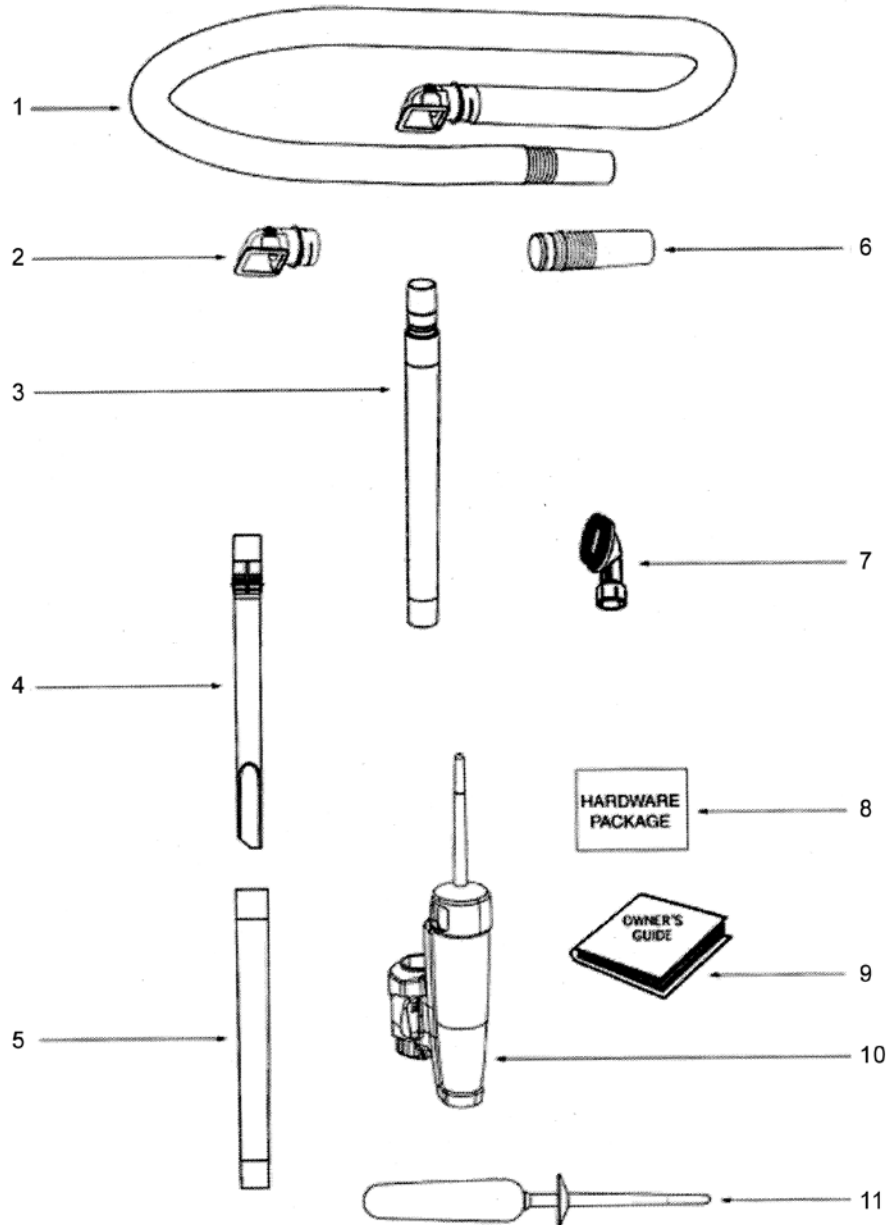
### Nozzle Assembly



| Index | Part No.      | Description                                     |
|-------|---------------|---|
| 1     | E-72001       | Base hose assembly                              |
| 2     | Included in 1 | Base hose assembly                              |
| 3     | E-71673       | Felt - base                                     |
| 4     | E-71448355N   | Knob - height adjustment                        |
| 5     | E-618773      | Base assembly (packaged)                        |
| 6     | E-54943       | Spring package                                  |
| 7     | E-71446119N   | Carriage - wheel                                |
| 8     | E-71478       | Axle - front                                    |
| 9     | E-39173A119N  | Wheel - front                                   |
| 10    | E-61120A      | Belt package assembly - style U (extended life) |
| 12    | E-71726119N   | Base hose assembly                              |
| 13    | E-721783      | Lens - hood                                     |
| 14    | E-6187812     | Hood assembly (packaged)                        |
| 15    | E-5323844     | Screw package                                   |

| Index | Part No.    | Description              |
|-------|-------------|--------------------------|
| 16    | E-71574     | Spring - handle release  |
| 17    | E-5323827   | Screw package            |
| 18    | E-71487     | Clamp - motor            |
| 19    | E-71457355N | Release - handle         |
| 20    | E-544321    | Package - retaining ring |
| 21    | E-72117119N | Wheel - rear             |
| 22    | E-721131    | Bushing - axle           |
| 23    | E-38590A    | Axle - rear              |
| 24    | E-71741A    | Belt cap assembly        |
| 25    | E-71672A    | Felt - belt cap          |
| 26    | E-618691    | Brushroll assembly       |
| 27    | E-38063     | Guard - belt             |
|       | E-618776    | Base assembly (packaged) |

### Hoses and Attachments



| Index | Part No.     | Description                   |
|-------|--------------|-------------------------------|
| 1     | E-618653     | Hose assembly                 |
| 2     | E-71725313N  | Adapter - hose                |
| 3     | E-71492A     | Nesting wand assembly         |
| 4     | E-71956A355N | Crevice wand                  |
| 5     | E-71973119N  | Outer wand                    |
| 6     | E-70559A119  | Coupling - hose               |
| 7     | E-609902     | Combination brush - bristled  |
| 8     | E-72322      | Package - hardware            |
| 10    | E-722932     | Electrostatic duster assembly |
| 11    | E-72498      | Duster assembly               |
|       | E-618653     | Hose assembly                 |