

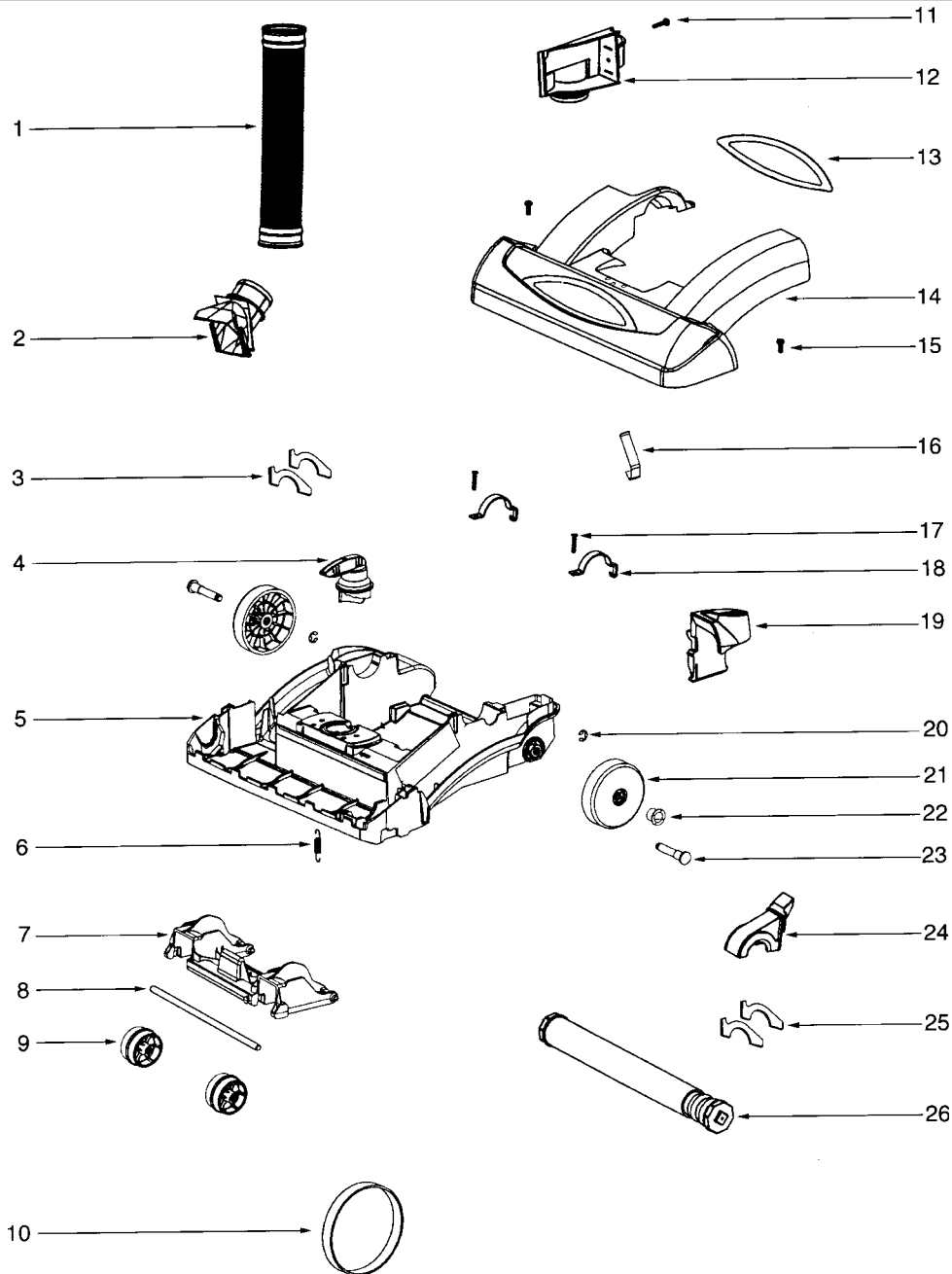
# EUREKA UPRIGHTS

## 5800 Series

### NOZZLE ASSEMBLY

### Litespeed Bagless Upright

Models: 5846AH



- 1 ..... E-71466 ..... Base hose
- 2 ..... E-71447119N ..... Base adapter
- 3 ..... E-71673 ..... Base felt gasket
- 4 ..... E-71448333N ..... Height adjustment knob
- 5 ..... E-618772 ..... Base assembly
- 6 ..... E-54943 ..... Spring, 10 pk
- 7 ..... E-71446119N ..... Wheel carriage
- 8 ..... E-71478 ..... Front axle
- 9 ..... E-39173A119N ... Front wheel
- 10 ..... E-61120A ..... Belt, 2 pk
- 11 ..... E-5323827 ..... Screw, 10 pk
- 12 ..... E-71726119N ..... Base hose connector
- 13 ..... E-721782 ..... Lens

- 14 ..... E-618784 ..... Hood assembly
- 15 ..... E-5323844 ..... Screw, 10 pk
- 16 ..... E-71574 ..... Handle release spring
- 17 ..... E-5323827 ..... Screw, 10 pk
- 18 ..... E-71487 ..... Clamp
- 19 ..... E-71457333N ..... Handle release
- 20 ..... E-54432 ..... Retaining ring, 10 pk
- 21 ..... E-72117119N ..... Rear wheel
- 22 ..... E-721131 ..... Axle bushing
- 23 ..... E-38590A ..... Rear axle
- 24 ..... E-71741 ..... Belt cap
- 25 ..... E-71672 ..... Belt cap gasket
- 26 ..... E-618691 ..... Brushroll

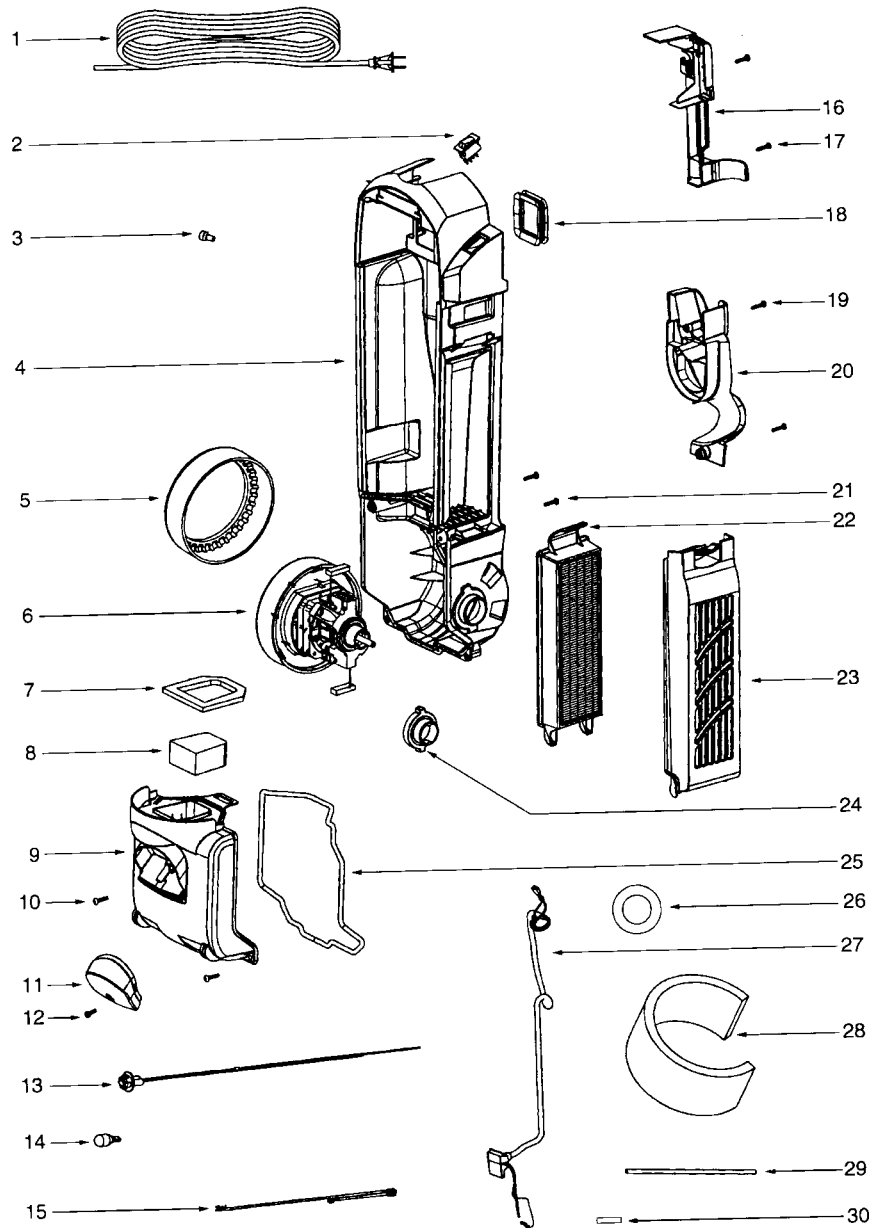
# EUREKA UPRIGHTS

## 5800 Series

### HOUSING ASSEMBLY

### Litespeed Bagless Upright

Models: 5846AH



- 1 ..... E-3868029 ..... Supply cord
- 2 ..... E-394551 ..... Switch
- 3 ..... E-601921 ..... Wire splice, 5 pk
- 4 ..... E-72126B ..... rear housing
- 5 ..... E-71649 ..... Motor gasket
- 6 ..... E-6026111 ..... Motor assembly
- 7 ..... E-71483 ..... Gasket
- 8 ..... E-71480 ..... Pre-motor filter
- 9 ..... E-618634 ..... Motor cover
- 10 ..... E-5323827 ..... Screw, 10 pk
- 11 ..... E-71460313N ..... Lens
- 12 ..... E-5323844 ..... Screw, 10 pk
- 13 ..... E-707012 ..... Headlight socket and terminal
- 14 ..... E-579402 ..... Headlight
- 15 ..... E-392521 ..... Thermostat

- 16 ..... E-72127 ..... Switch cover
- 17 ..... E-5323827 ..... Screw, 10 pk
- 18 ..... E-71482 ..... Intake gasket
- 19 ..... E-5323827 ..... Screw, 10 pk
- 20 ..... E-71455119N ..... Lower tool pack
- 21 ..... E-5323827 ..... Screw, 10 pk
- 22 ..... E-61830 ..... HEPA filter
- 23 ..... E-720061 ..... Filter cover
- 24 ..... E-70084 ..... Motor support bushing
- 25 ..... E-71484 ..... Motor cover gasket
- 26 ..... E-719691 ..... Motor hub gasket
- 27 ..... E-71465 ..... Jumper cord
- 28 ..... E-722241 ..... Sound foam
- 29 ..... E-706511 ..... Tube
- 30 ..... E-72167 ..... Plug

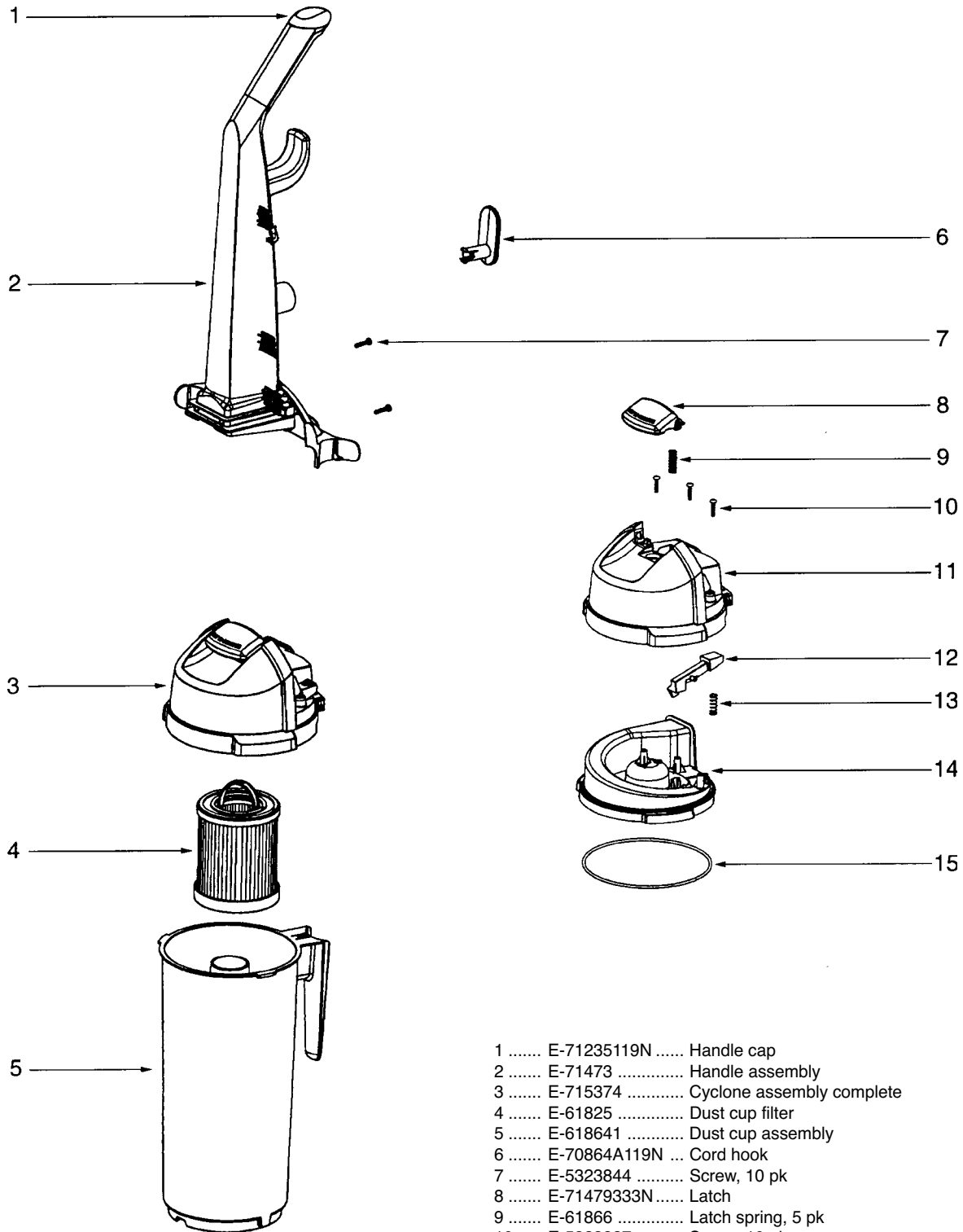
# EUREKA UPRIGHTS

## 5800 Series

### HANDLE ASSEMBLY

### Litespeed Bagless Upright

Models: 5846AH



- 1 ..... E-71235119N ..... Handle cap
- 2 ..... E-71473 ..... Handle assembly
- 3 ..... E-715374 ..... Cyclone assembly complete
- 4 ..... E-61825 ..... Dust cup filter
- 5 ..... E-618641 ..... Dust cup assembly
- 6 ..... E-70864A119N ... Cord hook
- 7 ..... E-5323844 ..... Screw, 10 pk
- 8 ..... E-71479333N ..... Latch
- 9 ..... E-61866 ..... Latch spring, 5 pk
- 10 ..... E-5323827 ..... Screw, 10 pk
- 11 ..... E-715374 ..... Top cover
- 12 ..... E-71785119N ..... Catch
- 13 ..... E-61867 ..... Spring, 5 pk
- 14 ..... E-71451119N ..... Cyclone
- 15 ..... E-71475 ..... Gasket

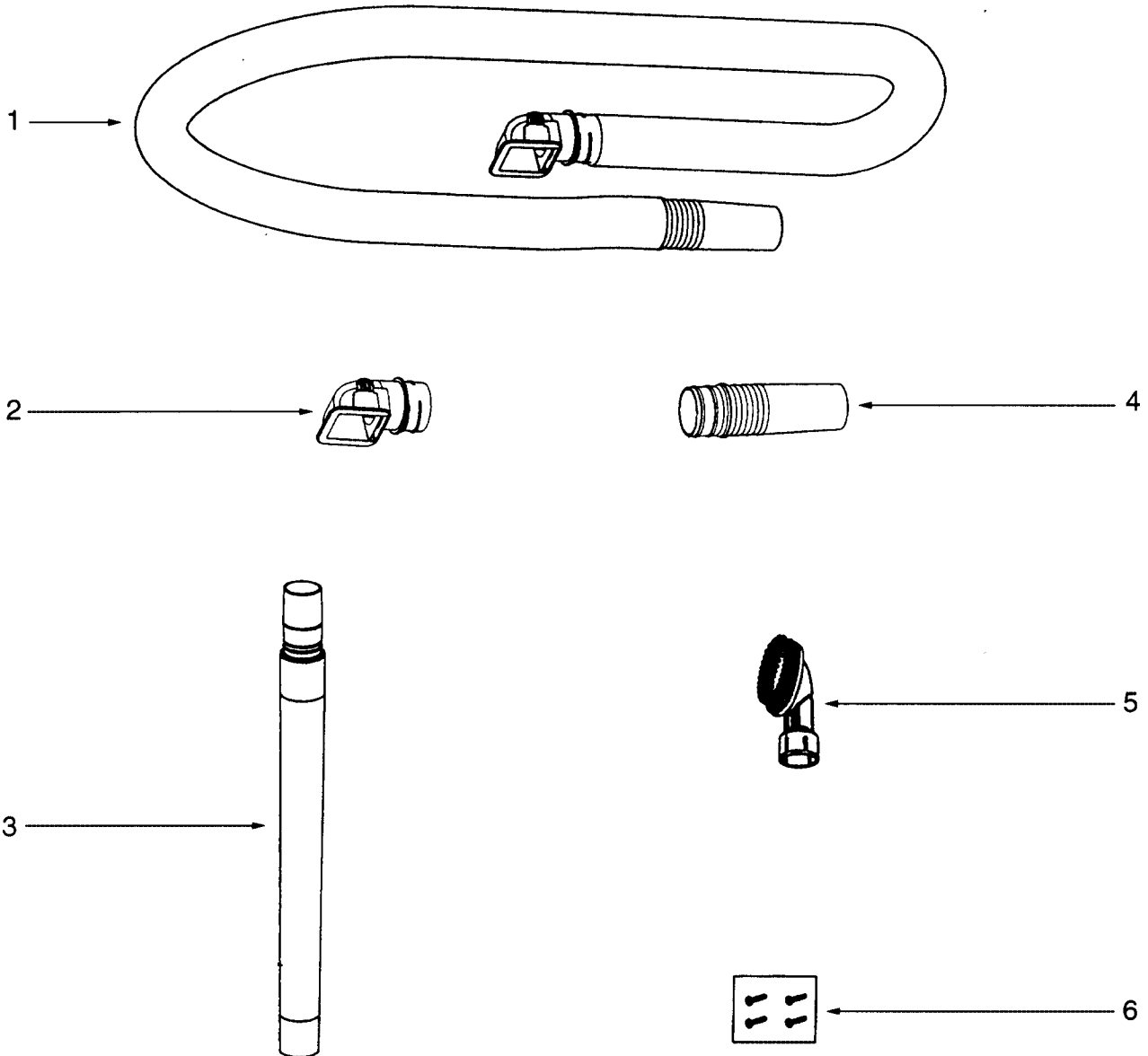
# EUREKA UPRIGHTS

## 5800 Series

### ATTACHMENTS

### Litespeed Bagless Upright

Models: 5846AH



- 1 ..... E-618681 ..... Hose assembly
- 2 ..... E-71725313N ..... Hose adapter
- 3 ..... E-71492 ..... Nested wands (straight and crevice wands)
- 4 ..... E-70559119N ..... Hose coupling
- 5 ..... E-609902 ..... Combination brush
- 6 ..... E-59930A ..... hardware package