

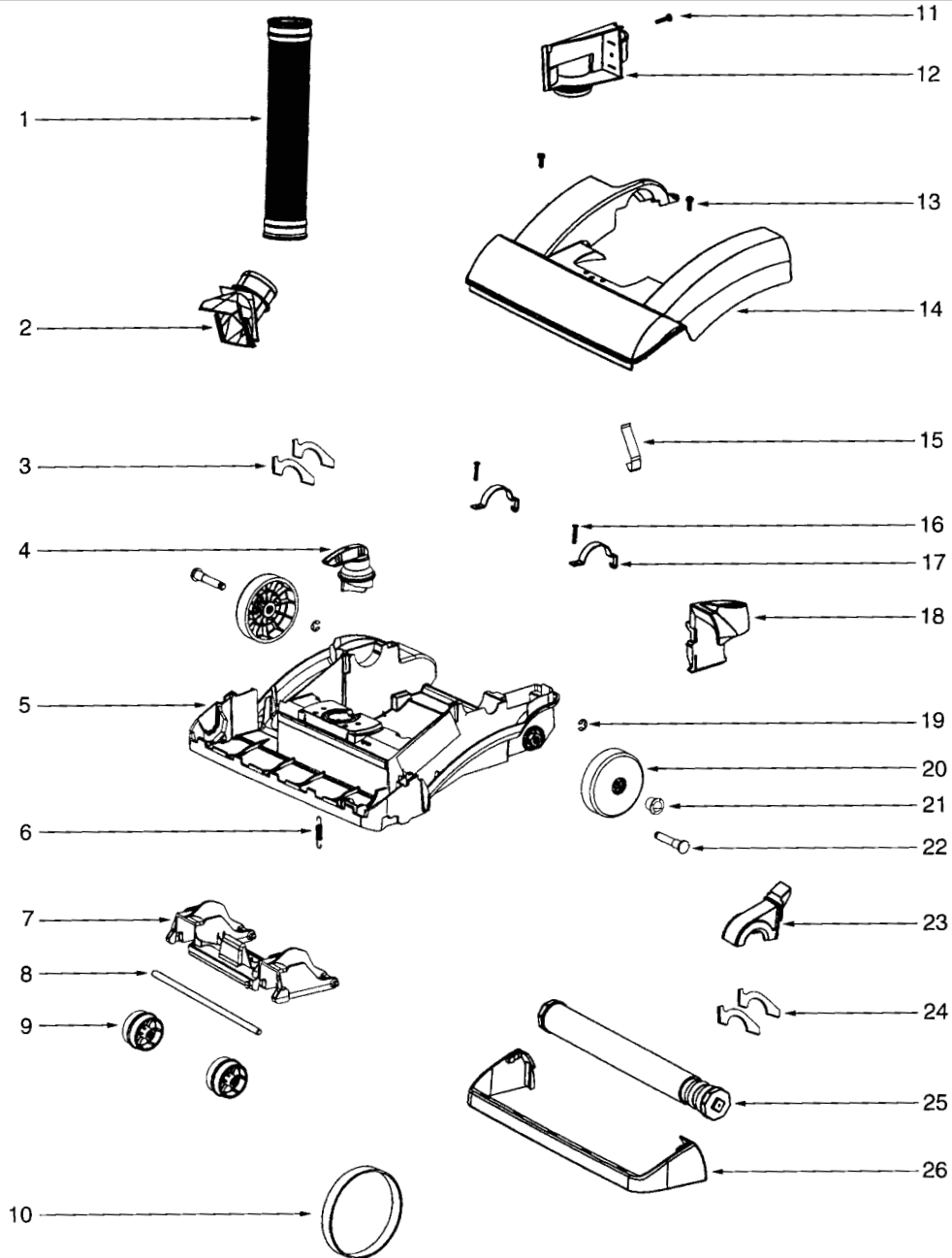
EUREKA UPRIGHTS

5800 Series

NOZZLE ASSEMBLY

Litespeed Bagless Upright

Models: 5810A, 5840A, 5843AV, 5844AV



- 1 E-71466 Base hose
- 2 E-71447119N Base adapter
- 3 E-71673 Base felt gasket
- 4 E-71448333N Height adjustment knob
- 5 E-618771 Base assembly
- 6 E-54943 Spring, 10 pk
- 7 E-71446119N Front wheel
- 8 E-71478 Front axle
- 9 E-39173A119N ... Front wheel
- 10 E-61120 Belt, 2 pk
- 11 E-5323827 Screw, 10 pk
- 12 E-71726119N Base hose connector
- 13 E-5323844 Screw, 10 pk
- 14 E-618782 Hood assembly
- E-618781 Hood assembly, 5810A

- E-618787 Hood assembly, 5844AV
- 15 E-71574 Handle release spring
- 16 E-5323827 Screw, 10 pk
- 17 E-71487 Clamp
- 18 E-71457333N Handle release
- 19 E-54432 Retaining ring, 10 pk
- 20 E-72117119N Rear wheel
- 21 E-72113 Axle bushing
- E-721131 Axle bushing, 5844AV
- 22 E-38590 Rear axle
- 23 E-71741 Belt cap
- 24 E-71672 Belt cap gasket
- 25 E-618691 Brushroll
- 26 E-71831355N Furniture guard

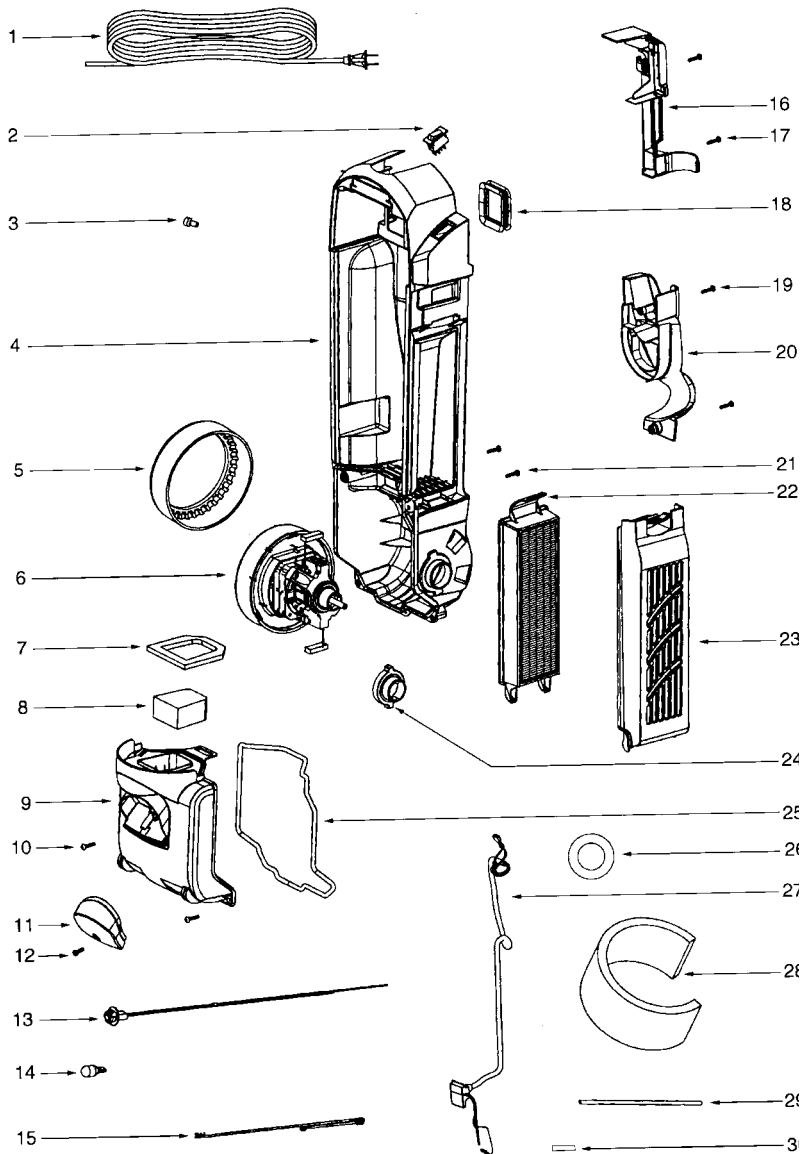
EUREKA UPRIGHTS

5800 Series

HOUSING ASSEMBLY

Litespeed Bagless Upright

Models: 5810A, 5840A, 5843AV, 5844AV



- | | | | | |
|----|-------|-------------|-------|-------------------------------|
| 1 | | E-3868029 | | Supply cord |
| 2 | | E-394551 | | Switch |
| 3 | | E-601921 | | Wire splice, 5 pk |
| 4 | | E-72126 | | Rear housing |
| | | E-71744 | | Rear housing, 5810A |
| | | E-72126B | | Rear housing, 5844AV |
| 5 | | E-71649 | | Motor gasket |
| 6 | | E-602614 | | Motor assembly, 5840A |
| | | E6026111 | | Motor assembly |
| 7 | | E-71483 | | Gasket |
| 8 | | E-71480 | | Pre-motor filter |
| 9 | | E-618632 | | Motor cover |
| | | E-618633 | | Motor cover, 5843AV |
| | | E-618636 | | Motor cover, 5844AV |
| | | E-618791 | | Motor cover, 5810A |
| 10 | | E-5323827 | | Screw, 10 pk |
| 11 | | E-71460313N | | Lens |
| 12 | | E-5323844 | | Screw, 10 pk |
| 13 | | E-707012 | | Headlight socket and terminal |
| 14 | | E-579402 | | Headlight |
| 15 | | E-392521 | | Thermostat |
| 16 | | E-72127 | | Switch cover |
| 17 | | E-5323827 | | Screw, 10 pk |
| 18 | | E-71482 | | Intake gasket |
| 19 | | E-5323827 | | Screw, 10 pk |
| 20 | | E-71455119N | | Lower tool pack |
| 21 | | E-5323827 | | Screw, 10 pk |
| 22 | | E-61830 | | HEPA filter |
| | | E-61835 | | HEPA filter insert, 5810A |
| 23 | | E-720061 | | Filter cover |
| | | E-721031 | | Filter cover, 5810A |
| 24 | | E-70084 | | Motor support bushing |
| 25 | | E-71484 | | Motor cover gasket |
| | | E-71765 | | Motor cover gasket, 5810A |
| 26 | | E-71465 | | Jumper cord |
| 27 | | E-38661 | | Sound foam |
| | | E-722241 | | Sound foam, 5844AV |
| 28 | | E-706511 | | Tube |
| | | E-706511 | | Tube |
| 30 | | E-72167 | | Plug |

PHONE: 1-800-822-7467 FAX: 847-647-0534 E-MAIL: sales@hescoinc.com WEB: www.hescoinc.com

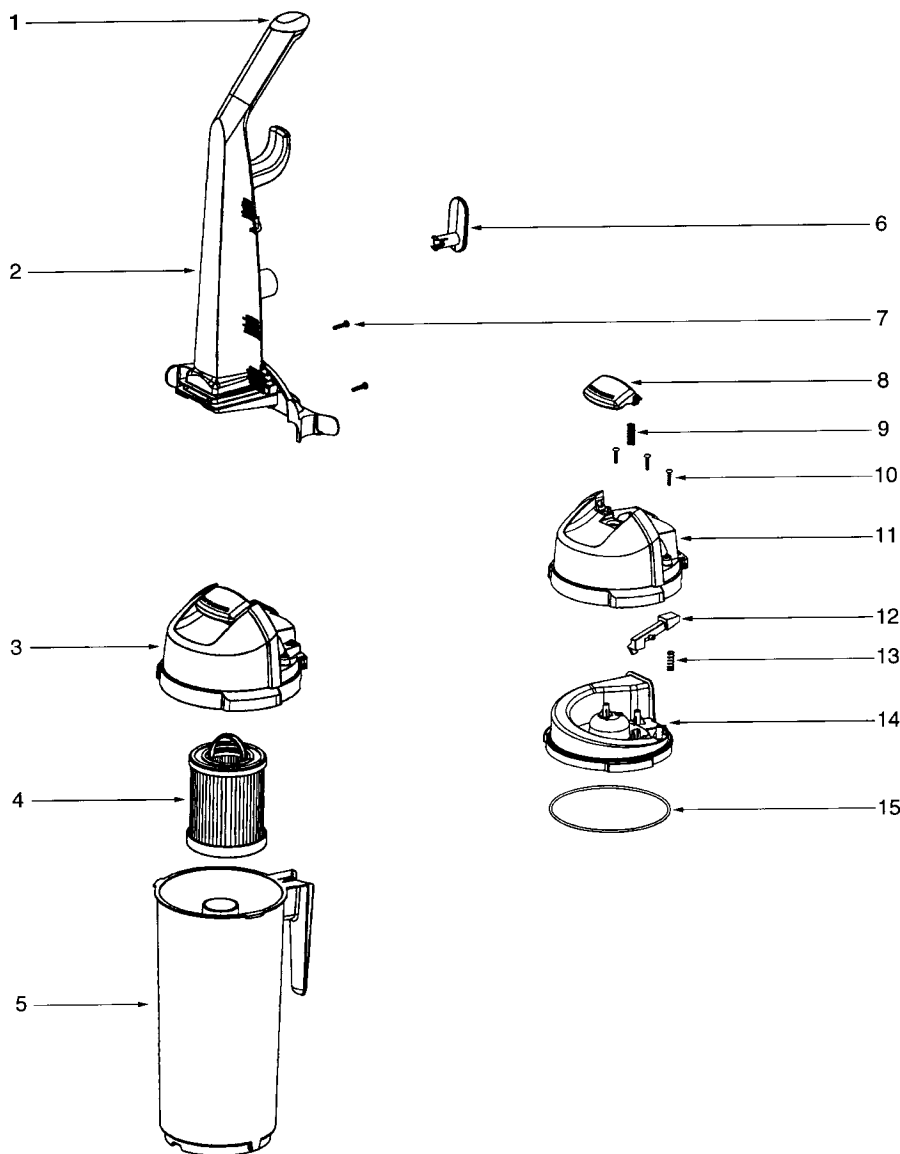
EUREKA UPRIGHTS

5800 Series

CYCLONE ASSEMBLY

Litespeed Bagless Upright

Models: 5810A, 5840A, 5843AV, 5844AV



- 1 E-71235119N Handle cap
- 2 E-71473 Handle assembly
- 3 E-715373 Cyclone assembly complete
 E-715372 Cyclone assembly complete, 5843AV
 E-71830333N Bag cover latch (not illustrated), 5810A
 E-715377 Cyclone assembly complete, 5844AV
- 4 E-61825 Dust cup filter
- 5 E-618641 Dust cup assembly
- 6 E-70864A119N ... Cord hook
- 7 E-5323844 Screw, 10 pk
- 8 E-71479333N Latch
- 9 E-61866 Latch spring, 5 pk
- 10 E-5323827 Screw, 10 pk
- 11 E-715373 Top cover
 E-715372 Top cover, 5843AV
 E-720047 Top cover, 5844AV
- 12 E-71785119N Catch
- 13 E-61867 Spring, 5 pk
- 14 E-71451119N Cyclone
- 15 E-71475 Gasket

NOT ILLUSTRATED

- E-71852 Torsion Spring, 5810A
- E-618801 Bag cover assembly, 5810A
- E-61820 Disposable bag, style LS, 3 pk, 5810A
- E-71512 Bag cover gasket, 5810A

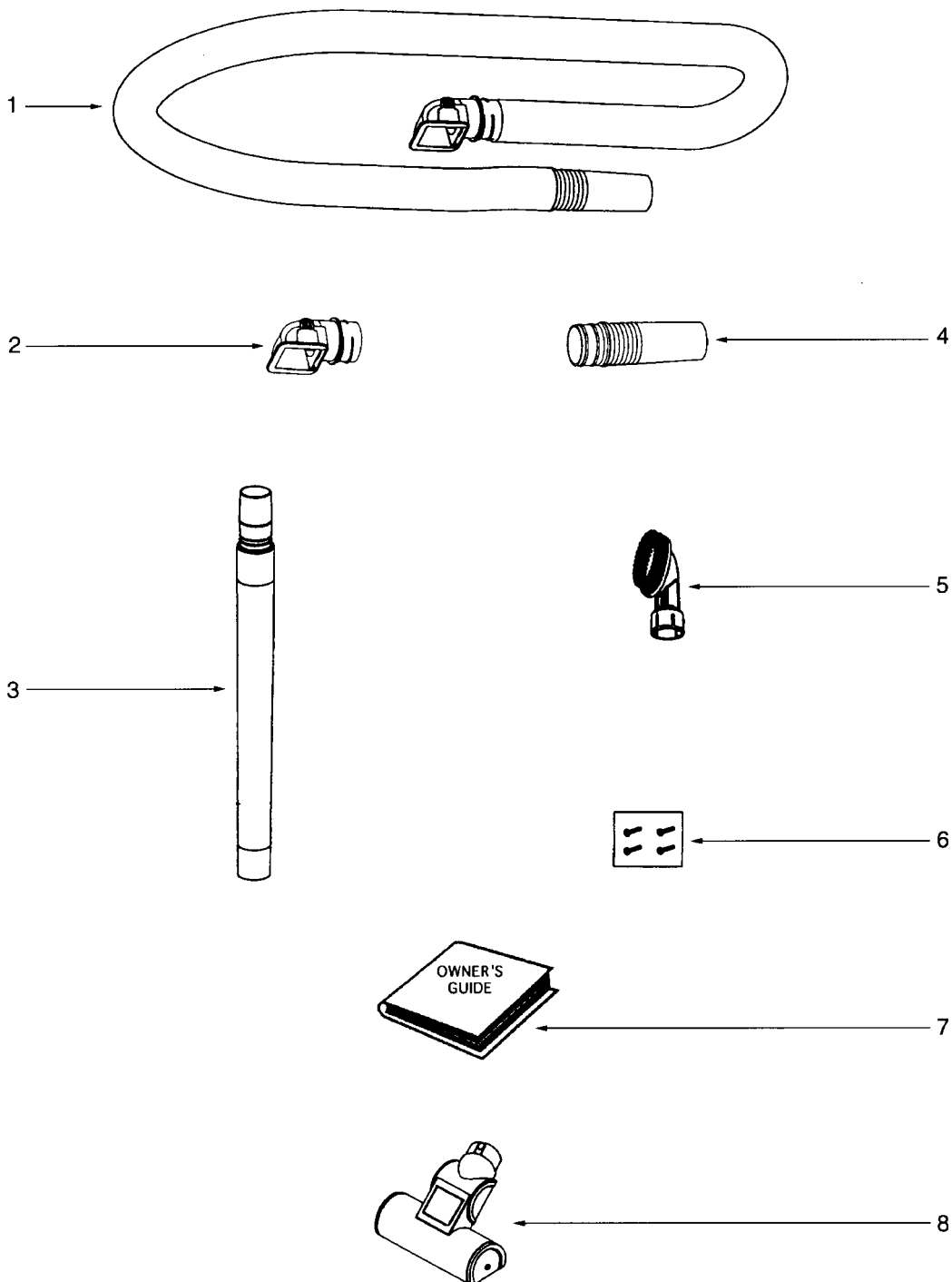
EUREKA UPRIGHTS

5800 Series

ATTACHMENTS

Litespeed Bagless Upright

Models: 5810A, 5840A, 5843AV, 5844AV



- 1 E-618651 Hose assembly
- 2 E-71725313N Hose adapter
- 3 E-71492 Nested wands (straight and crevice wands)
- 4 E-70559119N Hose coupling
- 5 E-609902 Combination brush
- 6 E-71917 Hardware package
- E-59930A Hardware package, 5844AV
- 8 E-61775 Mini turbo, 5843AV

PHONE: 1-800-822-7467 FAX: 847-647-0534 E-MAIL: sales@hescoinc.com WEB: www.hescoinc.com