

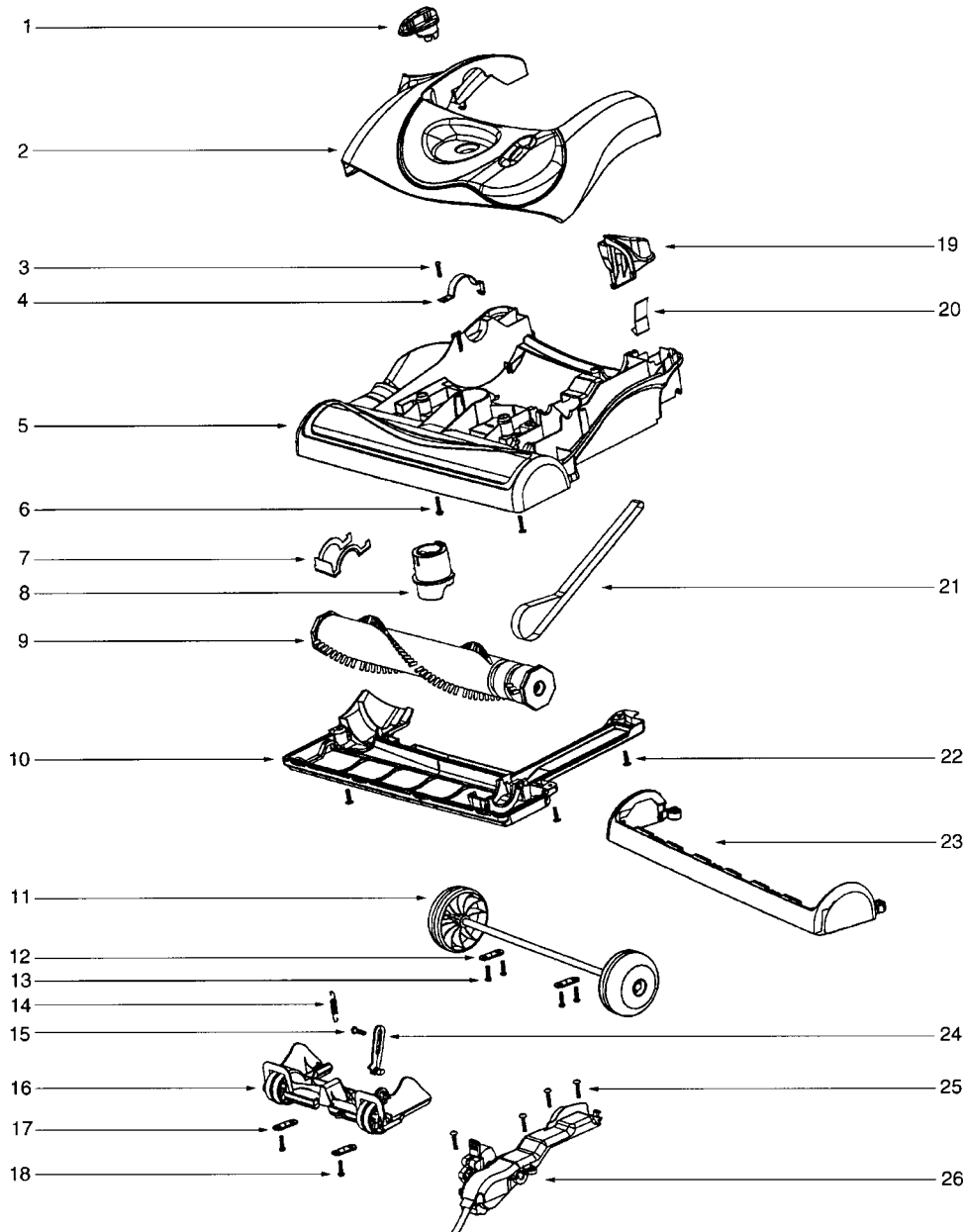
EUREKA UPRIGHTS

4800 Series

NOZZLE ASSEMBLY

Ultra Smart Vac Cyclonic

Models: 4885BT



- | | | | | | | | | | |
|----|-------|-------------|-------|------------------------------|----|-------|--------------|-------|------------------------------|
| 1 | | E-70031333N | | Height adjustment knob | 14 | | E-54943 | | Spring, 10 pk |
| 2 | | E-612528 | | Hood assembly | 15 | | E-60860 | | Shoulder screw, 10 pk |
| 3 | | E-5323827 | | Screw, 10 pk | 16 | | E-70034119N | | Wheel carriage assembly |
| 4 | | E-384202 | | Clamp | | | E-39173A119N | | Front wheel |
| 5 | | E-6125334 | | Base assembly | | | E-700221 | | Front axle, 10 pk |
| 6 | | E-5323827 | | Screw, 10 pk | 17 | | E-53201 | | Axle clamp, 10 pk |
| 7 | | E-70039 | | Felt gasket | 18 | | E-5323827 | | Screw, 10 pk |
| 8 | | E-70030119N | | Height adjustment actuator | 19 | | E-70042333N | | Handle release |
| 9 | | E-612501 | | Brushroll assembly | 20 | | E-70043 | | Handle release spring |
| 10 | | E-70024ASV | | Soleplate assembly | 21 | | E-61110 | | Belt, extended life, style R |
| 11 | | E-70026SV | | Rear wheel and axle assembly | 22 | | E-532388 | | Screw, 10 pk |
| | | E-70027119N | | Rear wheel | 23 | | E-70041288N | | Furniture guard |
| | | E-700291 | | Rear axle | 24 | | E-7199119N | | Linkage arm |
| 12 | | E-53201 | | Axle clamp, 10 pk | 25 | | E-5323827 | | Screw, 10 pk |
| 13 | | E-5323811 | | Screw, 10 pk | 26 | | E-70194CSV | | Idler/clamp assembly |

PHONE: 1-800-822-7467 FAX: 847-647-0534 E-MAIL: sales@hescoinc.com WEB: www.hescoinc.com

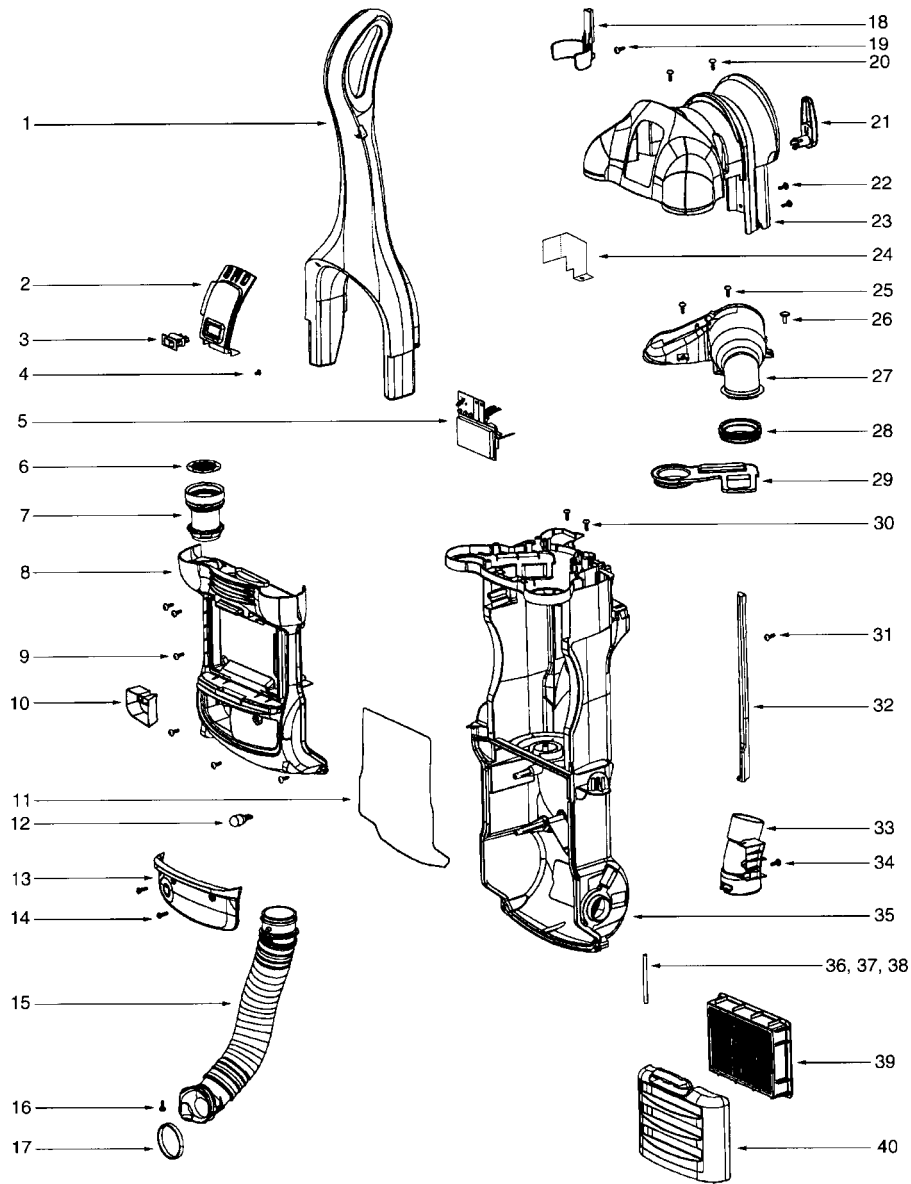
EUREKA UPRIGHTS

HOUSING ASSEMBLY

Models: 4885BT

4800 Series

Ultra Smart Vac Cyclonic



- 1 E-705401 Upper handle assembly
- 2 E-705543 Electronics cover
- 3 E-39455 Switch
- 4 E-5323845 Screw, 10 pk
- 5 E-61774 PC Board
- 6 E-71145 Motor intake screen
- 7 E-70612 Filter tube seal
- 8 E-617734 Motor cover
- 9 E-5323827 Screw, 10 pk
- 10 E-71339 Light shield
- 11 E-700551 Gasket
- 12 E-579402 Headlight
- 13 E-70552313N Lens
- 14 E-546693 Screw, 10 pk
- 15 E-705881 Connector hose
- 16 E-5323827 Screw, 10 pk
- 17 E-70654 Base adapter seal

- 18 E-70618119N Filter tube retainer
- 19 E-5323827 Screw, 10 pk
- 20 E-5323827 Screw, 10 pk
- 21 E-28013119N Cord release
- 22 E-5323827 Screw, 10 pk
- 23 E-70543377M Top cover
- 24 E-71721A PC Board retainer
- 25 E-5323827 Screw, 10 pk
- 26 60160 Screw, 10 pk
- 27 E-70577A Cyclone assembly
- 28 E-70770119N Dirt cup gasket
- 29 E-70617119N Cyclone gasket
- 30 E-5323827 Screw, 10 pk
- 31 E-5323827 Screw, 10 pk
- 32 E-70576119N cord and tubing cover
- 33 E-70546119N Coupling adapter
- 34 E-5323827 Screw, 10 pk
- 35 E-70550B119N rear housing
- 36 E-70548A1 Indicator hose
- 37 E-70548A2 Indicator hose
- 38 E-70548A3 Indicator hose
- 39 E-61111 HEPA filter
- 40 E-705573 Filter cover

PHONE: 1-800-822-7467 FAX: 847-647-0534 E-MAIL: sales@hescoinc.com WEB: www.hescoinc.com

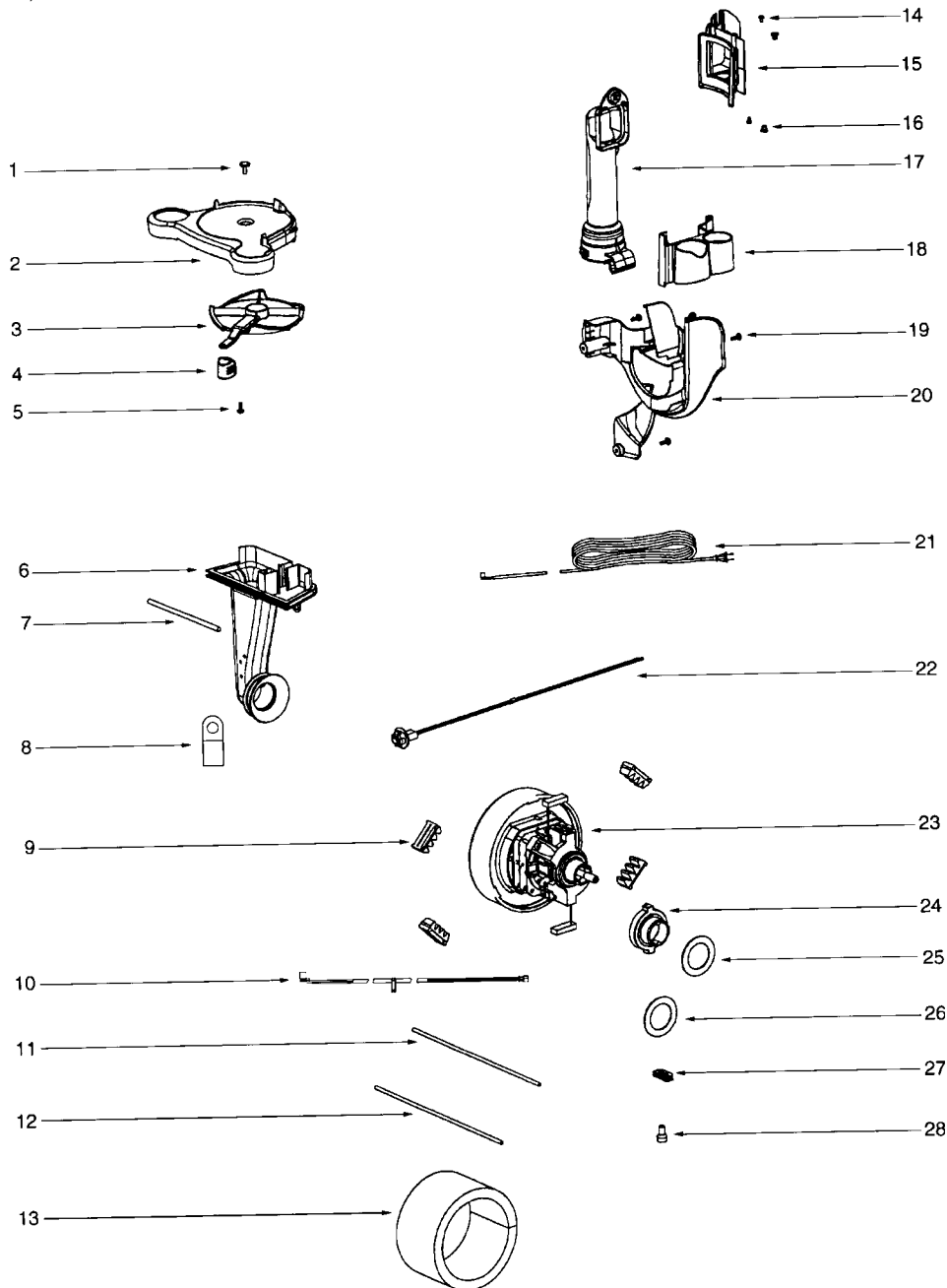
EUREKA UPRIGHTS

4800 Series

MOTOR ASSEMBLY

Ultra Smart Vac Cyclonic

Models: 4885BT



- | | | | | | | | | | |
|----|-------|-------------|-------|----------------------------|----|-------|-------------|-------|--------------------------------|
| 1 | | E-60160 | | Screw, 10 pk | 15 | | E-708431 | | Dirt sensor housing |
| 2 | | E-71413A6 | | Platform assembly | 16 | | E-70817313N | | Dirt sensor lens |
| 3 | | E-70573119N | | Elevator cam | 17 | | E-706221 | | Dirt tube assembly |
| 4 | | E-70615333N | | Elevator knob | 18 | | E-70547119N | | Wand and crevice tool retainer |
| 5 | | E-532384 | | Screw, 10 pk | 19 | | E-5323827 | | Screw, 10 pk |
| 6 | | E-706081SV | | Air duct assembly | 20 | | E-70563119N | | Tool caddy |
| 7 | | E-700553 | | Gasket | 21 | | E-3868027 | | Supply cord |
| 8 | | E-576871 | | Cable clamp | 22 | | E-713312 | | Socket and terminal assembly |
| 9 | | E-70085 | | Motor support gasket | 23 | | E-612562 | | Motor assembly |
| 10 | | E-70609 | | Cord and terminal assembly | 24 | | E-7004 | | Motor support bushing |
| 11 | | E-70651 | | Tube | 25 | | E-719691 | | Motor hub gasket |
| 12 | | E-706511 | | Tube | 26 | | E-719692 | | Motor hub gasket |
| 13 | | E-70652 | | Sound foam | 27 | | E-70620288N | | Grommet |
| 14 | | E-5323845 | | Screw, 10 pk | 28 | | E-601921 | | Wire splice, 5 pk |

PHONE: 1-800-822-7467 FAX: 847-647-0534 E-MAIL: sales@hescoinc.com WEB: www.hescoinc.com

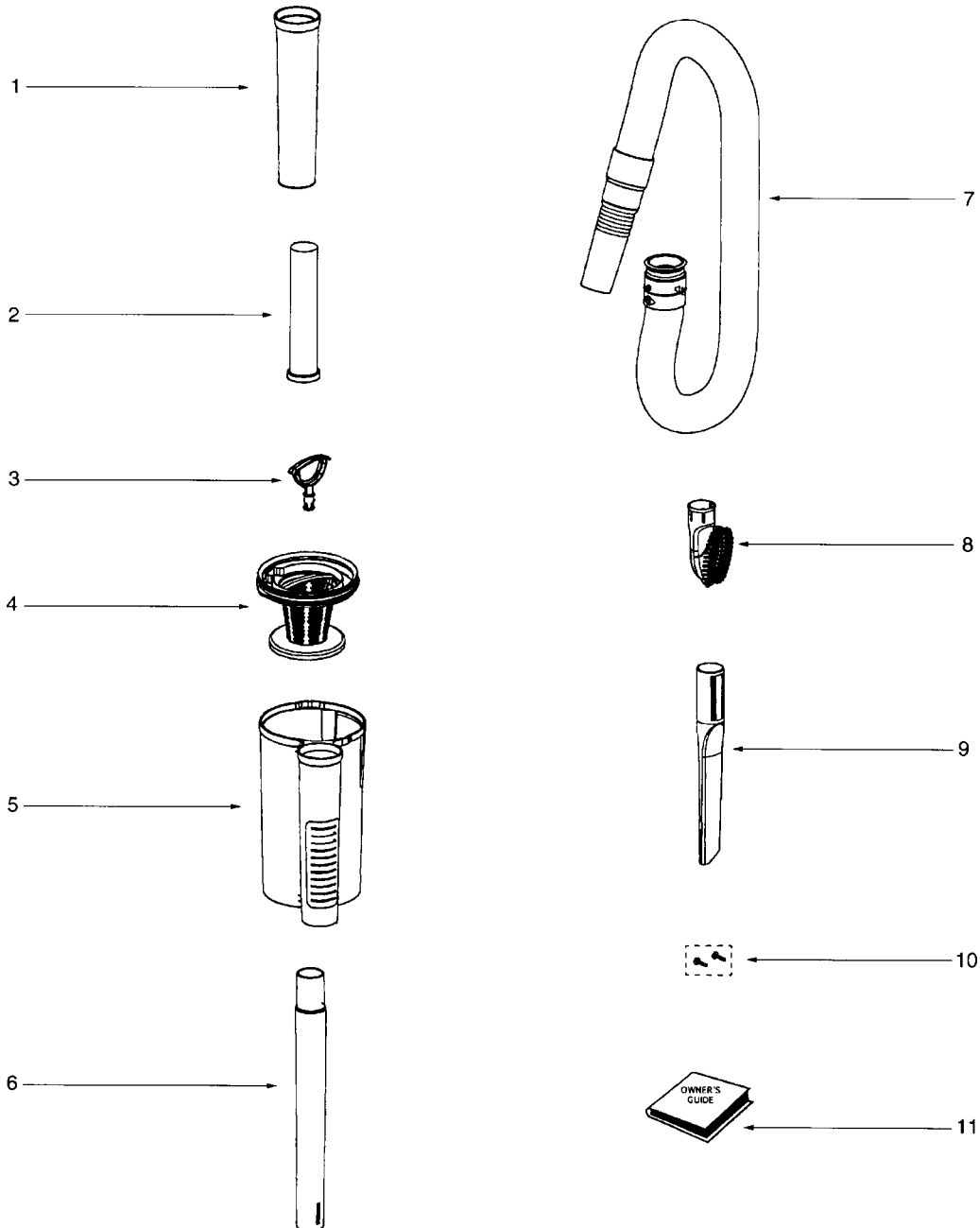
EUREKA UPRIGHTS

4800 Series

ATTACHMENTS

Ultra Smart Vac Cyclonic

Models: 4885BT



- 1 E-71681 Pre-motor filter tube
- 2 E-71643 Pre-motor filter
- 3 E-70611119N Filter screen handle
- 4 E-71548 Filter screen assembly
- 5 E-614982 Dirt cup assembly
- 6 E-711192 Extension tubes
- 7 E-614991 Hose assembly
- 8 E-609902 Combination brush
- 9 E-28251119N Crevice tool
- 10 E-71031 Hardware package

PHONE: 1-800-822-7467 FAX: 847-647-0534 E-MAIL: sales@hescoinc.com WEB: www.hescoinc.com