

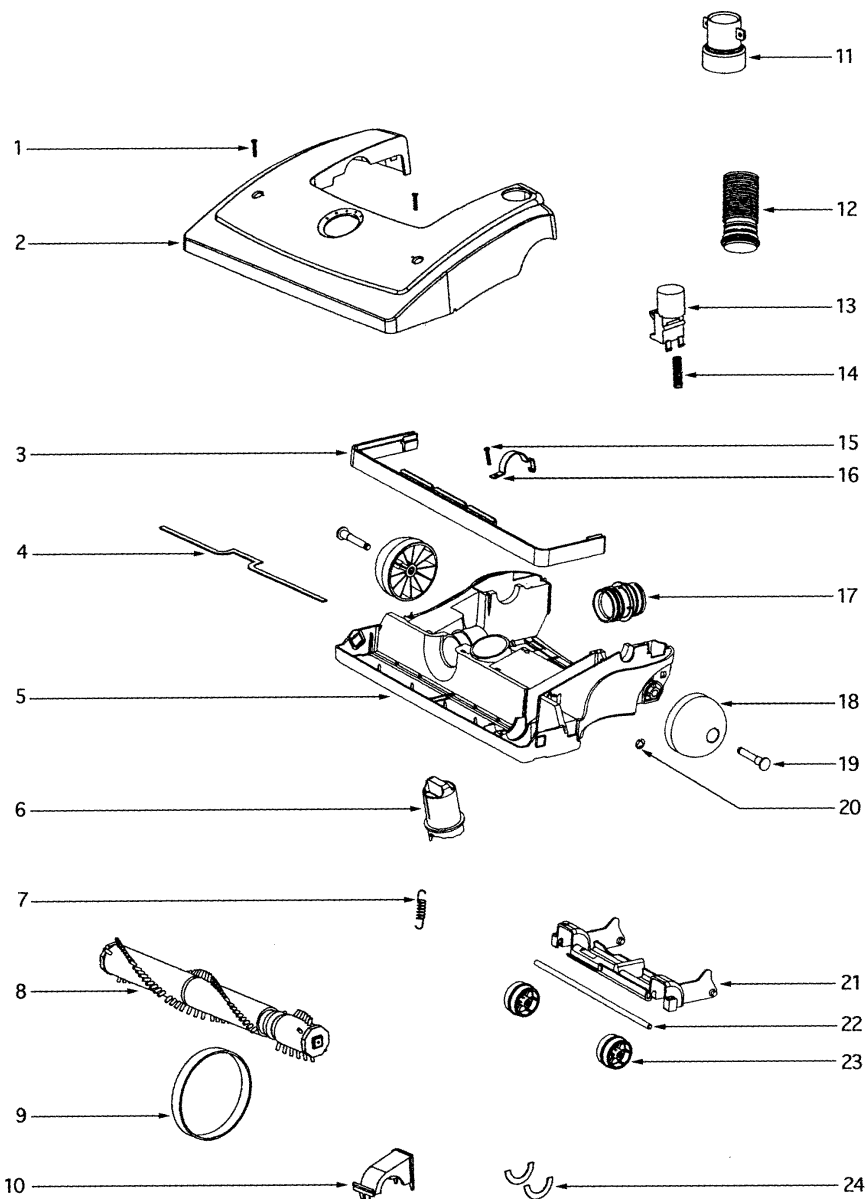
# EUREKA UPRIGHTS

Models: 4684B

## 4600 Series

### Victory Whirlwind

- 1 ..... E-5323844 ..... Screw, 10 pk
- 2 ..... E-6136421 ..... Hood assembly
- 3 ..... E-15591A288N ... Furniture guard
- 4 ..... E-585064 ..... Gasket
- 5 ..... E-6070111 ..... Base assembly
- 6 ..... E-27462E288N ... Height adjustment knob
- 7 ..... E-54943 ..... Spring, 10 pk
- 8 ..... E-613082 ..... Brushroll assembly
- 9 ..... E-61120 ..... Belt, 2 pk
- 10 ..... E-543762 ..... Belt cap assembly
- 11 ..... E-27468D119N ... Hose cuff
- 12 ..... E-384794 ..... Compression hose
- 13 ..... E-27467A288N ... Handle release button
- 14 ..... E-60133 ..... Compression spring, 5 pk
- 15 ..... E-531971 ..... Screw, 10 pk
- 16 ..... E-384202 ..... Clamp
- 17 ..... E-28243A316N ... Base adapter
- 18 ..... E-27493A119N ... Rear wheel
- 19 ..... E-38590A ..... Rear axle
- 20 ..... E-54432 ..... Retaining ring
- 21 ..... E-14993C119N ... Wheel carriage
- 22 ..... E-71551 ..... Front axle
- 23 ..... E-39173A119N ... Front wheel
- 24 ..... E-57569 ..... Felt gasket

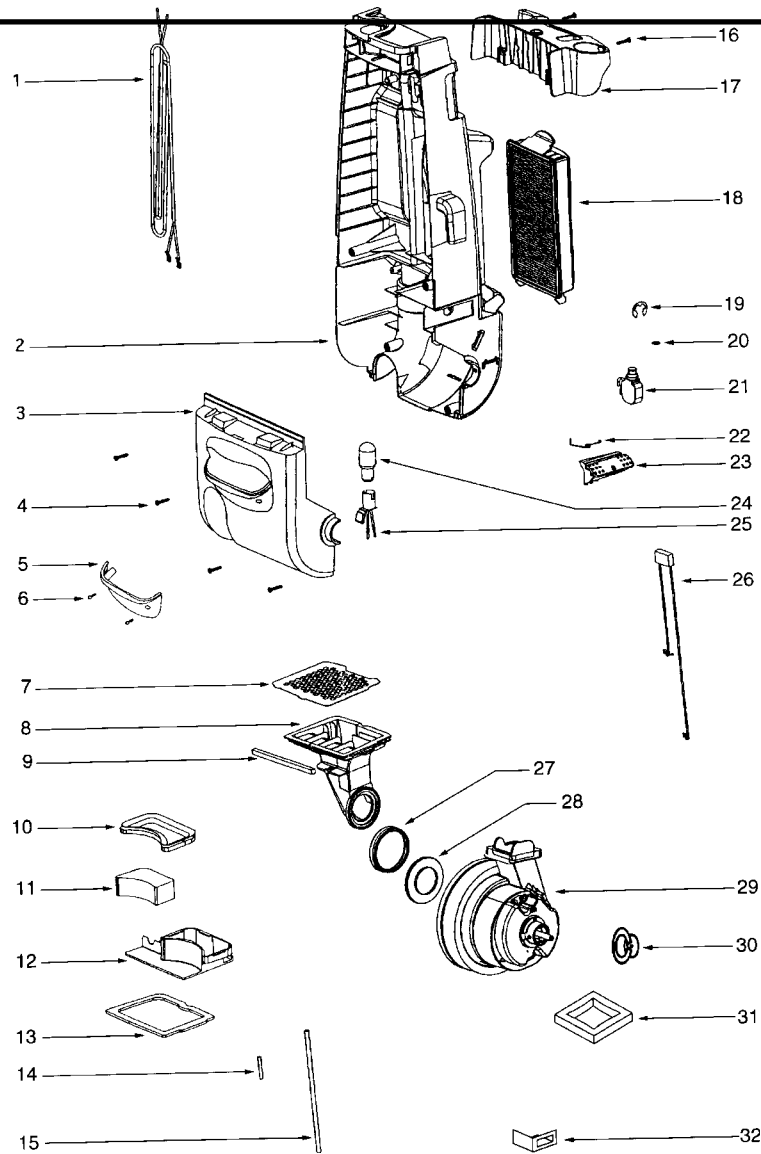


# EUREKA UPRIGHTS

## 4600 Series

Models: 4684B

### Victory Whirlwind



- 1 ..... E-3868017 ..... Supply cord
- 2 ..... E-607033 ..... Rear housing
- 3 ..... E-6143215 ..... Motor cover assembly
- 4 ..... E-531971 ..... screw, 10 pk
- 5 ..... E-15072313N ..... Lens
- 6 ..... E-600682 ..... Screw, 10 pk
- 7 ..... E-28425 ..... Air duct grille
- 8 ..... E-15408B119N ... Air duct
- 9 ..... E-59297SV ..... Air duct gasket
- 10 ..... E-70642 ..... Motor intake gasket
- 11 ..... E-39348 ..... Pre-motor filter
- 12 ..... E-39346119N ..... Motor intake adapter
- 13 ..... E-39349 ..... Motor adapter gasket
- 14 ..... E-59361A ..... Adapter tube
- 15 ..... E-59362B ..... Tube
- 16 ..... E-531971 ..... Screw, 10 pk

- 17 ..... E-15443B119N ... Tool caddy
- 18 ..... E-61510 ..... HEPA filter
- 19 ..... E-601651 ..... Retaining ring, 10 pk
- 20 ..... E-60613 ..... Push on nut, 10 pk
- 21 ..... E-28304A ..... switch
- 22 ..... E-60134 ..... Torsion spring, 5 pk
- 23 ..... E-27474C288N ... Switch button
- 24 ..... E-48815 ..... Headlight
- 25 ..... E-386111 ..... Headlight socket
- 26 ..... E-392522 ..... Thermostat
- 27 ..... E-27171A ..... Motor intake gasket
- 28 ..... E-39023 ..... Motor intake flange
- 29 ..... E-6062516 ..... Motor assembly
- 30 ..... E-27552B ..... Grommet
- 31 ..... E-59137 ..... Motor exhaust gasket
- 32 ..... E-70355 ..... Switch shield

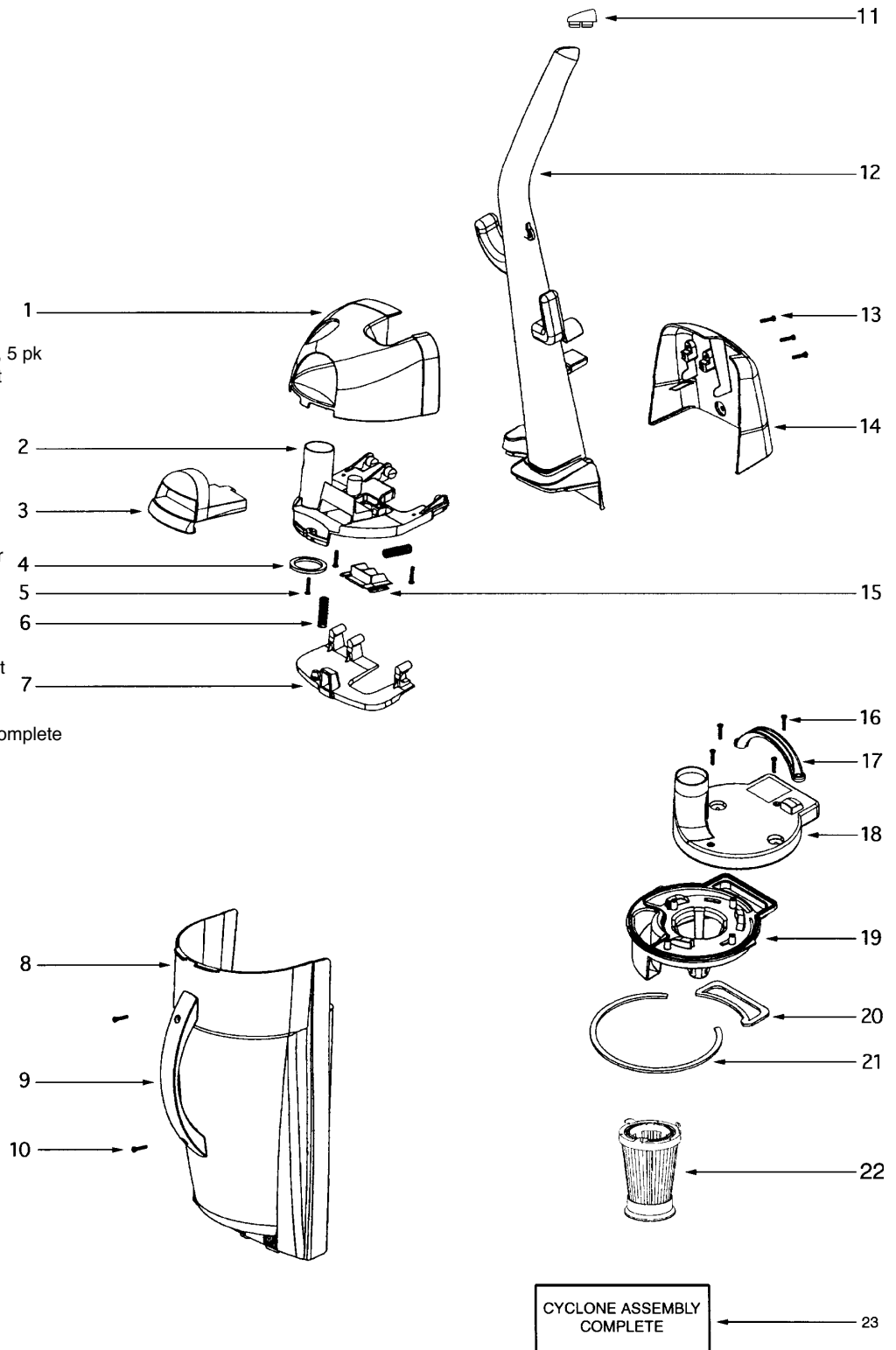
# EUREKA UPRIGHTS

## 4600 Series

Models: 4684B

### Victory Whirlwind

- 1 ..... E-613657 ..... Top cover assembly
- 2 ..... E-15687119N ..... Top hinge support
- 3 ..... E-39347A288N ... Latch
- 4 ..... E-70644 ..... Gasket
- 5 ..... E-531971 ..... Screw, 10 pk
- 6 ..... E-60133 ..... Compression spring, 5 pk
- 7 ..... E-28462119N ..... Front handle bracket
- 8 ..... E-6131613 ..... Dust cup assembly
- 9 ..... E-28460313N ..... Dust cup handle
- 10 ..... E-531973 ..... Screw, 10 pk
- 11 ..... E-38482A119N ... Handle cap
- 12 ..... E-711391 ..... Handle assembly
- 13 ..... E-531971 ..... Screw, 10 pk
- 14 ..... E-28463119N ..... Rear handle bracket
- 15 ..... E-70857119N ..... Spring support cover
- 16 ..... E-531971 ..... Screw, 10 pk
- 17 ..... E-70856333N ..... Plenum handle
- 18 ..... E-28461288N ..... Plenum
- 19 ..... E-15686288N ..... Cyclone
- 20 ..... E-39350 ..... Plenum cover gasket
- 21 ..... E-39351 ..... Cyclone gasket
- 22 ..... E-61805 ..... Pleated filter
- 23 ..... E-614742 ..... Cyclone assembly complete

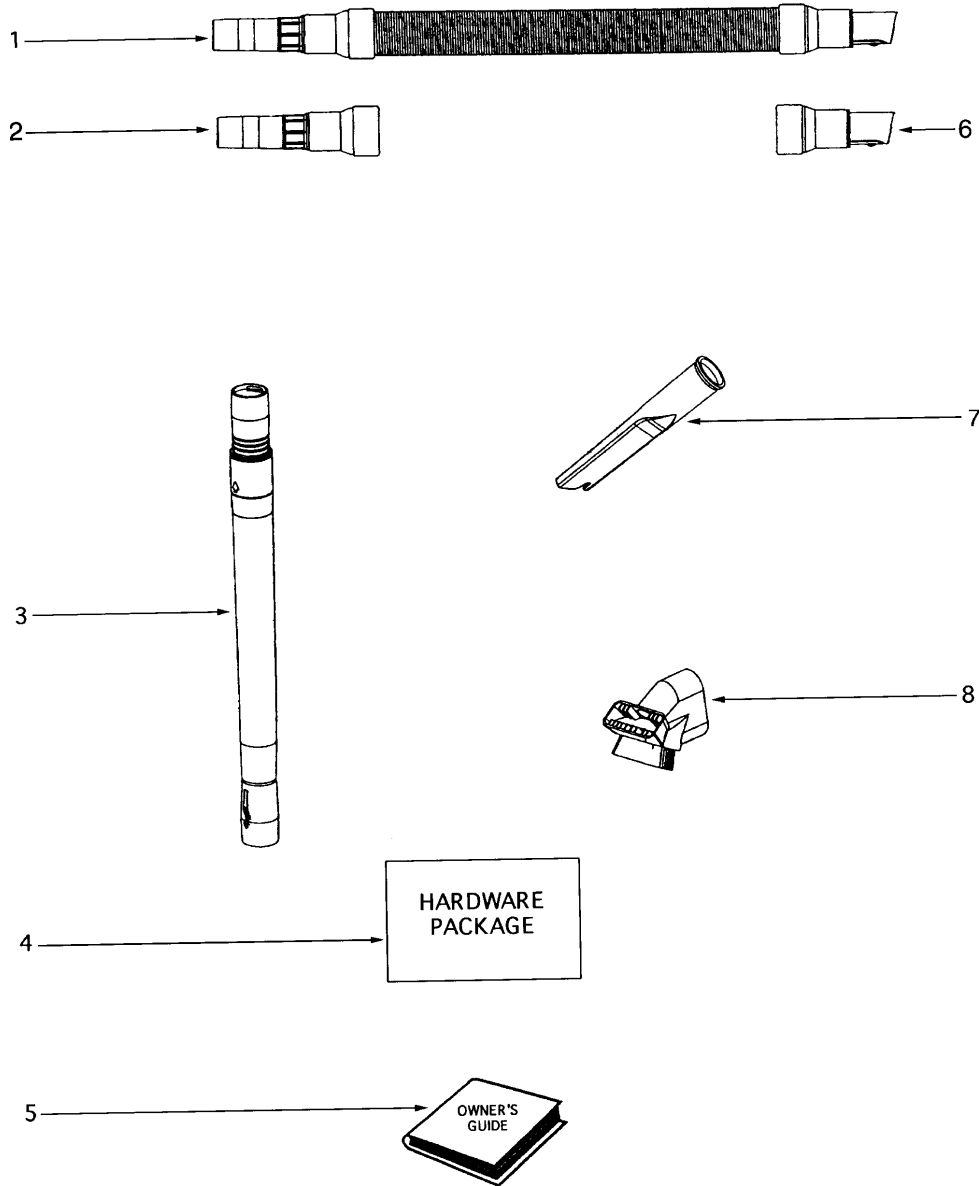


# EUREKA UPRIGHTS

## 4600 Series

Models: 4684B

Victory Whirlwind



- 1 ..... E-612242 ..... Hose assembly
- 2 ..... E-37057A3 ..... Hose coupling
- 3 ..... E-58728B ..... Nesting wands
- 4 ..... E-71917 ..... Hardware package
- 6 ..... E-39279333N ..... Hose connector
- 7 ..... E-272373 ..... Crevice tool
- 8 ..... E-61037 ..... Combination tool