

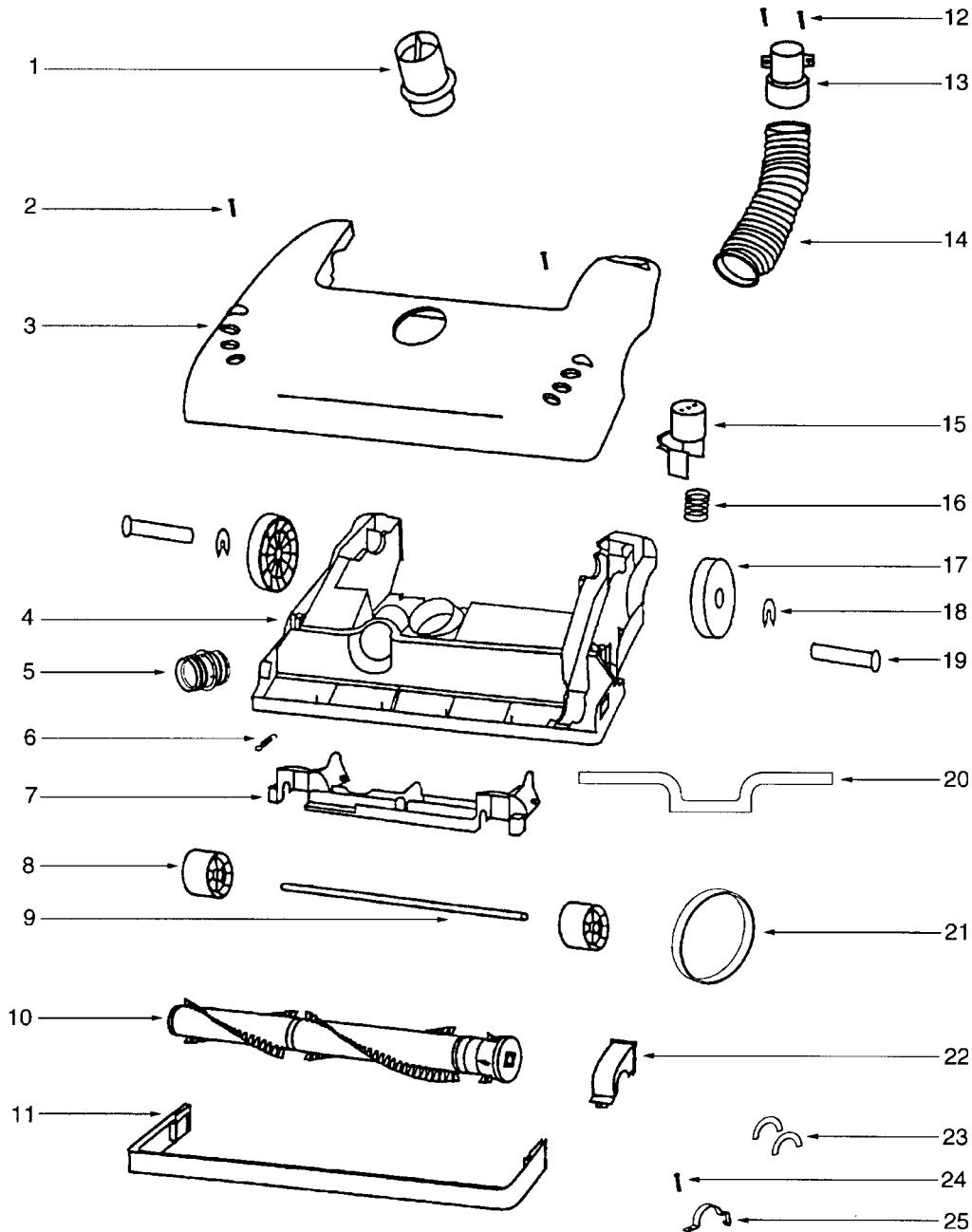
EUREKA UPRIGHTS

4300 / 4400 Series

NOZZLE ASSEMBLY

Victory Upright

Models: 4463AV, 4467AV



- 1 E-27462E288N Height adjustment knob
- 2 E-5323844 Screw, 10 pk
- 3 E-6006970 hood assembly
E-6006971 Hood assembly, 4467AV
- 4 E-6070111 Base assembly
- 5 E-28243A316N Base adapter
- 6 E-54943 Spring, 10 pk
- 7 E-14993C119N Wheel carriage
- 8 E-39173A119N Front wheel
- 9 E-71551 Front axle
- 10 E-613082 Brushroll assembly
- 11 E-15591A288N Furniture guard
- 12 E-531971 Screw, 10 pk

- 13 E-27468D119N Hose cuff
- 14 E-384794 Hose
- 15 E-27467A288N Handle release
- 16 E-60133 Compression spring, 5 pk
- 17 E-27493A119N rear wheel
- 18 E-54432 Retaining wheel
- 19 E-38590A Rear axle
- 20 E-585064 Gasket
- 21 E-61120 Belt, 2 pk
- 22 E-543762 Belt cap assembly
- 23 E-57569 Felt gasket
- 24 E-531971 Screw, 10 pk
- 25 E-384202 Clamp

PHONE: 1-800-822-7467 FAX: 847-647-0534 E-MAIL: sales@hescoinc.com WEB: www.hescoinc.com

EUREKA UPRIGHTS

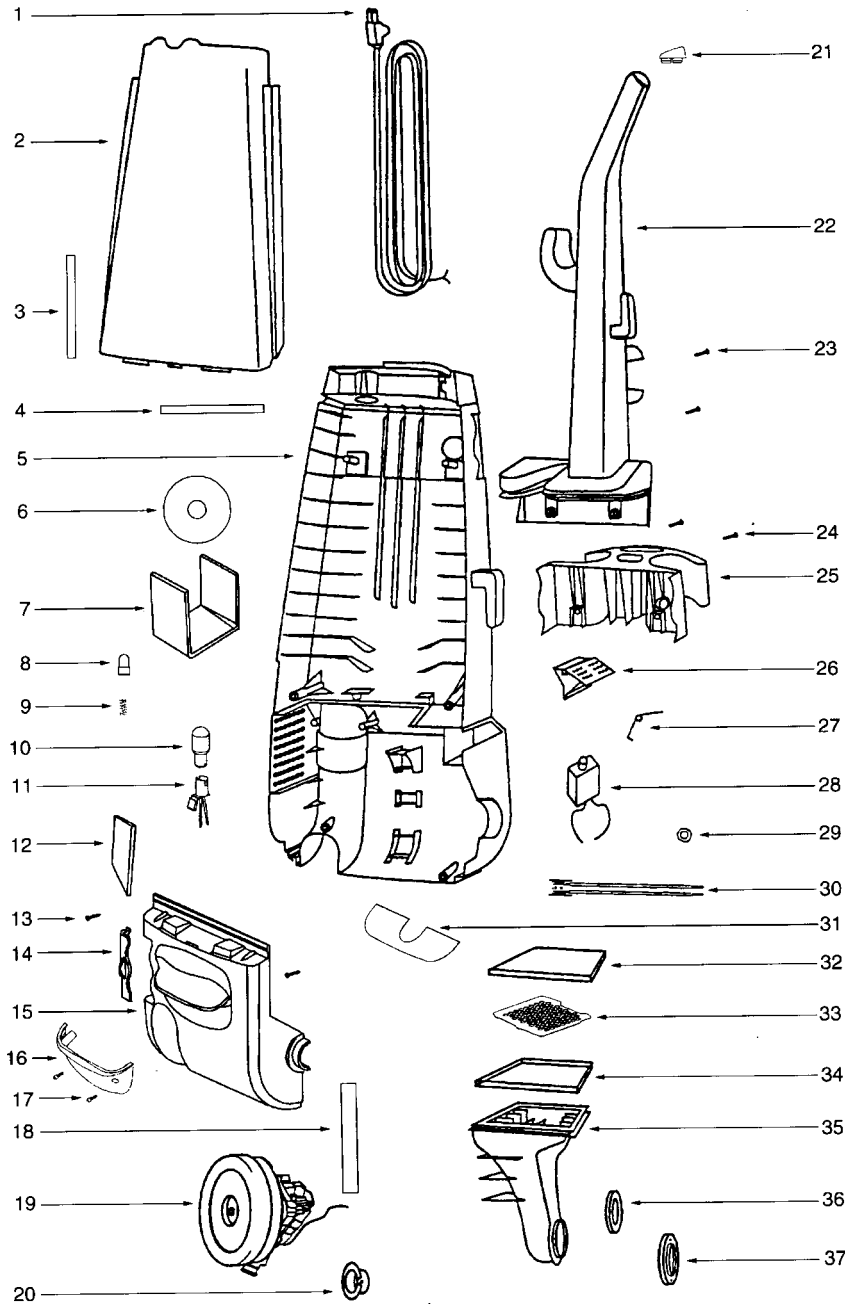
4300 / 4400 Series

HOUSING ASSEMBLY

Victory Upright

Models: 4463AV, 4467AV

- 1 E-3868016 Supply cord
- 2 E-5493691 Bag cover assembly
- E-5493692 Bag cover assembly, 4467AV
- 3 E-58505 Bag cover gasket
- 4 E-38613 Bag cover gasket (bottom)
- 5 E-6012622 rear housing
- 6 E-38688A Motor shield
- 7 E-38661 Sound foam
- E-722241 Sound foam, 4467AV
- 8 E-38678119N Plunger
- 9 E-55794 Spring
- 10 E-48815 Headlight
- 11 E-586111 Headlight socket
- 12 E-61505 HEPA exhaust filter, style HF4, 3 pk
- 13 E-531971 Screw, 10 pk
- 14 E-27549288N Filter door
- 15 E-6143222 Motor cover assembly
- E-614324 Motor cover assembly, 4467AV
- 16 E-15072313N Lens
- 17 E-600682 Screw, 10 pk
- 18 E-27962 Gasket
- 19 E-6026111 Motor assembly
- 20 E-27552B Grommet
- 21 E-38482A119N Handle cap
- 22 E-711391 Handle assembly
- 23 E-5323844 screw, 10 pk
- 24 E-531971 Screw, 10 pk
- 25 E-02093A119N Tool caddy
- 26 E-27474C288N Switch button
- 27 E-60134 Torsion spring, 5 pk
- 28 E-28304A Switch
- 29 E-601651 retaining clip, 10 pk
- 30 E-392522 Thermostat assembly
- 31 E-38696 Light shield
- 32 E-61333 Motor filter. 2 pk
- 33 E-28425 Air duct grille
- 34 E-59297SV Air duct gasket
- 35 E-15536A119N Air duct
- 36 E-27171A Motor intake gasket
- 37 E-39023 Motor intake flange



EUREKA UPRIGHTS

4300 / 4400 Series

ATTACHMENTS

Victory Upright

Models: 4463AV, 4467AV

- 1 E-610281 Hose assembly
- 2 E-27461B119N Hose adapter
- 3 E-58728B Nested wands
- 4 E-59930A Hardware package
- 6 E-37057A3 Hose coupling
- 7 E-272373 Crevice tool
- 8 E-61037 Combination tool
- 9 E-58623A Disposable bags, style AA Filteraire, 3 pk
- 10 E-28612A Turbo nozzle
- 11 E-392312 Hose strap, 4467AV
- 12 E-39152A333N Hook plate, 4467AV

