

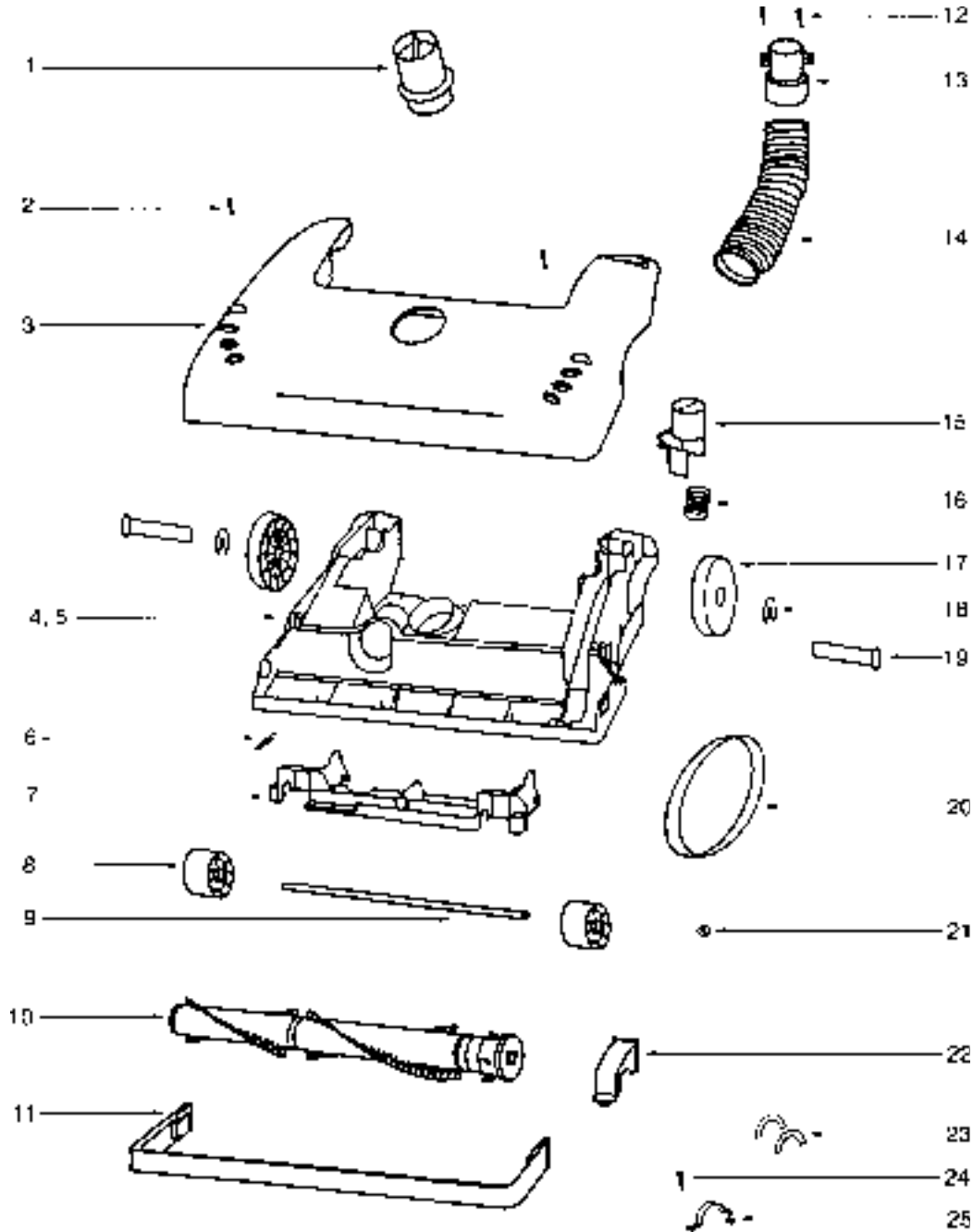
# EUREKA UPRIGHTS

## 4300 / 4400 Series

### NOZZLE ASSEMBLY

Victory Whirlwind

Models: 4384AT-1



- 1 ..... E-27462E288N ..... Height adjustment knob
- 2 ..... E-5323844 ..... Screw, 10 pk
- 3 ..... E-5493350 ..... Hood assembly
- 4 ..... E-6084310 ..... Base assembly
- 5 ..... E-28243A316N ..... Base adapter
- 6 ..... E-54943 ..... Spring, 10 pk
- 7 ..... E-14993C119N ..... Wheel carriage
- 8 ..... E-39173A119N ..... Front wheel
- 9 ..... E-71551 ..... Front axle
- 10 ..... E-602513 ..... Disturbulator assembly
- 11 ..... E-15237A288N ..... Furniture guard
- 12 ..... E-531971 ..... screw, 10 pk
- 13 ..... E-27468D119N ..... Hose cuff

- 14 ..... E-384794 ..... Compression hose
- 15 ..... E-27467A288N ..... Handle release
- 16 ..... E-60133 ..... Compression spring, 5 pk
- 17 ..... E-39260B288N ..... rear wheel
- 18 ..... E-54432 ..... Retaining ring
- 19 ..... E-38590A ..... Rear axle
- 20 ..... E-61120 ..... belt, 2 pk
- 21 ..... E-60613 ..... Push on nut, 10 pk
- 22 ..... E-543762 ..... Belt cap assembly
- 23 ..... E-57569 ..... Felt gasket
- 24 ..... E-531971 ..... Screw, 10 pk
- 25 ..... E-384202 ..... Clamp

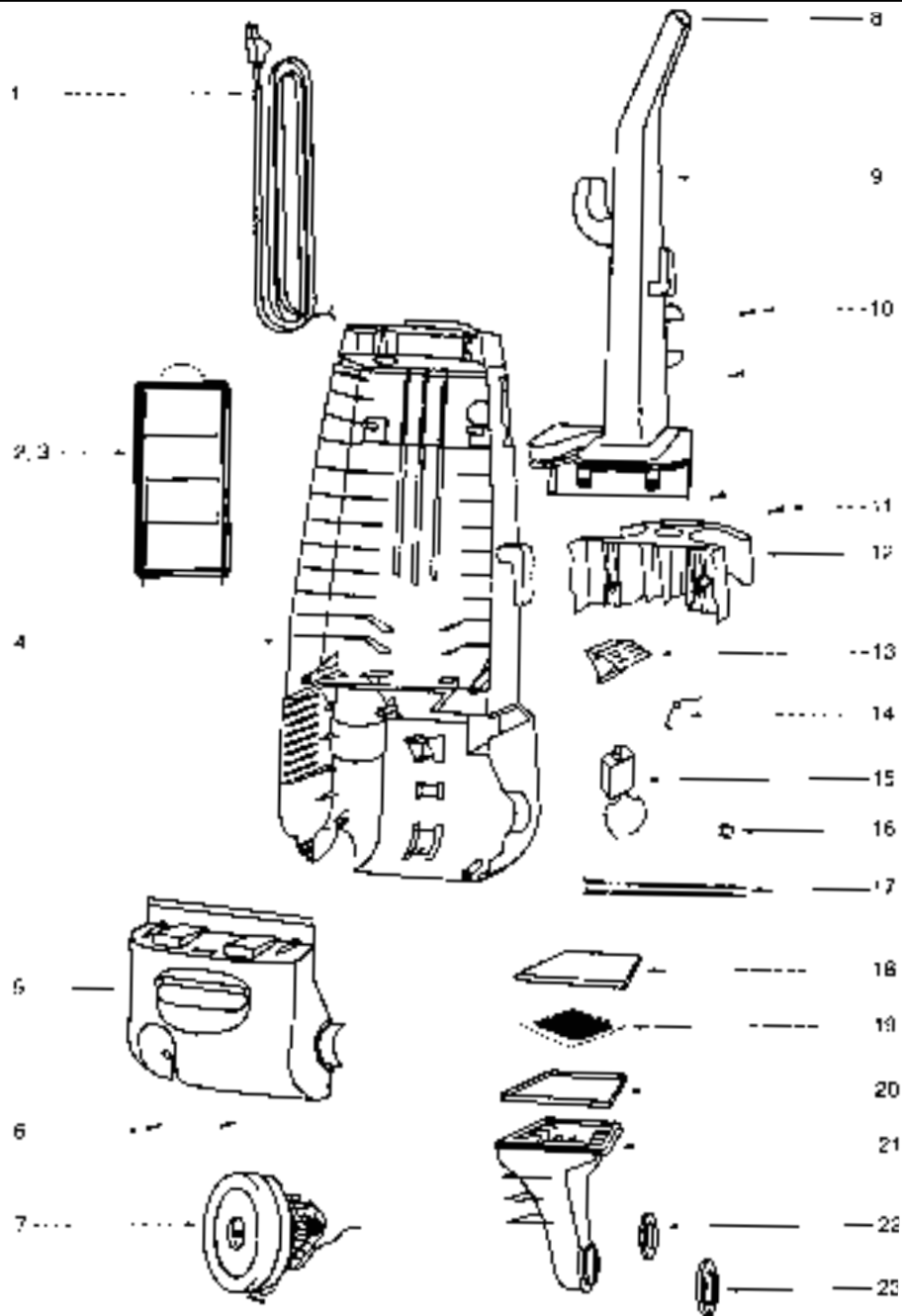
# EUREKA UPRIGHTS

## 4300 / 4400 Series

### HOUSING ASSEMBLY

Victory Whirlwind

Models: 4384AT-1



- 1 ..... E-3868016 ..... Supply cord
- 2 ..... E-60801 ..... Exhaust filter, 2 pk
- 3 ..... E-284562 ..... Filter frame
- 4 ..... E-607033 ..... Rear housing
- 5 ..... E-6078811 ..... Motor cover assembly
- 6 ..... E-531971 ..... Screw, 10 pk
- 7 ..... E-607754 ..... Motor assembly
- E-70840 ..... Grommet
- E-59137 ..... Motor exhaust gasket
- 8 ..... E-38482A119N ..... Handle cap
- 9 ..... E-711391 ..... Handle assembly
- 10 ..... E-546694 ..... screw, 10 pk
- 11 ..... E-531971 ..... Screw, 10 pk

- 12 ..... E-15443B119N ..... Tool caddy
- 13 ..... E-27474C288N ..... switch button
- 14 ..... E-60134 ..... Torsion spring
- 15 ..... E-28304A ..... Switch assembly
- 16 ..... E-601651 ..... Retaining clip, 10 pk
- 17 ..... E-392522 ..... Thermostat assembly
- 18 ..... E-61333 ..... Motor filter, 2 pk
- 19 ..... E-28425 ..... Air duct grille
- 20 ..... E-59297SV ..... Air duct gasket
- 21 ..... E-15536A119N ..... Air Duct
- 22 ..... E-27171A ..... Motor intake gasket
- 23 ..... E-39023 ..... Motor intake flange

**PHONE: 1-800-822-7467 FAX: 847-647-0534 E-MAIL: sales@hescoinc.com WEB: www.hescoinc.com**

# EUREKA UPRIGHTS

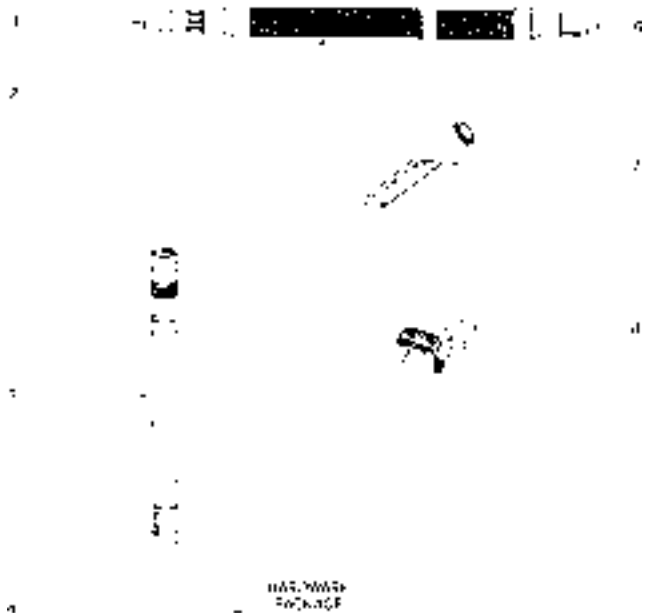
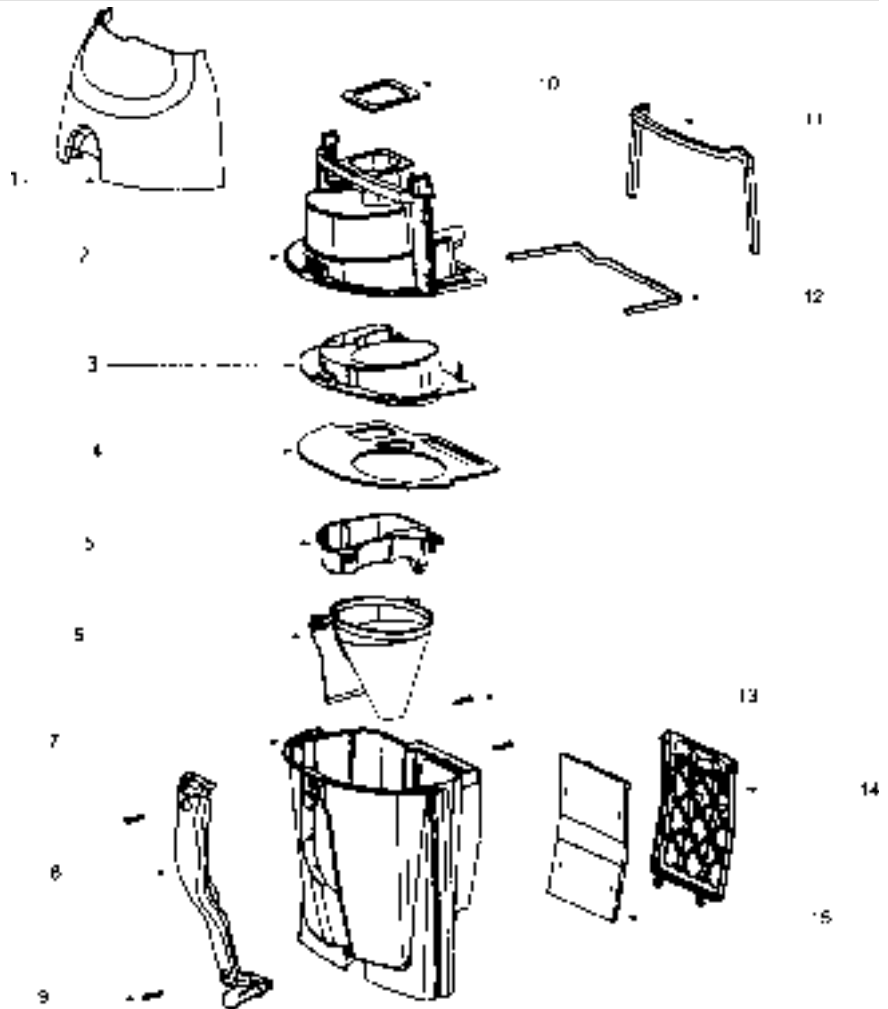
## 4300 / 4400 Series

### CYCLONE ASSEMBLY/ATTACHMENTS

Victory Whirlwind

Models: 4384AT-1

- 1 ..... E-6070427 ..... Front cover
- 2 ..... E-607055 ..... Cyclone assembly
- 3 ..... Lower cyclone, with #2 only
- 4 ..... E-39219B1 ..... Gasket sheet
- 5 ..... E-28099B333N ... Filter screen
- 6 ..... E-71568 ..... Cyclone funnel with gasket
- 7 ..... E-607063 ..... Cyclonic cassette assembly
- 8 ..... E-28131288N ..... Dirt cup grip
- 9 ..... E-531971 ..... Screw, 10 pk
- 10 ..... E-39219B1 ..... Gasket sheet
- 11 ..... E-595951 ..... Cyclone gasket
- 12 ..... E-592972SV ..... Air duct gasket
- 13 ..... E-531971 ..... Screw, 10 pk
- 14 ..... E-28114119N ..... Filter frame
- 15 ..... E-60696 ..... Filter, 2 pk



- 1 ..... E-37057A3 ..... Hose coupling
- 2 ..... E-610281 ..... Hose assembly
- 3 ..... E-58728B ..... Nesting wand set
- 4 ..... E-58607 ..... Hardware package
- 6 ..... E-27461B119N ... Hose adapter
- 7 ..... E-272373 ..... Crevice tool
- 8 ..... E-61037 ..... Combination tool