

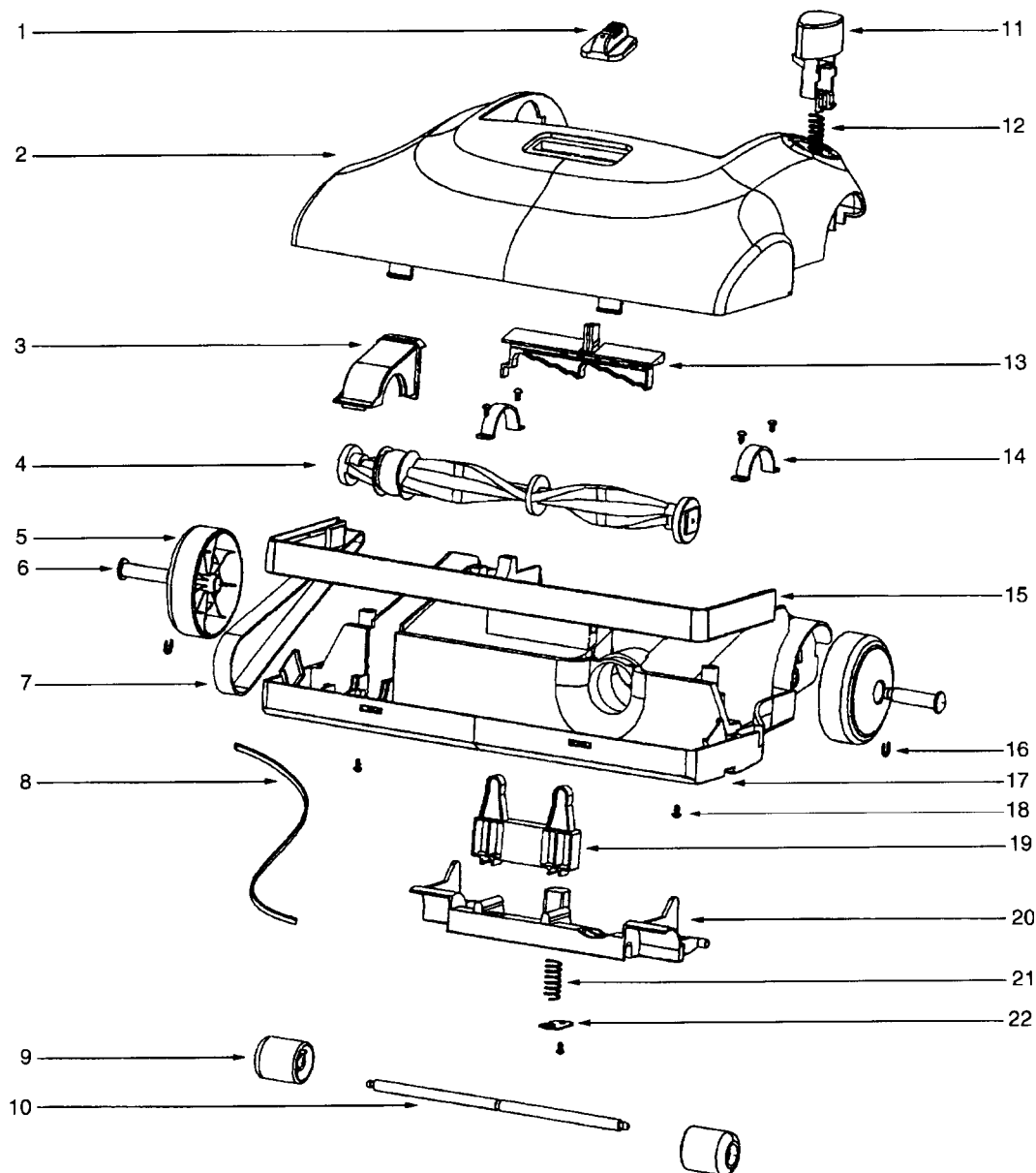
# EUREKA UPRIGHTS

# 2200 Series

Models: 2271A

- 1..... E-616311.....Height adjustment knob
- 2..... E-616122 .....Hood
- 3..... E-61613 .....Belt cap
- 4..... E-61540 .....Brush roll assembly
- 5..... E-61616 .....Rear wheel
- 6..... E-61615 .....Rear wheel shaft
- 7..... E-61520 .....Belt, style J, 2 pack
- 8..... E-61622 .....Gasket
- 9..... E-61623 .....Front wheel
- 10..... E-61624 .....Front wheel shaft
- 11..... E-616301 .....Handle release pedal

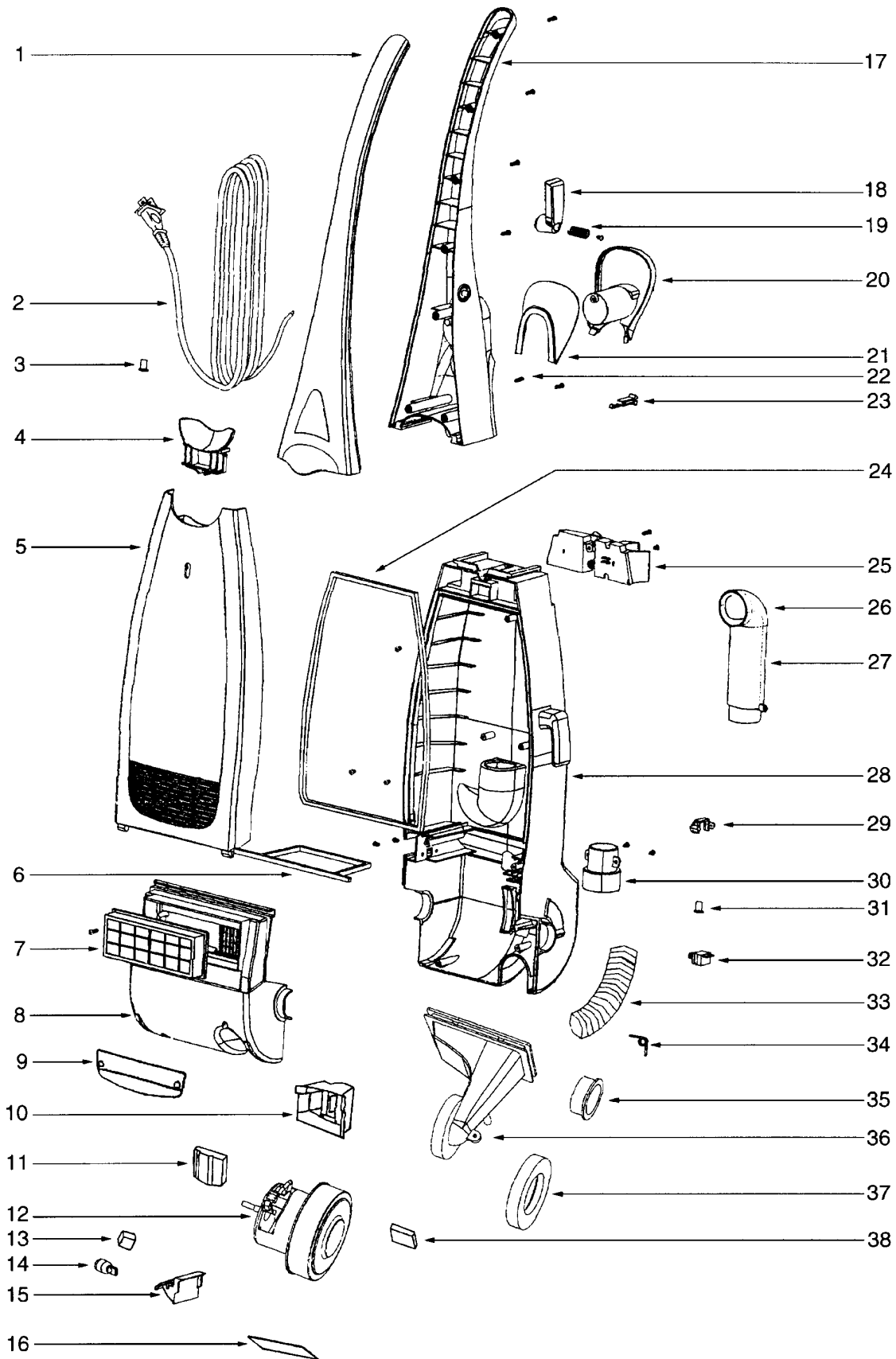
- 12..... E-61629 .....Spring
- 13..... E-61628 .....Switch support
- 14..... E-61614 .....Clamp
- 15..... E-61617 .....Furniture guard
- 16..... E-61619 .....Clip ring
- 17..... E-61620 .....Base
- 18..... E-61803 .....Screw, 5 pack
- 19..... E-61621 .....Adjust frame
- 20..... E-61627 .....Wheel carriage
- 21..... E-61626 .....Spring
- 22..... E-61625 .....Spring plate



# EUREKA UPRIGHTS

# 2200 Series

Models: 2271A

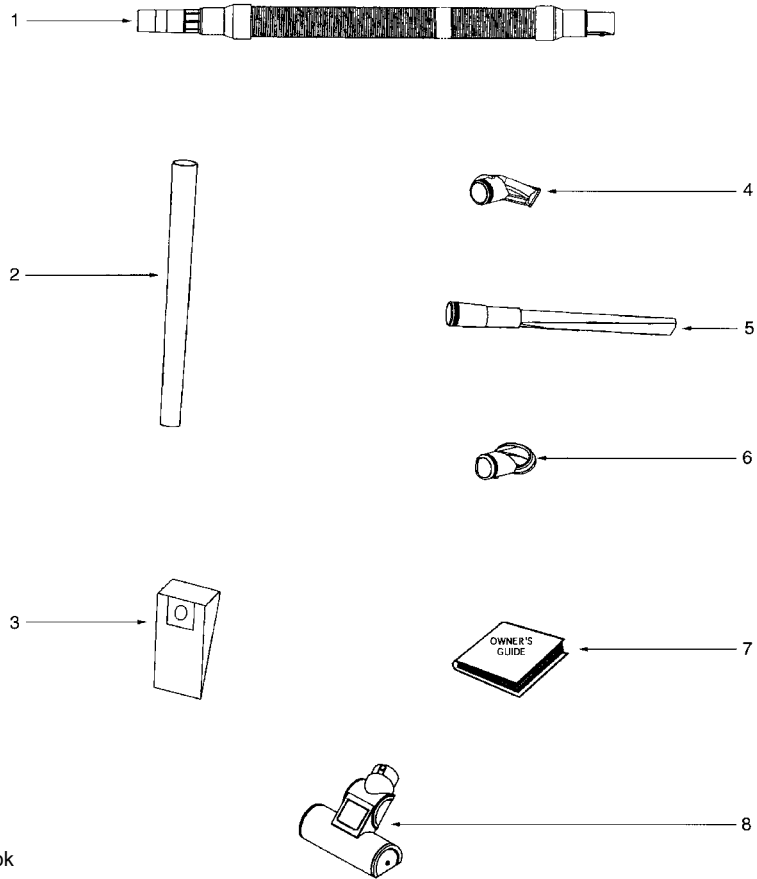


# EUREKA UPRIGHTS

# 2200 Series

Models: 2271A

- |                                       |   |
|---------------------------------------|---|
| 1..... E-61632 .....Handle cover      | 20..... E-61657 .....Dusting brush support        |
| 2..... E-61637 .....Power cord        | 21..... E-61656 .....Hose frame                   |
| 3..... E-61664 .....Power cord jacket | 22..... E-61799 .....Screw, 5 pack                |
| 4..... E-616381 .....Bag cover latch  | 23..... E-61655 .....Clip                         |
| 5..... E-616392 .....Bag cover        | 24..... E-61654 .....Bag cover gasket             |
| 6..... E-61646 .....Air inlet gasket  | 25..... E-61652 .....Tool caddy                   |
| 7..... E-61850B-4 .....HEPA filter    | 26..... E-61653 .....Air tube                     |
| 8..... E-616422 .....Motor cover      | 27..... E-61648 .....Air tube connector           |
| 9..... E-61857 .....Lens              | 28..... E-61650 .....Rear housing                 |
| 10..... E-61858 .....Reflecting plate | 29..... E-61644 .....Switch cover                 |
| 11..... N/A .....Block                | 30..... E-61651 .....Hose cuff                    |
| 12..... E-61632 .....Motor assembly   | 31..... E-61647 .....Power cord jacket            |
| 13..... E-61849 .....Light socket     | 32..... E-61645 .....Switch                       |
| 14..... E-61823 .....Headlight        | 33..... E-61649 .....Compression hose             |
| 15..... E-616411 .....Switch pedal    | 34..... E-61643 .....Torsion spring               |
| 16..... E-61530 .....Filter           | 35..... E-61633 .....Grommet                      |
| 17..... E-61660 .....Handle           | 36..... E-61634 .....Air duct with filter support |
| 18..... E-61659 .....Cord hook        | 37..... E-61635 .....Air duct gasket              |
| 19..... E-61658 .....Spring           | 38..... E-61663 .....Thermostat                   |



- |   |
|---|
| 1..... E-61535 .....Hose assembly                 |
| 2..... E-61531 .....Extension wand                |
| 3..... E-61515 .....Disposable bag, style J, 3 pk |
| 4..... E-61537 .....Upholstery nozzle             |
| 5..... E-61532 .....Crevice nozzle                |
| 6..... E-61536 .....Dusting brush                 |
| 8..... E-61775 .....Mini turbo                    |