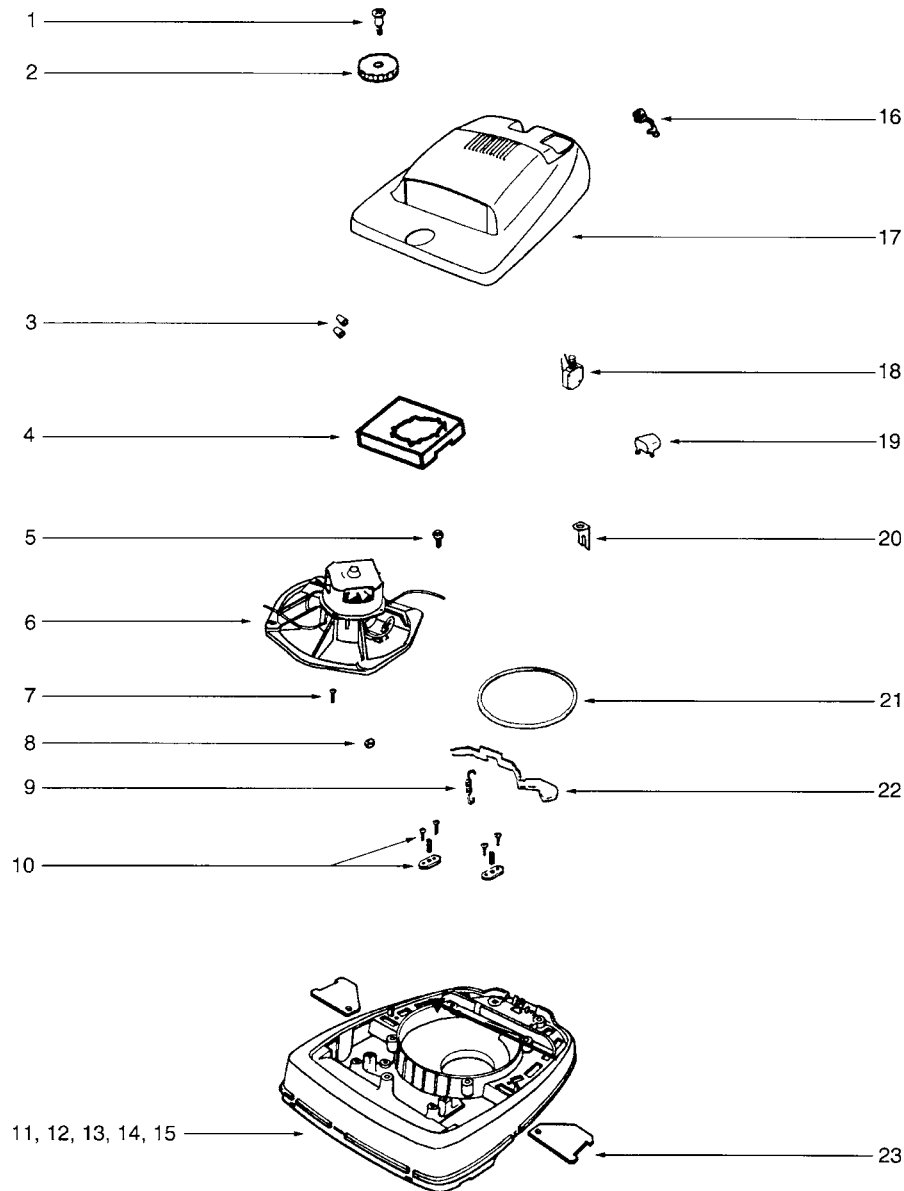


EUREKA UPRIGHTS

1900 Series

UPPER CASTING ASSEMBLY

Models: 1934AGS



2

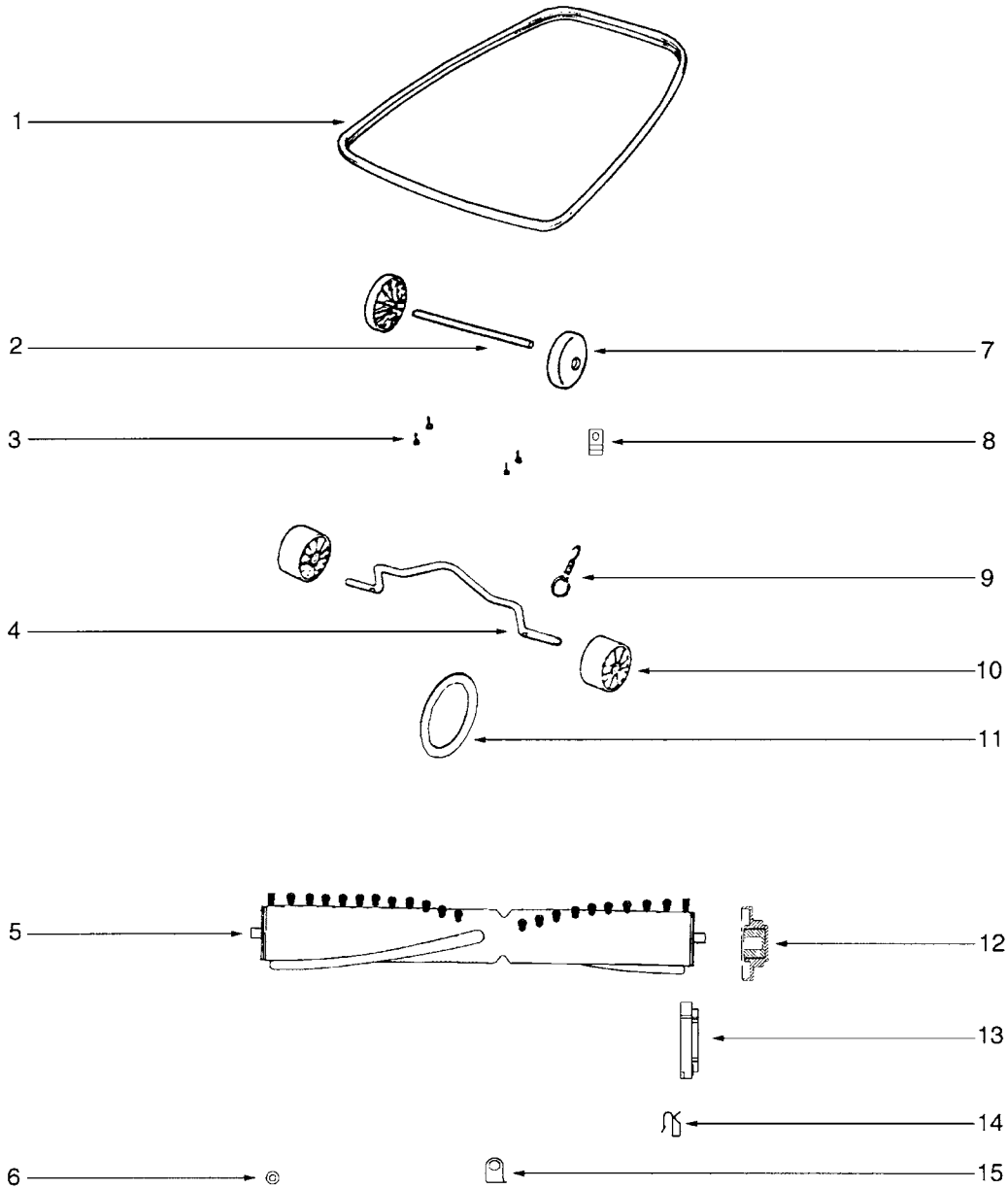
- | | |
|--|---|
| 1..... E-53143.....Screw, 10 pk | 13..... E-24965A1Cam, L.H. |
| 2..... E-380532.....Knob | 14..... E-53118.....Cam rivet, 10 pk |
| 3..... E-610921.....Wire splice, 5 pk | 15..... E-53133.....Washer, 10 pk |
| 4..... E-37676ASVAir separator | 16..... E-530891.....Strain relief bushing, 10 pk |
| 5..... E-5323814.....Motor mounting screw, 10 pk | 17..... NLAHood assembly |
| 6..... E-533497.....Motor assembly | 18..... E-137385.....Switch |
| 7..... E-546692.....Screw, 10 pk | 19..... E-146601.....Switch button |
| 8..... E-532135.....Nut, 10 pk | 20..... E-37989.....Switch clip |
| 9..... E-53097.....Foot pedal spring, 10 pk | 21..... E-30517.....Motor seal gasket |
| 10..... E-53140.....Clamp and screw assembly, 6 pk | 22..... E-24834A3Foot pedal |
| 11..... E-540043.....Base assembly | 23..... E-36263.....Wheel cover |
| 12..... E-24964A1Cam, R.H. | |

EUREKA UPRIGHTS

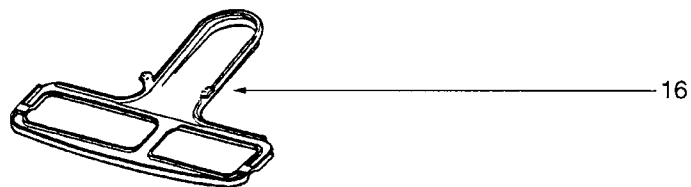
1900 Series

LOWER CASTING ASSEMBLY

Models: 1934AGS



- 1..... E-369994..... Furniture guard
- 2..... E-47562..... Rear axle
- 3..... E-5323811..... screw, 10 pk
- 4..... E-35947A..... Front axle
- 5..... E-541041..... Disturbulator assembly
- 6..... E-54560..... Washer, 10 pk
- 7..... E-358582..... Rear wheel
- 8..... E-53111..... Clip, 5 pk
- 9..... E-530762..... Axle spring, 6 pk
- 10..... E-35859A1..... Front wheel
- 11..... E-52100..... Belt, 2 pk
- 12..... E-38138..... Disturbulator cap and bearing
- 13..... E-26059A..... Cap cover
- 14..... E-55015..... clip
- 15..... E-375901..... Bushing bracket
- 16..... E-259221..... Bottom plate assembly

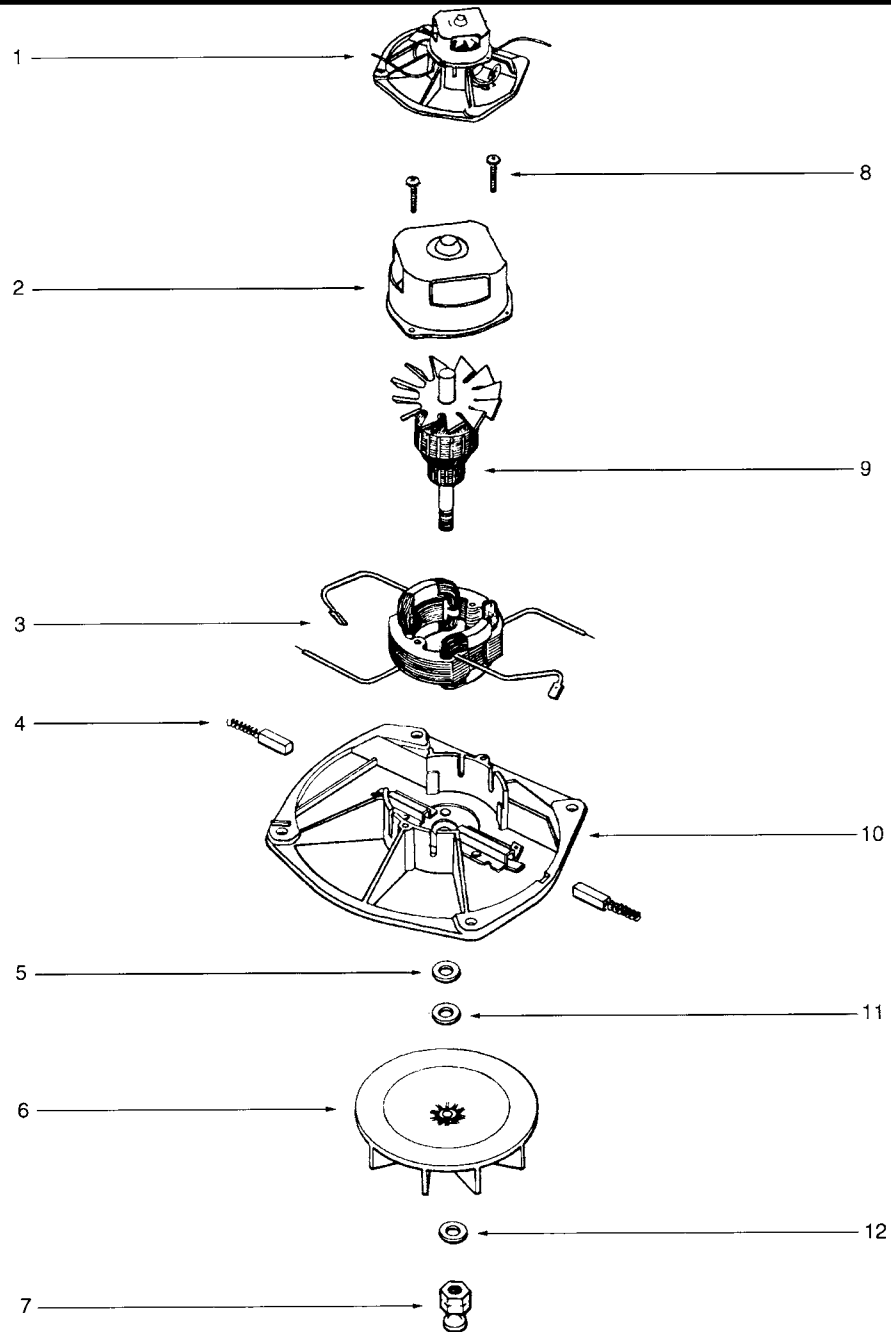


EUREKA UPRIGHTS

1900 Series

MOTOR ASSEMBLY

Models: 1934AGS



- 1..... E-533497..... Motor assembly complete
- 2..... E-54172..... Housing assembly
- 3..... E-539012..... Field assembly
- 4..... E-25172A1..... Motor brush assembly
- 5..... E-531881..... Washer, 10 pk
- 6..... E-129881..... Fan
- 7..... E-495071..... Pulley
- 8..... E-531311..... Screw, 10 pk
- 9..... E-534703..... Armature fan and bearing assembly
- 10..... E-541711..... Motor base assembly
- 11..... E-53148..... Fan washer, 10 pk
- 12..... E-54811..... Fan washer, 10 pk

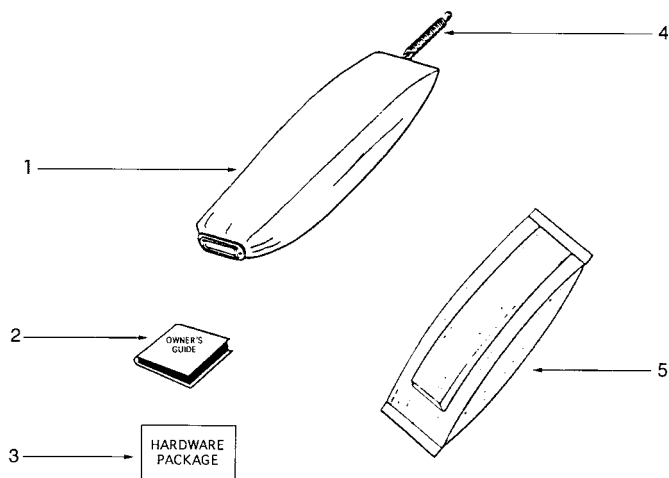
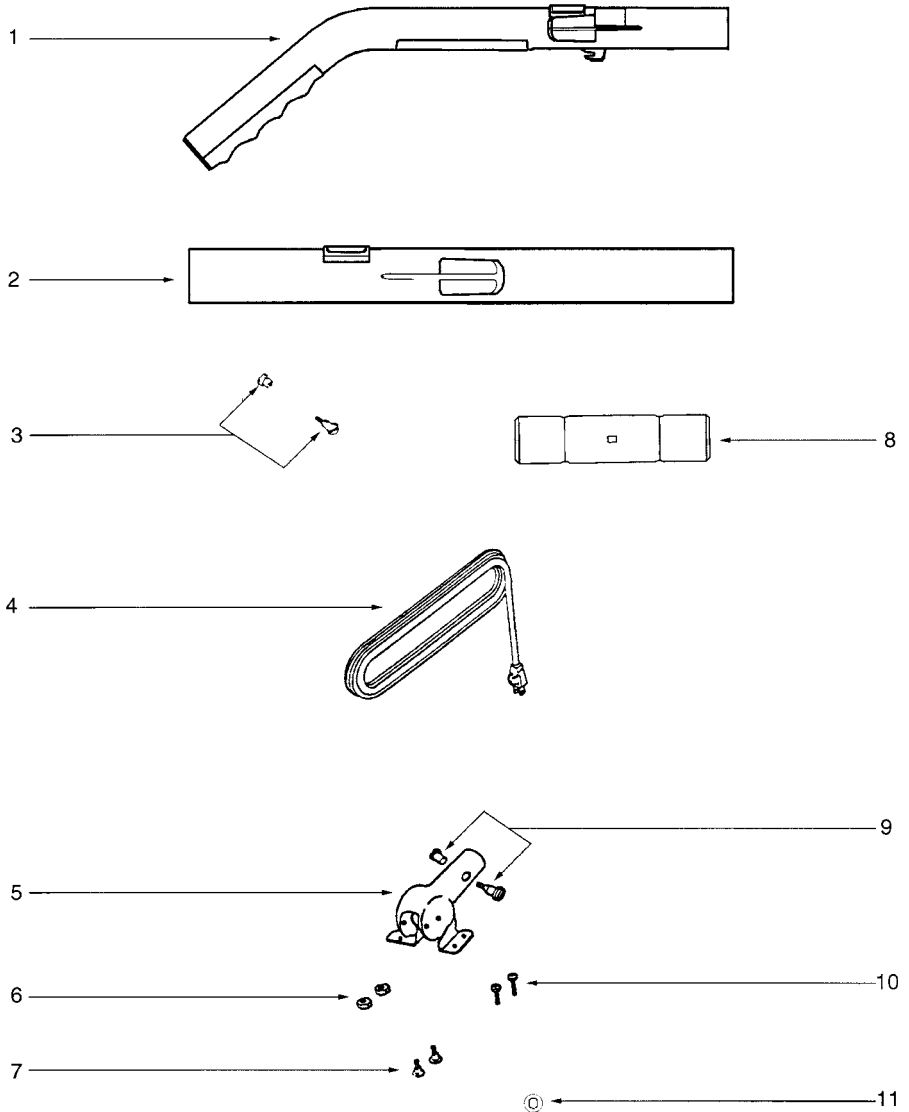
EUREKA UPRIGHTS

1900 Series

HANDLE/BAG ASSEMBLY

Models: 1934AGS

- 1.....E-25989A5.....Upper handle assembly
- 2.....E-542672.....Lower handle assembly
- 3.....E-531981.....Handle sciew, 6 pk
- 4.....E-273821.....supply cord
- 5.....E-540921.....Handle socket assembly
- 6.....E-532135.....Nut, 10 pk
- 7.....E-53145.....Bolt, 10 pk
- 8.....E-259883.....Handle tube connector
- 9.....E-531981.....screw and nut assembly, 6 pk
- 10.....E-5323813.....Screw, 10 pk
- 11.....E-530804.....Snap pin, 5 pk



- 1.....E-5397717.....Bag assembly
- 3.....E-57062B.....Hardware package
- 4.....E-47722.....Bag spring
- 5.....E-52320.....Disposable bags, style F & G