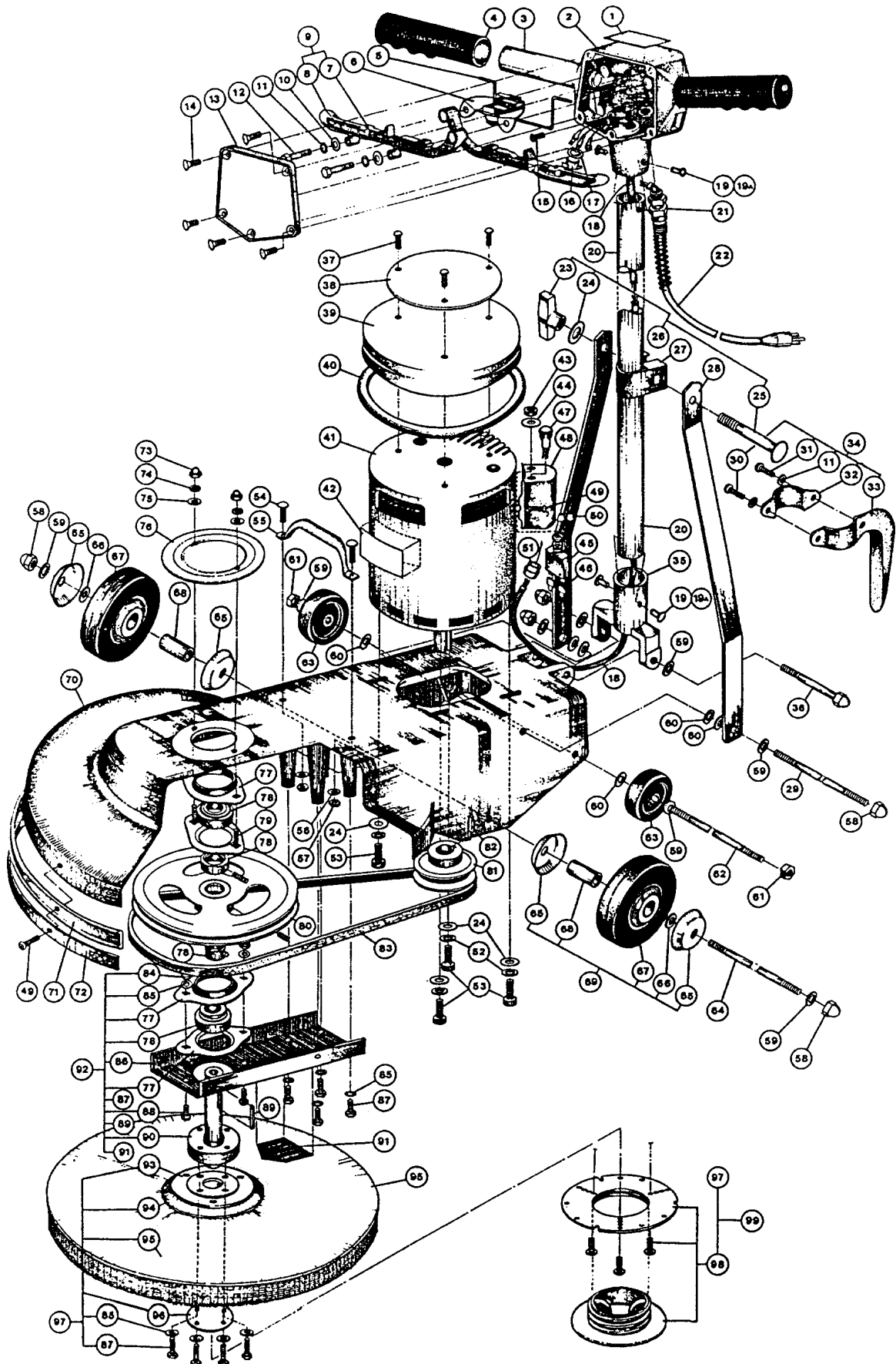


ELKY PRO

Burnisher

Model: HL-1500

Models before February 1996



HESCO: THE ONE STOP SHOP FOR ALL YOUR VACUUM REPAIR PARTS! 1-800-822-7467

1	HL-NP147A	Decal, warning	52	HL-210010	Springwasher, motor mount
2	HL-28863A	Switch Box	53	HL-206019	Screw
3	HL-24865A	Handle, switch box	54	HL-20258	Screw
4	HL-13804C	Handle Grip	55	HL-150713	Handle, base casting
5	HL-16884	Spring Cable Guard	56	HL-20752	Washer, base-handle mount
6	HL-16880	Switch Assembly	57	HL-21603	Hex Nut
7	HL-24870	Switch Lever	58	HL-215012	Cap Nut
8	HL-24871A	Bushing	59	HL-21008	Spring Washer
9	HL-24870A	Switch Lever, w/ bushing (includes #7,8)	60	HL-208510	Nylon Washer
10	HL-208018	Plain Washer	61	HL-21554	Locknut, w/ nylon insert
11	HL-21054	Lockwasher	62	HL-14008A	Shaft, rear wheel
12	HL-201023	Screw	63	HL-25611	Wheel, 3" diameter
13	HL-24866B	Cover, switch box	64	HL-14007A	Shaft, 5" wheel
14	HL-213511	Screw	65	HL-176112	String Guard
15	HL-21358	Screw	66	HL-20856	Nylon Washer, 5" wheel
16	HL-28875	Strain Relief, handle cord	67	HL-176113	Wheel, 5" diameter
17	HL-208040	Plain Washer, handle cord	68	HL-176111	Bushing
18	HL-13831D	Handle Cord	69	HL-17611	Wheel Assembly, 5" diameter, #'s 65-68
19	HL-22655	Drive Rivet	70	HL-14604	Base Casing
20	HL-14803A	Handle Tube	71	HL-14607	Bumper, base
21	HL-13814A	Strain Relief, power cord	72	HL-140	Bumper Strap
22	HL-16833B	Power Cord	73	HL-21507	Cap Nut, bearing cover
23	HL-16836	Knob	74	HL-21055	Lockwasher, bearing cover
24	HL-20802	Plain Washer	75	HL-20801	Plain Washer, bearing cover
25	HL-214014	Carriage Bolt	76	HL-14016B	Cover Plate, HI20 only
26	HL-16836A	Knob-Washer-Bolt Assy, #23-25	76	HL-14116C	Cover Plate, HI20A only, HL-1500
27	HL-16837A	Clamp, handle tube	76	HL-14116E	Cover Plate, HI20B only
28	HL-14838A	Bracket, handle tube	76	HL-14116D	Cover Plate, HI22 only
29	HL-14015A	Shaft, handle bracket	77	HL-140101	Flange
30	HL-202523	Screw	78	HL-14009	Bearing, w/ locking collar
31	HL-202526	Screw	79	HL-140102	Flange, w/ bolt
32	HL-138322	Clamp, power cord	80	HL-14013	Drive Pulley
33	HL-138321	Hook, power cord	81	HL-14006	Motor Pulley, HI20 only
34	HL-13832	Cord Hook Assy, includes #11,30,31,32,33	81	HL-14113	Motor Pulley, HI20A only, HL-1500
35	HL-13835A	Yoke	81	HL-14113S	Motor Pulley, HI20B only
36	HL-12048A	Stud	81	HL-14113C	Motor Pulley, HI22 only
37	HL-200040	Screw	82	HL-20504	Key Stock, motor pulley
38	HL-13720B	Model Designation Plate, 3 hole	83	HL-14024	Belt, HI20/HI20A only (HL-1500)
38	HL-13720C	Model Designation Plate, 4 hole	83	HL-14024S	Belt, HI20B only
39	HL-19106D	Drip Cover, 115 volt	83	HL-14024C	Belt, HI22 only
39	HL-22106A	Drip Cover, 230 volt	84	HL-216014	Hex Nut
40	HL-191061	Bumper, drip cover, 115 volt	85	HL-21009	Spring Washer
40	HL-201061	Bumper, drip cover, 230 volt	86	HL-14011	Bearing Channel
41	HL-14906	Motor Assy, 1.5 HP, 115 volt	87	HL-205523	Cap Screw
41	HL-14906A	Motor Assy, 230 volt	88	HL-20362	Screw
	HL-14931	Carbon Brush, 115 volt	89	HL-205022	Key Stock, output shaft
	HL-14932	Bridge Rectifier, 115 volt	90	HL-14150	Output Shaft, w/ collar
	HL-14933	Cover Assembly, complete, w/ elec., 115 volt	91	HL-NP141	Decal, warning
42	HL-NP149A	Nameplate	92	HL-14004	Output Shaft Sub Assembly
43	HL-379412	Circuit Breaker & Knurled Nut, 115 volt	93	HL-14153	Hub Driver
44	HL-379411	Reset Plate, 115 volt	94	HL-14694	Hub Riser
45	HL-37941B	Circuit Breaker, 115 volt		HL-200515	Screw
46	HL-225022	Terminals, 115 volt	95	HL-200693	Floppy Disk
47	HL-14906L	Red Light, brush wear indicator, 115 volt		HL-14530A	Balance Pad Holder
48	HL-24150A	Case, capacitor cover, 115 volt	96	HL-14017	Metal Plate, washer
49	HL-213522	Screw	97	HL-14153A	Floppy Disk Assembly, w/ #85,87,94-96
50	HL-22522	Wire Nuts	98	HL-14111E	Center Lock Assembly
51	HL-223511	Strain Relief, handle cord	99	HL-14153A	Floppy Disk & Pad Holder Assy, w/#93,97,98

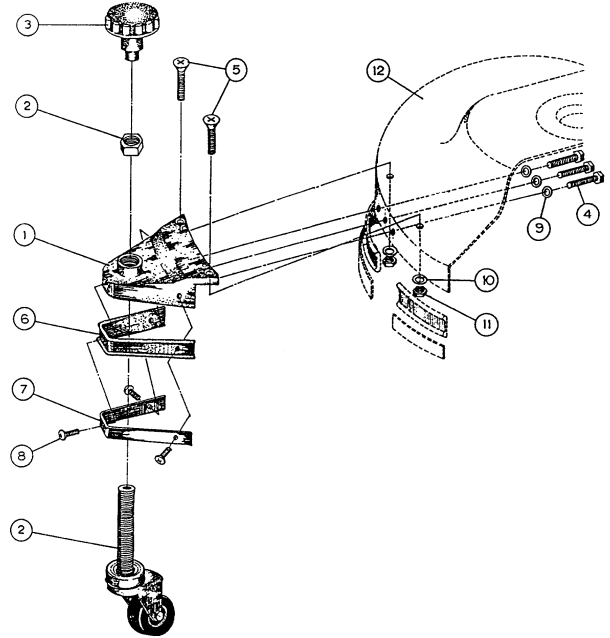
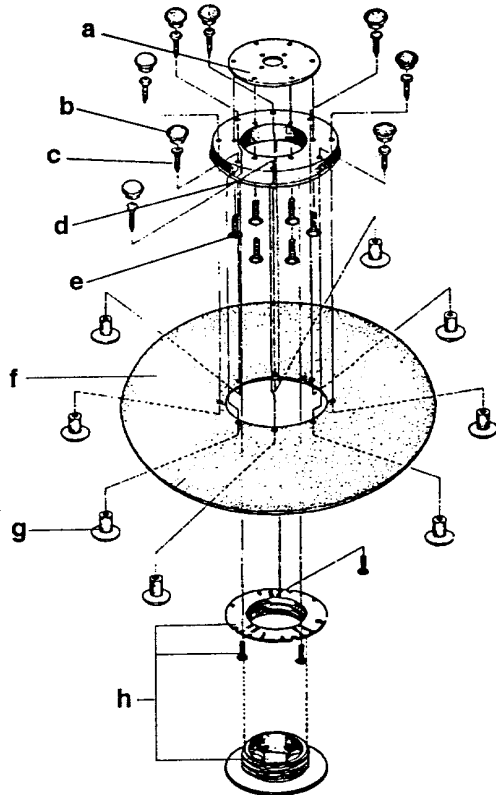
1-800-822-7467

Model: HL-1500

Models before February 1996

- A HL-14153 Hub Driver
- B N/A Nylon Cap Cover
- C HL-201028 Screws
- D HL-14694 Hub Riser
- E HL-200515 Screw
- F HL-200693 Floppy Disk Only
- G N/A Nylon Insert
- H HL-14111E Center Lock Assy
HL-14153A Floppy Disk and Pad Holder Assy, w/ #B-H

- 1 HL-14152 Caster Bracket
- 2 HL-14152A Caster and Locknut
- 3 HL-14152B Knob
- 4 HL-20108 Screw
- 5 HL-200518 Screw
- 6 HL-14607 Bumper
- 7 HL-141522 Bumper Strap
- 8 HL-213522 Screw
- 9 HL-21003 Springwasher
- 10 HL-21003 Springwasher
- 11 HL-216012 Nut



- 1 HL-200131A Filter Housing Assembly
- 2 HL-200131B Air Cleaner, filter
- 3 HL-200131 Air Filter Assembly, w/ #'s 1,2
- 4 HL-201534 Screw, air filter mount
HL-201534 Screw, block plate mount
- 5 HL-202518 Screw, holder mount
HL-202518 Screw, splash guard guide
- 6 HL-14610 Holder, air filter
- 7 HL-14611 Dust Intake
- 8 HL-20759 Washer, bumper guide
HL-20759 Washer, splash guard mount
- 9 HL-14613 Spring, splash guard control
- 10 HL-158011 Washer, guide
- 11 HL-201524 Screw, splash guard mount
- 12 HL-14608 Splash Guard, bumper
- 13 HL-146081 Block Plate, splash guard
- 14 HL-21602 Nut, block plate mount
- 15 HL-14609 Felt Strip

