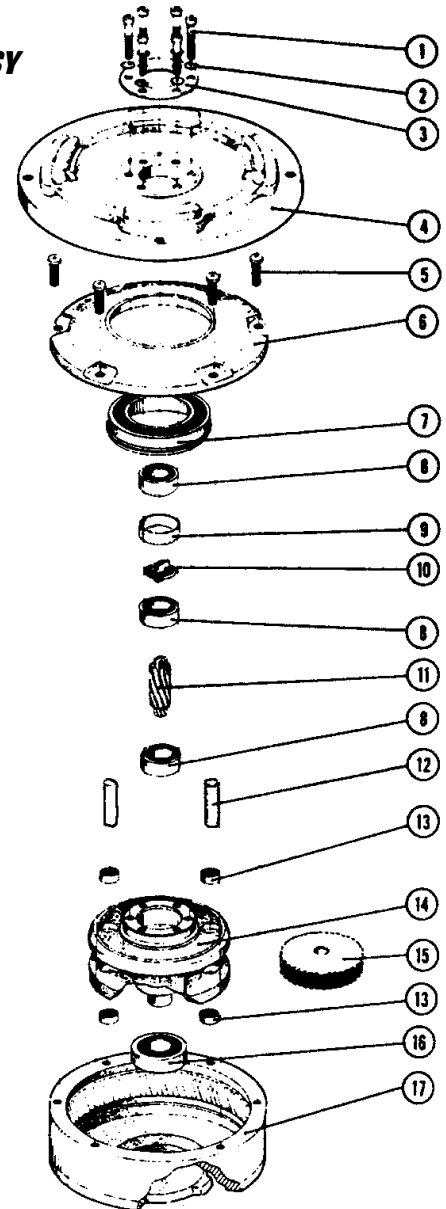


Model: HL-17, HL-20

Models before February 1996

REPLACEMENT PARTS FOR GEAR ASSY

- 1 HL-13804C Handle Grip, black
- 2 HL-3386A Switch Box, HL-17
- 2 HL-28863A Switch Box, HL-20
- 3 HL-NP147 Decal, warning
- 4 HL-213511 Screw
- 5 HL-24866A Cover, switch box
- 6 HL-201023 Screw
- 7 HL-21054 Lockwasher
- 8 HL-208018 Washer
- 9 HL-24870A Lever, switch
- 10 HL-16880 Switch Assembly
- 11 HL-16884 Cable Guards
- 11 HL-16885 Cable Guards
- 12 HL-24871A Bushing, lever
- 13 HL-28875 Strain Relief, handle cord
- 14 HL-21358 Ground Screw
- 15 HL-208040 Washer
- 16 HL-22655 Rivet
- 17 HL-32833N Power Cord, HL-17
- 17 HL-16833G Power Cord, HL-20
- 18 HL-20832 Cord Hook, Clamp & Screws, HL-17
- 18 HL-13832 Cord Hook, Clamp & Screws, HL-20
- 20 HL-202523 Screw
- 21 HL-202526 Screw
- 22 HL-16836 Knob
- 23 HL-208040 Washer
- 24 HL-24802A Handle Tube, HL-17
- 24 HL-13803B Handle Tube, HL-20
- 25 HL-24837 Clamp, handle tube, HL-17
- 25 HL-16837 Clamp, handle tube, HL-20
- 26 HL-19838A Handle Brace, HL-17
- 26 HL-3483822A Handle Brace, HL-20
- 27 HL-214012 Carriage Bolt
- 28 HL-12835A Yoke, handle
- 29 HL-13831B Handle Cord
- 30 HL-136091 Kick Nut, retainer
- 31 HL-21002 Lockwasher
- 32 HL-19611 Wheel, 4 1/2", w/ string guards & bushing, HL-17
- 32 HL-17611 Wheel, 5", w/ string guards & bushing, HL-20
- 33 HL-211013 Washer
- 34 HL-3460917 Shaft, wheel, HL-17
- 34 HL-3460920A Shaft, wheel, HL-20
- 35 HL-215012 Acorn Cap Nut
- 36 HL-3400422A1 Bracket, tailpiece
- 37 HL-21402 Carriage Bolt
- 38 HL-205520 Screw
- 39 HL-34004172 Tailpiece, HL-17
- 39 HL-34004202 Tailpiece, HL-20
- 40 HL-34834 Shaft, handle yoke
- 41 HL-20801 Washer
- 42 HL-21905 Elastic Locknuts
- 43 HL-2666A Plug, push-on
- 44 HL-213528 Screw, drip cover
- 45 HL-201061 Bumper, drip cover
- 46 HL-22106A Drip Cover
- 47 HL-34877A Motor & Gear Assy, HL-17
- 47 HL-34807G Motor & Gear Assy, HL-20
- 48 HL-3460417 Brush Cover, HL-17
- 48 HL-3460420 Brush Cover, HL-20
- 49 HL-3460717 Bumper, HL-17
- 49 HL-3460720 Bumper, HL-20
- 50 HL-21009 Lockwasher
- 51 HL-34848A17 Complete Handle Assy, HL-17
- 51 HL-34848A20 Complete Handle Assy, HL-20



- 1 HL-206032 Screw, hex cap
- 2 HL-21053 Lockwasher
- 3 HL-34517 Plate Retainer
- 4 HL-34006 End Shield
- 5 HL-202542 Screw
- 6 HL-34516 Housing Cover
- 7 HL-34515 Bearing, housing cover
- 8 HL-34514 Bearing, cage
- 9 HL-34513 Spacer
- 10 HL-34512 Coupling
- 11 HL-34511 Pinion Gear
- 12 HL-34510 Shaft, idler gear
- 13 HL-34521 Bearing, idler gear
- 14 HL-34520 Cage, 2 planet gear
- 15 HL-34519 Idler Gear
- 16 HL-34509 Bearing, drive housing
- 17 HL-37904 Drive Housing