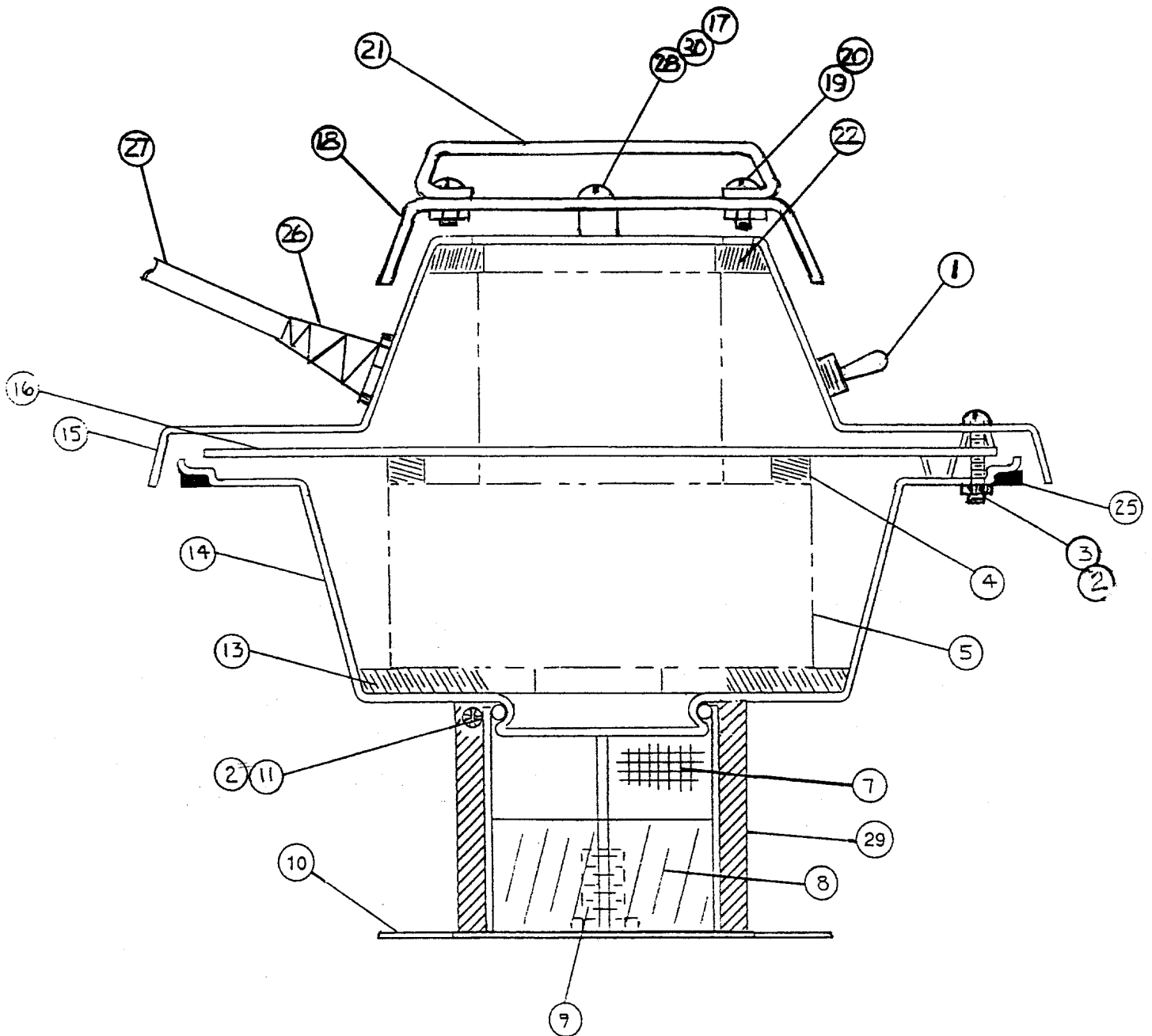
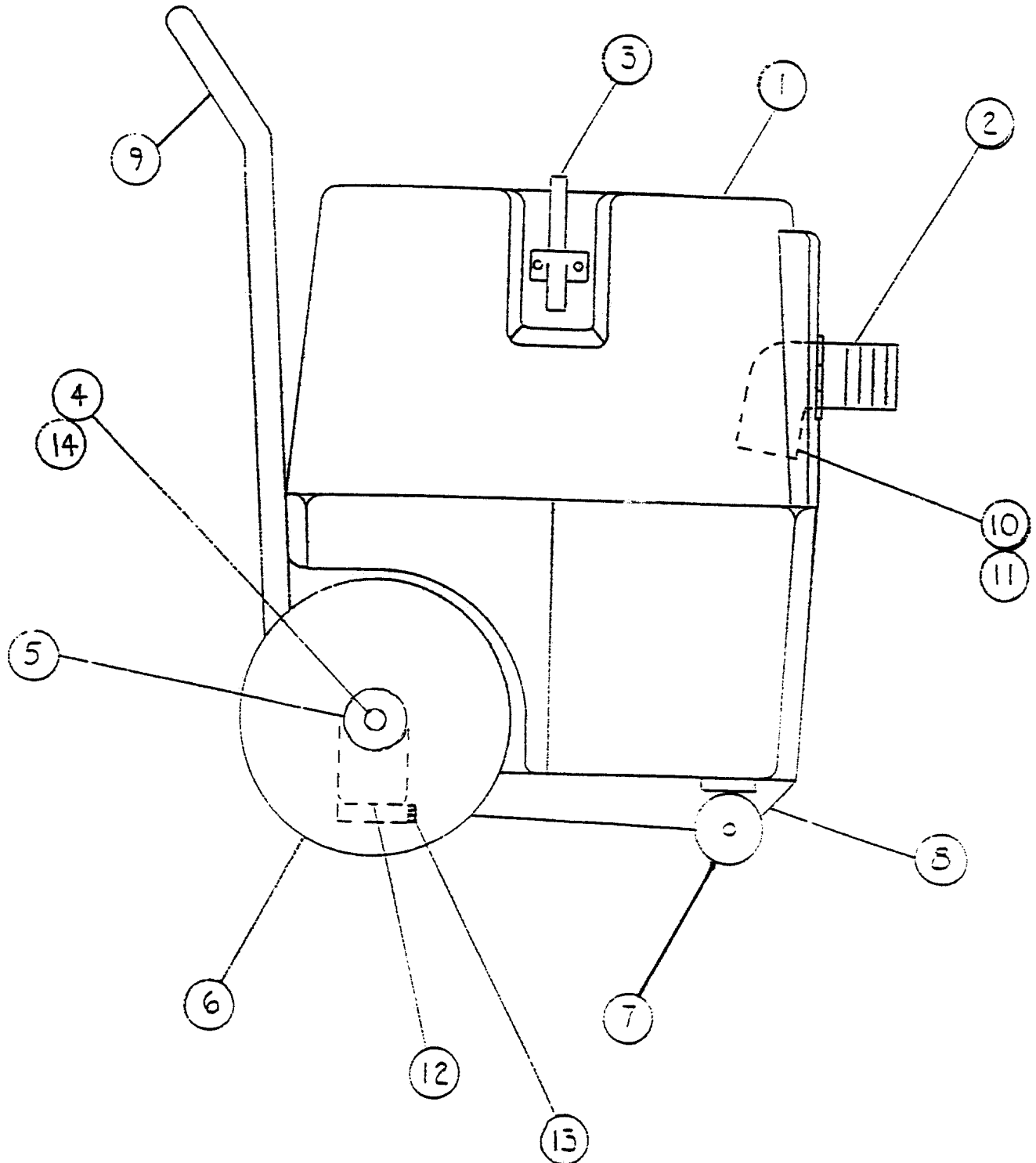


Model: CM-850 / CM-1050



- |    |            |                  |    |         |                                |
|----|------------|------------------|----|---------|--------------------------------|
| 1  | CM-2107    | Toggle Switch    | 17 | CM-1006 | Speed Nut                      |
| 2  | CM-1009    | Lock Nut         | 18 | CM-2120 | Top Spinning                   |
| 3  | CM-1010    | Screw            | 19 | CM-1004 | Screw, 1/4"                    |
| 4  | CM-2042    | Gasket           | 20 | CM-1005 | Nut, 1/4"                      |
| 5  | L-11633601 | Motor, CM-850    | 21 | CM-2121 | Top Handle                     |
| 5  | L-11647100 | Motor, CM-1050   | 22 | CM-2043 | Top Gasket                     |
| 7  | CM-2019    | Plastic Screen   | 24 | CM-1029 | Wire Connector                 |
| 8  | CM-2014    | Float            | 25 | CM-2039 | Gasket                         |
| 9  | CM-1011    | Bolt, float      | 26 | CM-2028 | Strain Relief & Nut            |
| 10 | CM-2016    | Float Cage       | 27 | CM-2144 | Power Cord, 25 ft              |
| 11 | CM-1007    | Screw            | 28 | CM-1022 | Tapping Screw, 1", CM-850      |
| 13 | CM-2057    | Gasket           | 28 | CM-1016 | Tapping Screw, 1 1/4", CM-1050 |
| 14 | CM-2025    | Bottom Spinning  | 29 | CM-4081 | Foam Filter                    |
| 15 | CM-2323    | Outside Spinning | 30 | CM-1034 | Spacer, 3/8"                   |
| 16 | CM-2024    | Motor Spinning   |    | CM-4013 | Paper Bags, 3 pack             |

Model: CM-850 / CM-1050



- 1 ..... CM-2010 ..... Tank, 10 gallon, CM-850
- 1 ..... CM-2015 ..... Tank, 15 gallon, CM-1050
- 2 ..... CM-2007 ..... Intake
- 3 ..... CM-2006 ..... Latch
- 4 ..... CM-2003 ..... Axle, for 10 gallon tank, CM-850
- 5 ..... CM-2004 ..... Hub Cap
- 6 ..... CM-2201 ..... Wheel, 8"
- 7 ..... CM-2002 ..... Caster
- 8 ..... CM-2020 ..... Drain Plug

- 9 ..... CM-4016 ..... Handle
- 10 ..... CM-2008 ..... Deflector Elbow
- 11 ..... CM-2009 ..... Intake Gasket
- 12 ..... CM-2049 ..... Handle Bracket
- 13 ..... CM-1027 ..... Screw
- 14 ..... CM-2056 ..... Axle, for 15 gallon tank, CM-1050
- 16 ..... CM-4040 ..... Filter Bag
- CM-2018 ..... Bag Ring
- CM-4013 ..... Paper Bag, 6 pack