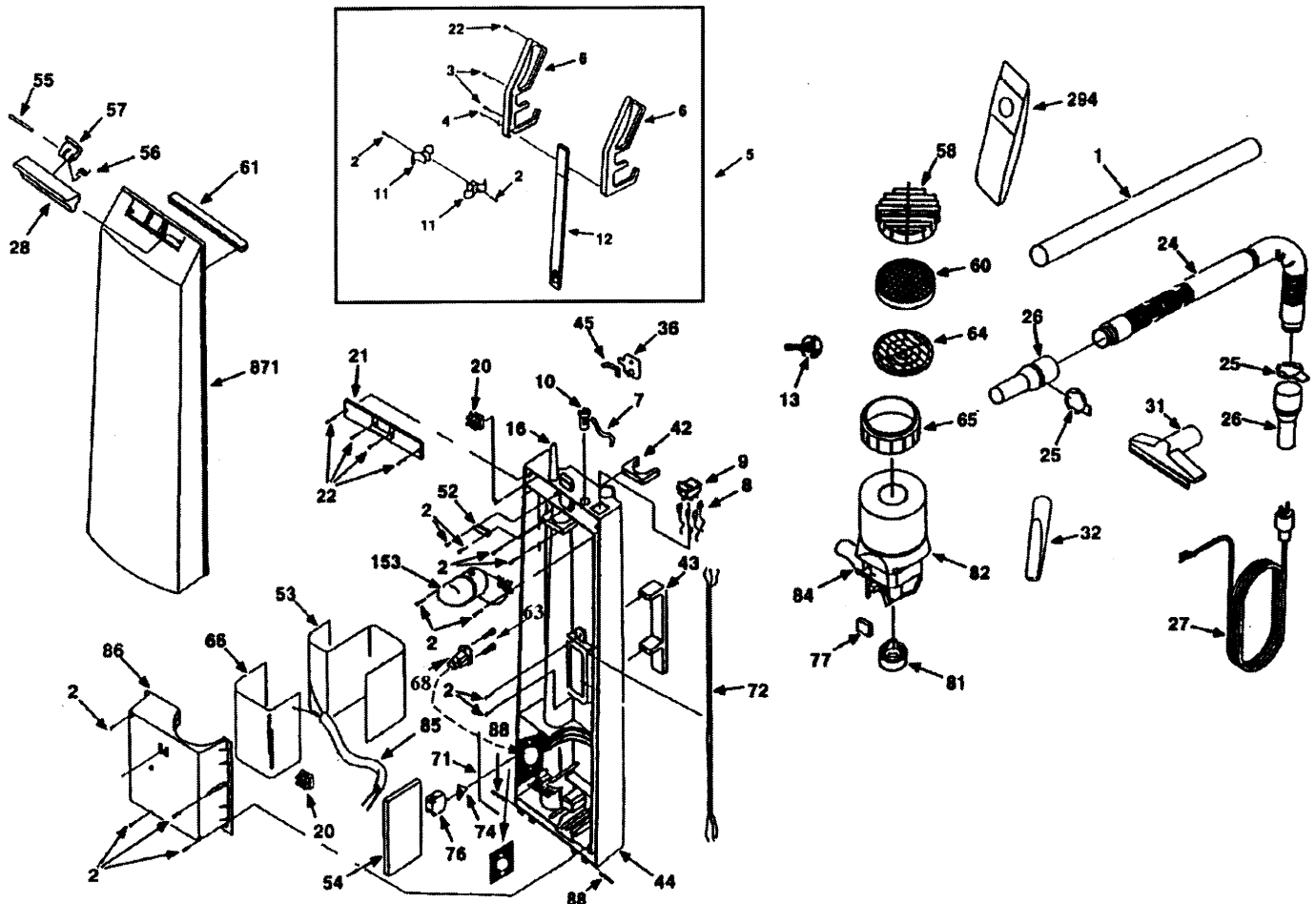


Model: COM-90110

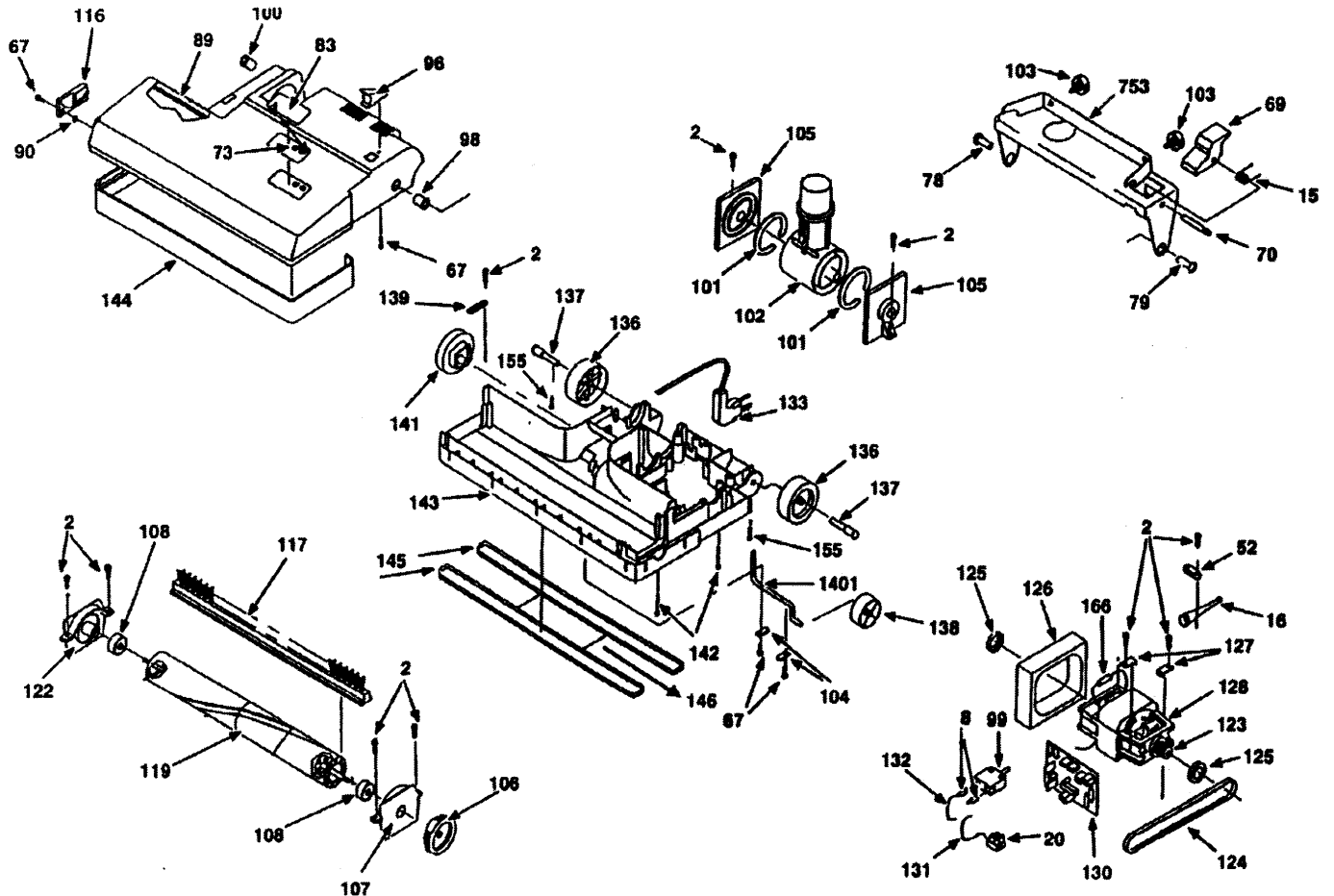
## BODY ASSEMBLY



- |  |  |  |
|--|--|--|
| 1.....COM-0200010.....Wand                 | 28.....COM-0600280.....Latch, cover        | 68.....COM-0400680.....Receptacle, 3 pole  |
| 2.....COM-0000023.....Screw, 4 x 16        | 31.....COM-0200310.....Tool, upholstery    | 71.....COM-0400710.....Gasket              |
| 3.....COM-0000021.....Screw, 3.5 x 18      | 32.....COM-0200320.....Tool, crevice       | 72.....COM-0400721.....Cable, 220-240V     |
| 4.....COM-0000022.....Screw, 3.5 x 25      | 36.....COM-0400360.....Cover               | 72.....COM-04007210.....Cable, 110V        |
| 5.....COM-0100010.....Handle assembly      | 42.....COM-0400420.....Lock, wand          | 72.....COM-04008211.....Cable, 110V, CSA   |
| 6.....COM-0100060.....Handle, left + right | 43.....COM-0400430.....Handle              | 74.....COM-0400740.....Switch, actuator    |
| 7.....COM-0400070.....Sleeve               | 44.....COM-040044.....Vac housing, rear    | 76.....COM-0400760.....Micro switch, open  |
| 9.....COM-0400090.....Switch, on/off       | 45.....COM-0400450.....Clip, anti slip     | 77.....COM-0500770.....RFI suppressor      |
| 10.....COM-0400109.....Light, full bag     | 52.....COM-0000520.....Clamp               | 81.....COM-0500810.....Gasket, motor lower |
| 11.....COM-0100110.....Holder, tool        | 53.....COM-0400530.....Foam, vac motor     | 82.....COM-0500822.....Motor, vac 230V     |
| 12.....COM-0100120.....Handle              | 54.....COM-0400540.....Filter              | 82.....COM-0500830.....Motor, vac 110V     |
| 13.....COM-0401030.....Screw, 5 x 40       | 55.....COM-0600550.....Latch, shaft        | 84.....COM-0500840.....Thermal cut out     |
| 16.....COM-0000160.....Strain relief       | 56.....COM-02500150.....Spring             | 85.....COM-0000850.....Cable               |
| 20.....COM-0400200.....Terminal block      | 57.....COM-0600570.....Lock, cover         | 86.....COM-0400860.....Housing, vac motor  |
| 21.....COM-0400210.....Cover, electrical   | 58.....COM-0400580.....Holder, filter      | 88.....COM-0400880.....Shaft, front cover  |
| 22.....COM-0000020.....Screw, 3.5 x 16     | 60.....COM-0400600.....Disc, filter        | 153.....COM-0401550.....Fitting, bag mount |
| 24.....COM-0215410.....Hose assembly       | 61.....COM-0600610.....Gasket              | 294.....CV-500.....Bag, paper              |
| 25.....COM-0200251.....Clip                | 63.....COM-0000242.....Screw, 3 x 8        | 871.....COM-060871.....Door, vac housing   |
| 26.....COM-0200270.....Coupling, hose      | 64.....COM-0400640.....Grill, filter       |  |
| 27.....COM-0300280.....Cord set, Europe    | 65.....COM-0500650.....Gasket, motor upper |  |
| 27.....COM-0300300.....Cord set, UK plug   | 66.....COM-0400660.....Foam, vac motor     |  |
| 27.....COM-0300310.....Cord set, CH plug   | 68.....COM-0400690.....Receptacle, 2 pole  |  |

Model: COM-90110

## NOZZLE ASSEMBLY



- |                           |                      |                           |                                    |                           |                        |
|---------------------------|----------------------|---------------------------|------------------------------------|---------------------------|------------------------|
| 2..... COM-000023 .....   | Screw, 4 x 16        | 106.... COM-1701060 ..... | Pulley, brush                      | 137.... COM-1401370 ..... | Shaft, wheel           |
| 16..... COM-0000160 ..... | Strain relief        | 107.... COM-1701070 ..... | Support, Roller RH                 | 138.... COM-1401380 ..... | Caster, front          |
| 20..... COM-2000245 ..... | Block, terminal      | 108.... COM-1701080 ..... | Bearing, brush                     | 139.... COM-1401390 ..... | Spring                 |
| 52..... COM-0000520 ..... | Clamp                | 116.... COM-1201160.....  | Cover, brush access                | 141.... COM-1401410 ..... | Knob                   |
| 67..... COM-0000027 ..... | Screw, 4 x 10        | 117.... COM-1701170.....  | Brush strip                        | 142.... COM-0000025 ..... | Screw, 5 x 40          |
| 69..... COM-1100690.....  | Release, handle      | 119.... CV-9372.....      | Roller assembly                    | 143.... COM-140143 .....  | Housing, brush low     |
| 70..... COM-1100700.....  | Pin                  | 122.... COM-1701220.....  | Support, roller LH                 | 144.... COM-120144 .....  | Bumper                 |
| 73..... COM-1200730 ..... | Decal, LED English   | 123.... COM-1601230 ..... | Pulley, motor                      | 145.... NLA.....          | Included in COM-120090 |
| 73..... COM-1200731 ..... | Decal, LED German    | 124.... COM-1601240 ..... | Belt                               | 150.... COM-1101050.....  | Spring                 |
| 78..... COM-1100780.....  | Screw, RH            | 125.... COM-1601250 ..... | Ring, rubber                       | 155.... COM-0000026 ..... | Screw, 3 x 16          |
| 79..... COM-1100790.....  | Screw, LH            | 126.... COM-1601260 ..... | Foam, brush motor                  | 166.... COM-1601660 ..... | Thermal overload       |
| 83..... COM-1200830 ..... | Cover, LED           | 127.... COM-1401040 ..... | Clamp, brush motor                 | 753.... COM-1107530.....  | Bracket, swivel        |
| 89..... COM-120089 .....  | Housing, brush upp.  | 128.... COM-1601280 ..... | Motor, brush 110V                  | 1401.. COM-1414010 .....  | Front castor shaft     |
| 90..... COM-0000900 ..... | Washer, lock         | 128.... COM-1601281 ..... | Motor, brush, 220-240V             | 146.... COM-1401460 ..... | Brush protector wire   |
| 96..... COM-1200960 ..... | Latch                | 130.... COM-1601303 ..... | Control, brush electric, 220-240V  |                           |                        |
| 98..... COM-1200980 ..... | Ring, plastic LH     | 130.... COM-1601304 ..... | Control, brush electric, 110V      |                           |                        |
| 99..... COM-1600990 ..... | Micro switch, closed | 130.... COM-1601305 ..... | Control, brush electric, 110V, CSA |                           |                        |
| 100.... COM-1200990 ..... | Ring, plastic, RH    | 133.... COM-1601337 ..... | Plug, with cord 3 pole             |                           |                        |
| 101.... COM-1301010 ..... | Gasket               | 133.... COM-1601339 ..... | Plug, with cord 2 pole             |                           |                        |
| 102.... COM-1301020 ..... | Swivel, intake       | 136.... COM-1401360 ..... | Wheel, rear                        |                           |                        |
| 103.... COM-1101030.....  | screw                |                           |                                    |                           |                        |
| 104.... COM-1401040 ..... | Clips                |                           |                                    |                           |                        |
| 105.... COM-1301050 ..... | Plate, guide         |                           |                                    |                           |                        |

### NOT ILLUSTRATED

COM-120090..... Housing, upper and lower