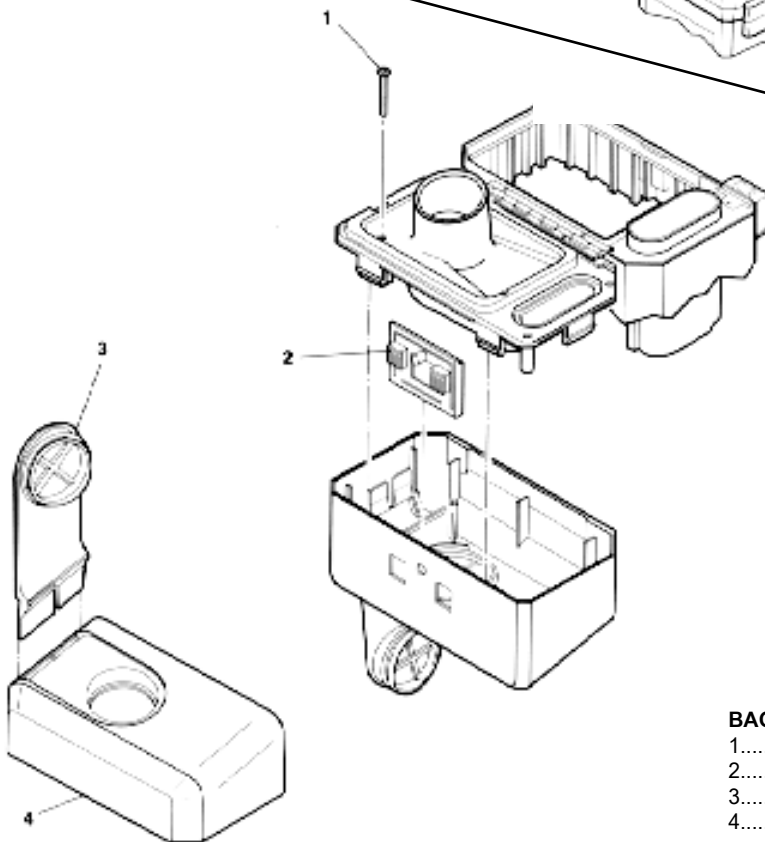
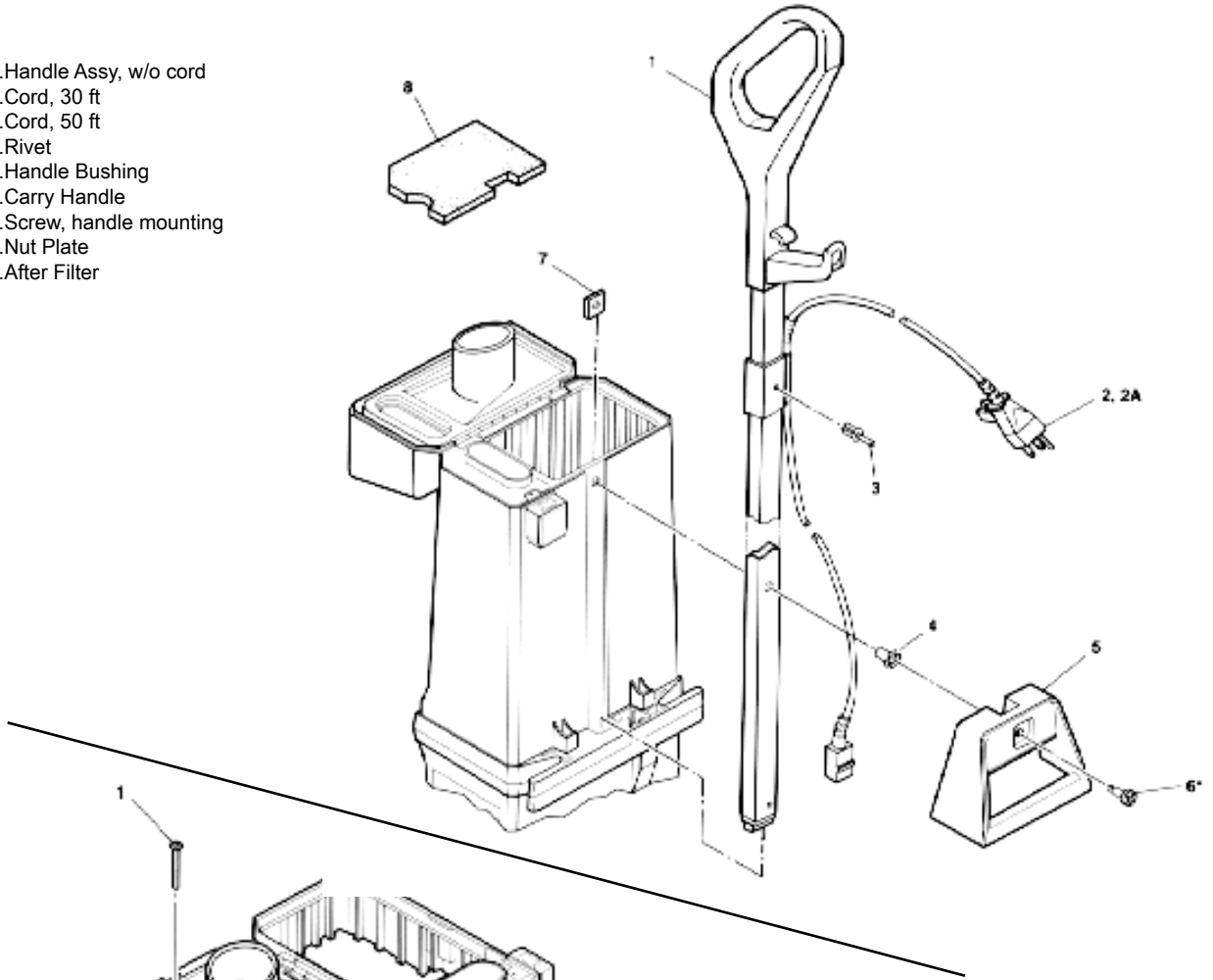


Model: Xtreme

## HANDLE ASSEMBLY

- 1.....EL-47375.....Handle Assy, w/o cord
- 2.....EL-47161.....Cord, 30 ft
- 2A.....EL-46953.....Cord, 50 ft
- 3.....EL-45383.....Rivet
- 4.....EL-46998.....Handle Bushing
- 5.....EL-46195.....Carry Handle
- 6.....EL-43786.....Screw, handle mounting
- 7.....EL-43218.....Nut Plate
- 8.....EL-43762.....After Filter



## BAG COVER ASSEMBLY

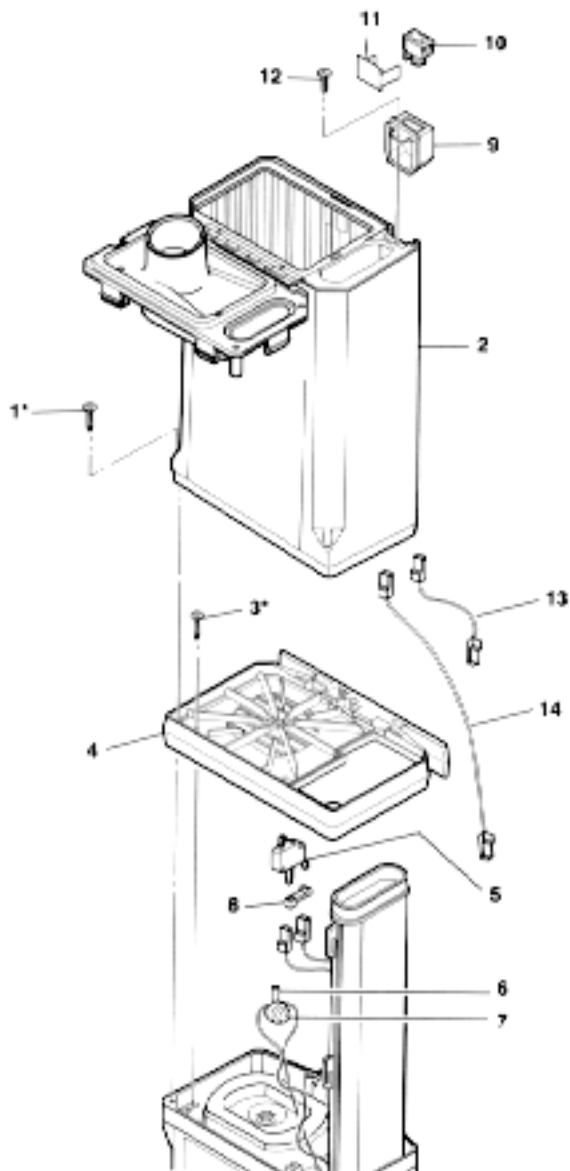
- 1.....EL-13259.....Screw
- 2.....EL-43631.....Bag Cover Latch
- 3.....EL-43642.....Access Port Plug
- 4.....EL-46945.....Bag Cover

\*Electrolux is a registered trademark of the Electrolux Corporation. These listings are replacement items made to fit Electrolux vacuums. They are not a product of the Electrolux Corporation.

Model: Xtreme

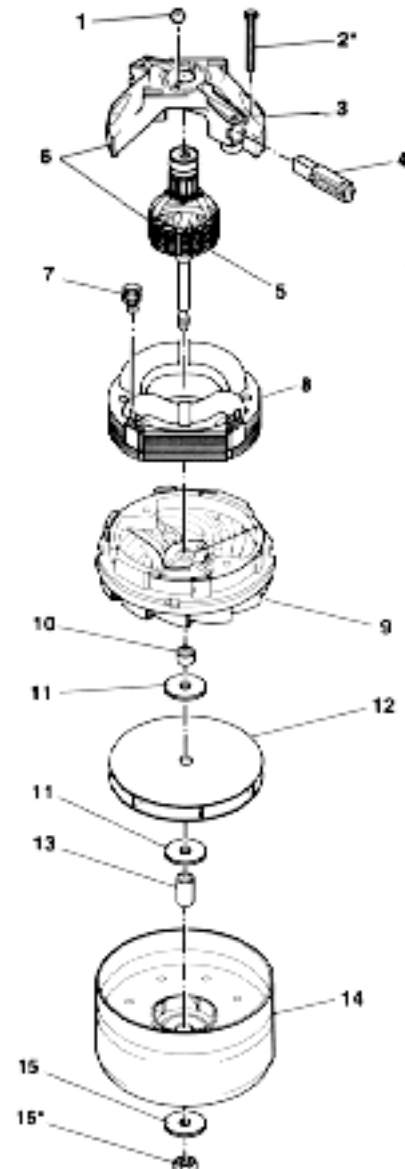
## BAG HOUSING ASSEMBLY

- 1.....EL-47117.....Screw
- 2.....EL-47373.....Bag Housing Assy, w/ bag nozzle
- 3.....EL-13336.....Screw, bulkhead
- 4.....EL-47372.....Bulkhead
- 5.....EL-46943.....Bag Lockout Switch
- 6.....EL-46938.....Tubing, pressure switch
- 7.....EL-4939.....Pressure Switch
- 8.....EL-47028.....Switch Insulator
- 9.....EL-47374.....Switch Case
- 10.....EL-47162.....On/Off Switch
- 11.....EL-47378.....Switch Insulator
- 12.....EL-43991.....Screw
- 13.....EL-47383.....Lead Assembly, black
- 14.....EL-47382.....Lead Assembly, red



## MOTOR ASSEMBLY

- 1.....EL-45634.....Bearing Lock
- 2.....EL-45288.....Screw
- 3.....EL-47003.....Front Bracket, w/ carbon brushes
- 4.....EL-46956.....Carbon Brush
- 5.....Armature Assembly (order #6)
- 6.....EL-46955.....Armature/Bracket Kit
- 7.....EL-43489.....Brush Contact Spring
- 8.....EL-43254.....Stator Assembly
- 9.....EL-45270.....Motor Bracket
- 10.....EL-45268.....Fan Spacer, short
- 11.....EL-45267.....Washer
- 12.....EL-43252.....Fan
- 13.....EL-45269.....Fan Spacer, long
- 14.....EL-45266.....Fan Housing Assembly
- 15.....EL-13295.....Washer
- 16.....EL-13341.....Nut
- 17.....EL-46940.....Motor Assembly

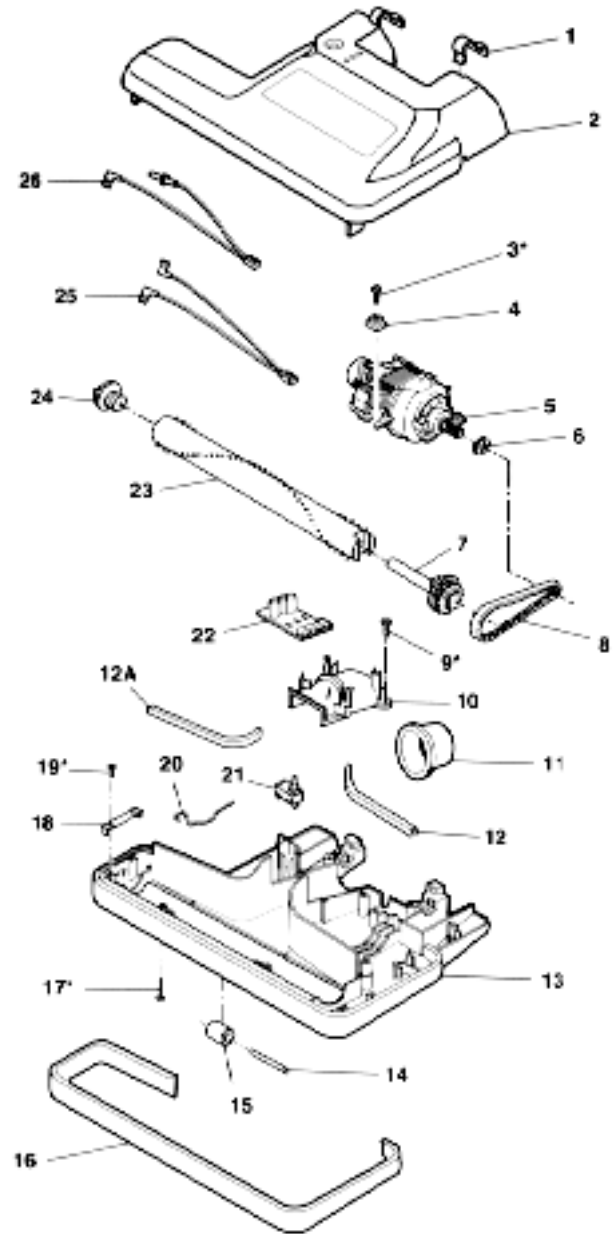


\*Electrolux is a registered trademark of the Electrolux Corporation. These listings are replacement items made to fit Electrolux vacuums. They are not a product of the Electrolux Corporation.

Model: Xtreme

## POWER NOZZLE ASSEMBLY

- 1.....EL-43238.....Detent Spring
- 2.....EL-47197.....Base Cover
- 3.....EL-13287.....Screw
- 4.....EL-45191.....Isolator Grommet
- 5.....EL-620581.....Motor Unit Assy
- 6.....EL-42820.....Belt Retainer
- 7.....EL-45121.....Pulley Assy
- 8.....EL-43409.....Motor Belt
- 9.....EL-13287.....Screw
- 10.....EL-46944.....Nozzle Cover
- 11.....EL-45143.....Hose Sleeve
- 12.....EL-46933.....Base Cover Seal, left
- 12A.....EL-46934.....Base Cover Seal, right
- 13.....EL-47198.....Base
- 14.....EL-45125.....Front Roller Shaft
- 15.....EL-104501.....Front Roller
- 16.....EL-46932.....Bumper
- 17.....EL-47118.....Screw
- 18.....EL-46935.....Retainer
- 19.....EL-13268.....Screw
- 20.....EL-46930.....Wire Form
- 21.....EL-45853.....Circuit Breaker
- 22.....EL-46931.....Performance Indicator (SPI Board)
- 23.....EL-45450.....Brush Assembly
- 24.....EL-45124.....Brush Bearing
- 25.....EL-46928.....Lead Assembly
- 26.....EL-46929.....Lead Assembly, w/ mate-n-lok

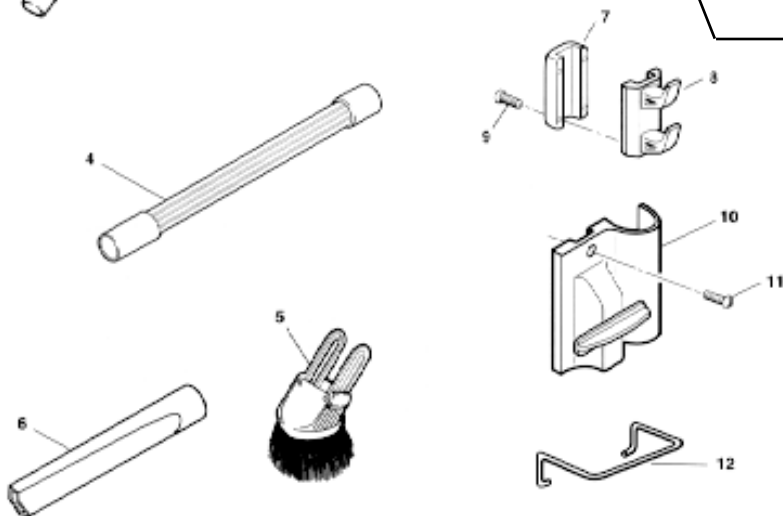
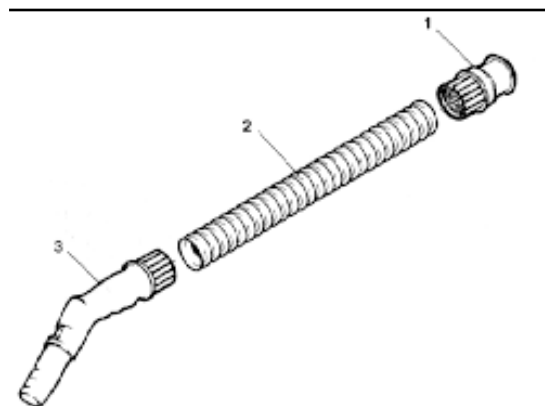
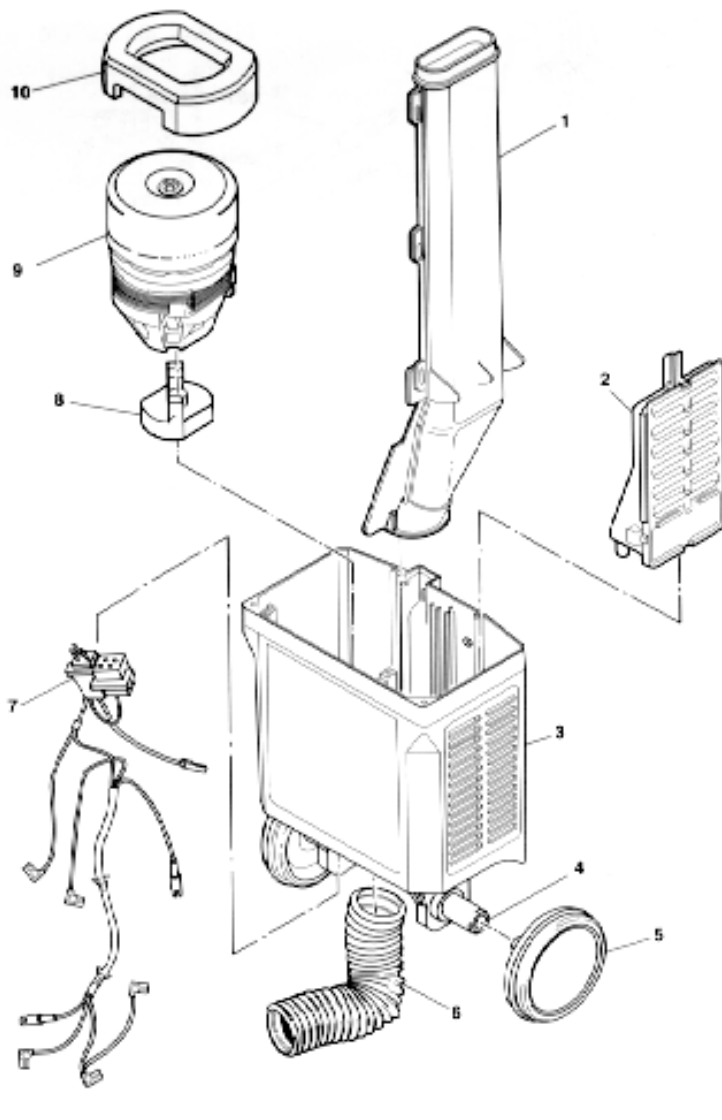


\*Electrolux is a registered trademark of the Electrolux Corporation. These listings are replacement items made to fit Electrolux vacuums. They are not a product of the Electrolux Corporation.

Model: Xtreme

## MOTOR BODY HOUSING ASSEMBLY

- 1.....EL-46942.....Duct Assembly
- 2.....EL-45259.....Exhaust Deflector
- 3.....EL-46936.....Motor Body Housing
- 4.....EL-13349.....Grease
- 5.....EL-43586.....Rear Wheel
- 6.....EL-46941.....Duct Hose
- 7.....EL-47371.....Wire Harness
- 8.....EL-43233.....Lower Motor Mount
- 9.....EL-46940.....Motor Unit Assembly
- 10.....EL-43232.....Upper Motor Mount



## OPTIONAL ACCESSORIES

- 1.....EL-43789.....Coupling
- 2.....EL-45088.....Extending Hose, slinky
- 3.....EL-45089.....Handle
- 4.....EL-46197.....Plastic Wand
- 5.....EL-46331.....Combination Dusting Brush
- 6.....EL-43779.....Narrow Space Cleaner
- 7.....EL-43783.....Upper Caddy, front
- 8.....EL-43782.....Upper Caddy, back
- 9.....EL-43785.....Screw
- 10.....EL-47377.....Lower Caddy
- 11.....EL-43786.....Screw
- 12.....EL-43784.....Hose Handle Retainer

\*Electrolux is a registered trademark of the Electrolux Corporation. These listings are replacement items made to fit Electrolux vacuums. They are not a product of the Electrolux Corporation.