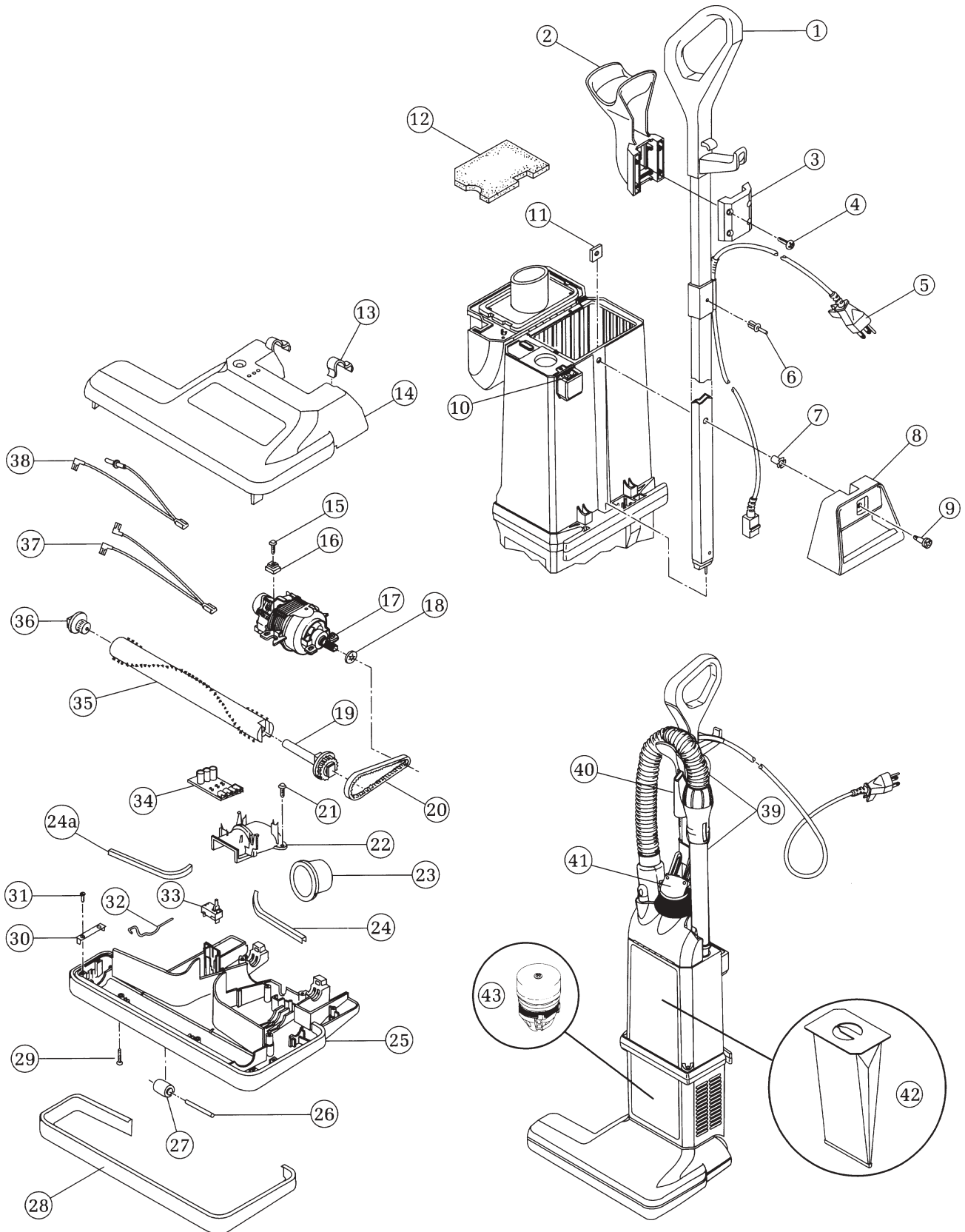


Model: 1400XP



Model: 1400XP

- 1 EL-47887 Handle assembly
- 2 EL-48217 Hose/tool holder - front
- 3 EL-48218 Hose/tool holder - front
- 4 EL-43785 Screw for hose/tool holder (4 needed)
- 5 EL-47889 Cord, 50' long w/cord retainer and 3-wire plug, red
- 6 EL-45383 Rivet
- 7 EL-46998 Handle bushing
- 8 EL-47292 Carry handle
- 9 EL-43786 Screw for handle mounting
- 10 EL-47162 Switch - on/off
- 11 EL-43218 Nut plate
- 12 EL-43762 Motor filter
- 13 EL-43238 Detent spring (2 needed)
- 14 EL-48208 Base cover, red
- 15 EL-13287 Screw for motor (2 needed)
- 16 EL-45191 Isolator grommet (2 needed)
- 17 EL-45702 Power head motor unit assembly
- 18 EL-42820 Belt retainer
- 19 EL-45121 Pulley assembly
- 20 EL-43409 Motor belt
- 21 EL-13287 Screw for nozzle cover (2 needed)
- 22 EL-46944 Nozzle cover
- 23 EL-45143 Hose sleeve
- 24 EL-46933 Base cover seal - left side
- 24a ... EL-46934 Base cover seal - right side
- 25 EL-48206 Base
- 26 EL-45125 Front roller shaft (2 needed)
- 27 EL-43941 Front roller (2 needed)
- 28 EL-46932 Bumper
- 29 EL-47118 Screw for base (6 needed)
- 30 EL-46935 Retainer for brush bearing (2 needed)
- 31 EL-13268 Screw for brush bearing (4 needed)
- 32 EL-46930 Wire form (2 needed)
- 33 EL-45853 Circuit breaker
- 34 EL-46931 Performance indicator - SPI Board
- 35 EL-45450 Brush assembly
- 36 EL-45124 Brush bearing
- 37 EL-46928 Lead assembly
- 38 EL-46929 Lead assembly w/mate-n-lok
- 39 EL-48210 Slinky hose assembly complete
- 40 EL-48157 Narrow space cleaner
- 41 EL-48139 Combination upholstery/dusting brush
- 36 EL-47737 Germgrabber 4-ply filter
- 37 EL-47829 Vacuum motor unit assembly

Not Illustrated

- EL-47857 Replacement carbon brush (2 needed)