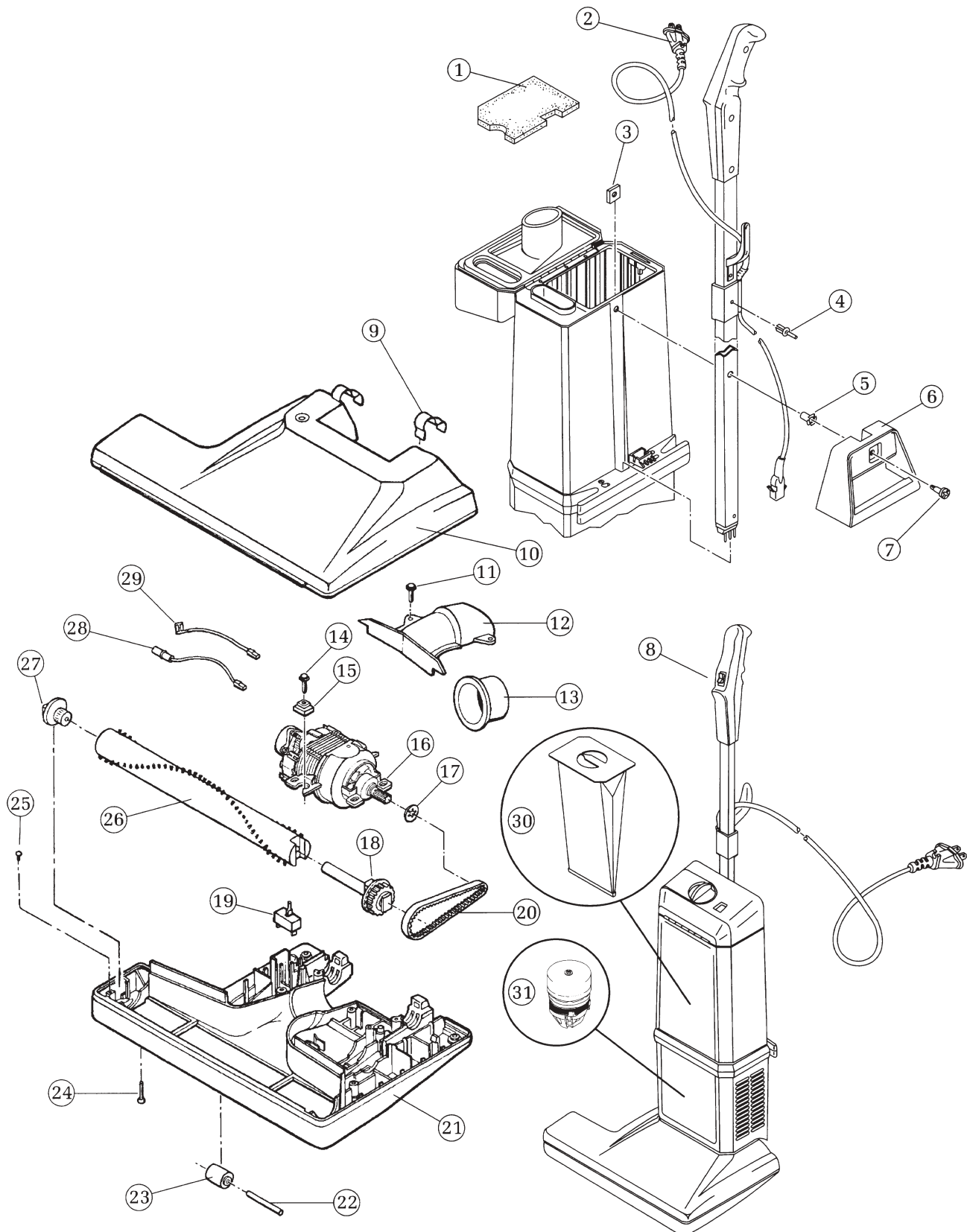


Model: 1400



Model: 1400/1400X

## PROLUX 1400

1	EL-43762	Motor filter	21	EL-48235	Base
2	EL-48241	Cord, 40' long w/cord retainer and 2-wire plug, red	22	EL-45125	Front foller shaft (2 needed)
3	EL-43218	Nut plate	23	EL-43941	Front roller (2 needed)
4	EL-45383	Rivet	24	EL-46960	Screw for base (6 needed)
5	EL-46998	Handle bushing	25	EL-13268	Screw for brush bearing (4 needed)
6	EL-47292	Carry handle, fog gray	26	EL-45450	Brush assembly
7	EL-43786	Screw for handle mounting	27	EL-45124	Brush bearing
8	EL-47610	Switch, on/off	28	EL-45855	Lead assembly w/mate-n-lok
9	EL-43238	Detent spring (2 needed)	29	EL-45608	Lead assembly
10	EL-48239	Base cover, red	30	EL-47737	Germgrabber 4-ply filter
11	EL-13287	Screw for nozzle cover (2 needed)	31	EL-46940	Vacuum motor unit assembly
12	EL-45137	Nozzle cover			
13	EL-46188	Hose sleeve			
14	EL-13287	Screw for motor (2 needed)			
15	EL-45191	Isolator grommet (2 needed)			
16	EL-45702	Power head motor unit assembly			
17	EL-42820	Belt retainer			
18	EL-45121	Pulley assembly			
19	EL-45853	Circuit breaker			
20	EL-43409	Motor belt			

### Not Illustrated

EL-46956 ..... Replacement carbon brush (2 needed)

## PROLUX 1400X

1	EL-47375	Handle assembly	27	EL-46935	Retainer for brush bearing (2 needed)
2	EL-46953	Cord, 50' long w/cord retainer and 3-wire plug, red	28	EL-13268	Screw for brush bearing (4 needed)
3	EL-45383	Rivet	29	EL-46930	Wire form (2 needed)
4	EL-46998	Handle bushing	30	EL-45853	Circuit breaker
5	EL-47292	Carry handle	31	EL-46931	Performance indicator - SPI Board
6	EL-43786	Screw for handle mounting	32	EL-45450	Brush assembly
7	EL-47162	Switch - on/off	33	EL-45124	Brush bearing
8	EL-43218	Nut plate	34	EL-46928	Lead assembly
9	EL-43762	Motor filter	35	EL-46929	Lead assembly w/mate-n-lok
10	EL-43238	Detent spring (2 needed)	36	EL-47737	Germgrabber 4-ply filter
11	EL-48203	Base cover, red	37	EL-47829	Vacuum motor unit assembly
12	EL-13287	Screw for motor (2 needed)			
13	EL-45191	Isolator grommet (2 needed)			
14	EL-45702	Power head motor unit assembly			
15	EL-42820	Belt retainer			
16	EL-45121	Pulley assembly			
17	EL-43409	Motor belt			
18	EL-13287	Screw for nozzle cover (2 needed)			
19	EL-46944	Nozzle cover			
20	EL-45143	Hose sleeve			
21	EL-46933	Base cover seal - left side			
22	EL-48200	Base			
23	EL-45125	Front roller shaft (2 needed)			
24	EL-43941	Front roller (2 needed)			
25	EL-46932	Bumper			
26	EL-47118	Screw for base (6 needed)			

### Not Illustrated

EL-46956 ..... Replacement carbon brush (2 needed)