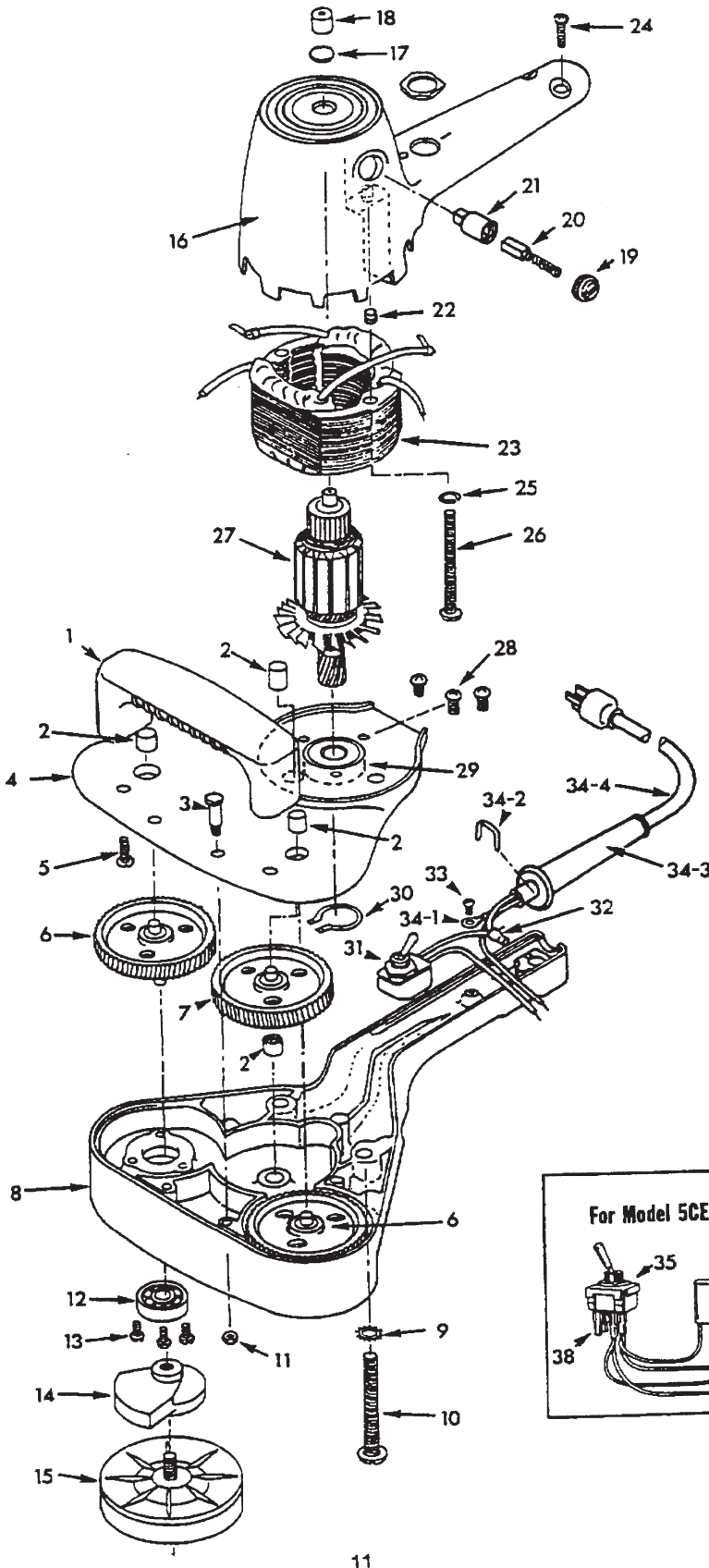


CYCLO

ORBITAL POLISHER

Model: COM-80010



- 1 COM-12560 Front handle
- 2 COM-50010 Needle bearing
- 3 COM-11080 Bolt
- 4 COM-10020 Metal cover plate
- 5 COM-20190 Screw, handle retaining
- 6 COM-60010 Nylon drive gear
- 7 COM-60020 Nylon idler gear, center gear
- 8 COM-10010 Main gear case
- 9 COM-22160 Star lock washer
- 10 COM-20500 Screw, metal housing retaining
- 11 COM-22520 Nut for front shoulder bolt
- 12 COM-50040 Bearing, main drive gear
- 13 COM-20180 Screw, main bearing retaining
- 14 COM-60030 Counterweight w/bearing
- 14 COM-60025 Counterweight
- 15 COM-60055 Head assembly
- 15 COM-60050 Head assembly w/bearing, shaft, and snap ring
- 16 COM-10040 Motor case
- 17 COM-51705 Oiler felt for bronze bearing
- 18 COM-50020 Bronze bearing
- 19 COM-30520 Brush holder caps
- 20 COM-305000 Carbon brush, contoured spring & dead stop
- 21 COM-30510 Carbon brush holder
- 22 COM-21020 Screw, brush holder retaining
- 23 COM-30300 Field, 115V, 60Hz
- 24 COM-200200 Screw, rear handle
- 25 COM-22010 Split lock washer for field retaining screw
- 26 COM-20100 Screw, field retaining
- 27 COM-302000 Armature, 115V, 60Hz
- 28 COM-20080 Screw, motor bearing hold down
- 29 COM-50030 Bearing, lower motor
- 30 COM-51710 Lock ring for pinion gear
- 31 COM-30000 Switch, single pole, single throw, 115V
- 32 COM-31800 Crimp-on wire connector
- 33 COM-20060 Screw, grounding
- 34-1 COM-31810 Grounding terminal
- 34-2 COM-31040 Bakelite electric cord clip
- 34-3 COM-31030 Straining relief
- 34-4 COM-310000 Power cord

Not Illustrated

- COM-99900 Shrink wrap, rear handle
- COM-10050 Front handle, metal

