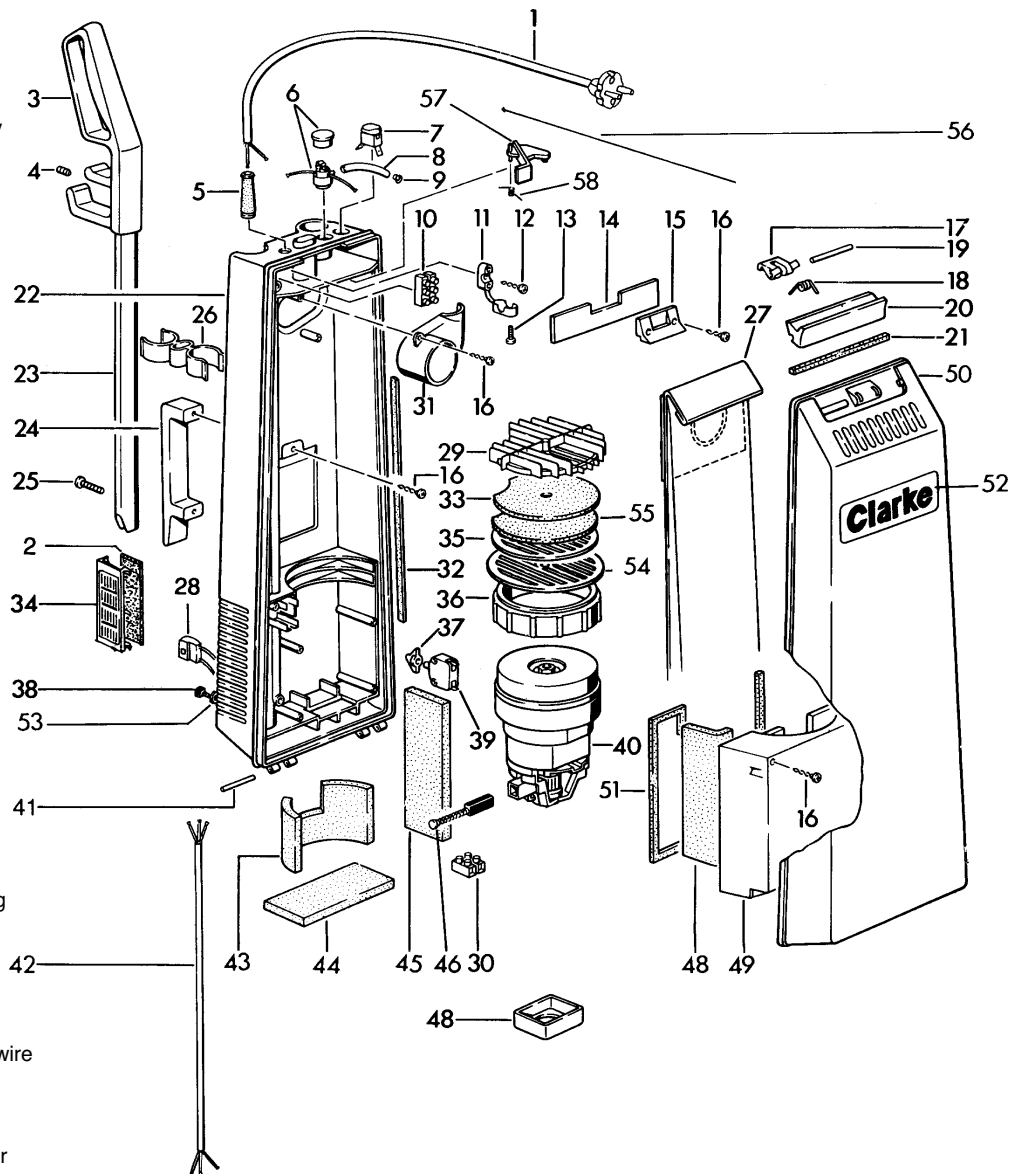


CLARKE MAINTAINER

Uprights

Model: 614

- 1 CL-51943A Power Cord, 115V
- 2 CL-53945A Exhaust Filter
- 3 CL-54902A Handle
- 4 CL-57948A Screw
- 5 CL-668101 Sleeve, cord, 115V
- 6 CL-44209A Light, indicator, 115V
- 7 CL-56405A Switch, master
- 8 CL-59302A Tubing
- 9 CL-57319A Rivet
- 10 CL-50636A Block, terminal
- 11 CL-57318A Strain Relief
- 12 CL-57950A Screw
- 13 CL-964006 Screw
- 14 CL-56834A Plate, cover
- 15 CL-51945A Catch, tank
- 16 CL-57951A Screw
- 17 CL-55702A Latch, housing
- 18 CL-58604A Spring
- 19 CL-56865A Pin, cylinder
- 20 CL-50637A Bar, release
- 21 CL-54224A Gasket, tank
- 22 CL-54845A Housing, rear
- 23 CL-59301A Tube, handle
- 24 CL-54903A Handle, carrying
- 25 CL-58015A Screw
- 26 CL-51946A Clamp, accessory
- 27 CL-50721A Paper Bag, 10 pack
- 28 CL-57336A Receptacle
- 29 CL-55102A Holder, filter
- 30 CL-912313 Block, terminal
- 31 CL-50316A Adapter, bag
- 32 CL-54320A Gasket
- 33 CL-53929A Filter, vac motor
- 34 CL-53946A Frame, filter
- 35 CL-58507A Spacer, filter
- 36 CL-57812A Ring, motor mounting
- 37 CL-52008A Cap, switch
- 38 CL-58016A Thumb Screw
- 39 CL-57952A Switch
- 40 CL-56014A Motor, vac, 115V
- 41 CL-56835A Pin, grooved
- 42 CL-51813A Cord, connecting, 3-wire
- 43 CL-53931A Foam
- 44 CL-53932A Foam
- 45 CL-53930A Exhaust Filter
- 46 CL-40820A Carbon Brush, motor
- 47 CL-56015A Motor Mount
- 48 CL-53928A Foam
- 49 CL-52722A Cover, vac motor
- 50 CL-54815A Front Housing
- 51 CL-54319A Gasket
- 52 CL-73296A Label, "Clarke"
- 53 CL-58040A Lenshead Screw
- 54 CL-53103A Filter Disk
- 55 CL-53935A Micro Filter, 6 pack, optional
- 56 CL-51947A Cord, nylon
- 57 CL-55658A Locking Bar
- 58 CL-58693A Spiral Spring
- CL-41442A Circuit Breaker, 115V



OPTIONAL ACCESSORIES

- CL-59205A Furniture Brush
- CL-59206A Floor Tool
- CL-53935A Filter, microstaph, 6 pack
- CL-55342A Filter Kit, 6 microstaph filters & spacer
- CL-16034A Reinforcing Plate Kit
- CL-50703B Cloth Bag

SAVE ON C.O.D. FEES!

Hesco Accepts: Visa, MasterCard, Discover, Bravo, Private Issue and American Express

HESCO: THE ONE STOP SHOP FOR ALL YOUR VACUUM REPAIR PARTS! 1-800-822-7467

CLARKE MAINTAINER

Uprights

Model: 614

- 1 CL-52741A Cover
 - 2 CL-55800A Brush Height Pedal
 - 3 CL-50672A Pivot Bracket
 - 4 CL-57335A Cylinder Pin
 - 5 CL-51510A Bushing
 - 6 CL-56864A Wear Plate
 - 7 CL-56859A Handle Pivot
 - 8 CL-58309A Pivot Shaft
 - 9 CL-56048A Inner Motor Mount
 - 10 CL-56025A Motor, brush, 120V
 - 11 CL-912313 Terminal Block
 - 13 CL-56863A Cylinder Pin
 - 14 CL-54843A Housing
 - 15 CL-51603A Bumper
 - 16 CL-55801A Tension Lever
 - 17 CL-57951A Screw
 - 18 CL-50127A Axle
 - 19 CL-50906A Belt, sold each
 - 20 CL-50674A Bearing Block, w/o threadguard
 - 21 CL-51145A Bearing
 - 22 CL-51427A Brush Roll Assembly, 14"
 - 23 CL-56861A Nozzle Plate
 - 24 CL-56403A Screw
 - 25 CL-56860A Fixing Plate
 - 26 CL-41440A Circuit Breaker, brush motor
 - 27 CL-59905A Wheel
 - 28 CL-50126A Wheel Axle
 - 29 CL-58617A Spring
 - 30 CL-56024A Mounting Switch
 - 31 CL-912311 Switch
 - 32 CL-51996A Cord Assembly
 - 33 CL-51997A Strain Relief
 - 34 CL-54348A Gasket
 - 35 CL-55705A Foot Latch
 - 36 CL-56402A Stop Rail
 - 37 CL-57402A Roller
 - 38 CL-50673A Block, w/ threadguard
 - 39 CL-58618A Tension Spring
 - 40 CL-58310A Pinion Shaft
 - 41 CL-40822A Carbon Brush
 - 42 CL-73309A Label, "614"
 - 43 CL-50451A Reinforcing Plate
 - 44 CL-56041A Inner Motor Mount
 - 45 CL-59867A Washer
 - 46 CL-53011A Screw, nozzle plate
-
- CL-54816A9 Hose Assy
 - CL-57958A0 Bleed-Off Slide
 - CL-59818A6 Wand
 - CL-59204A8 Upholstery Nozzle
 - CL-59203A9 Crevice Tool

