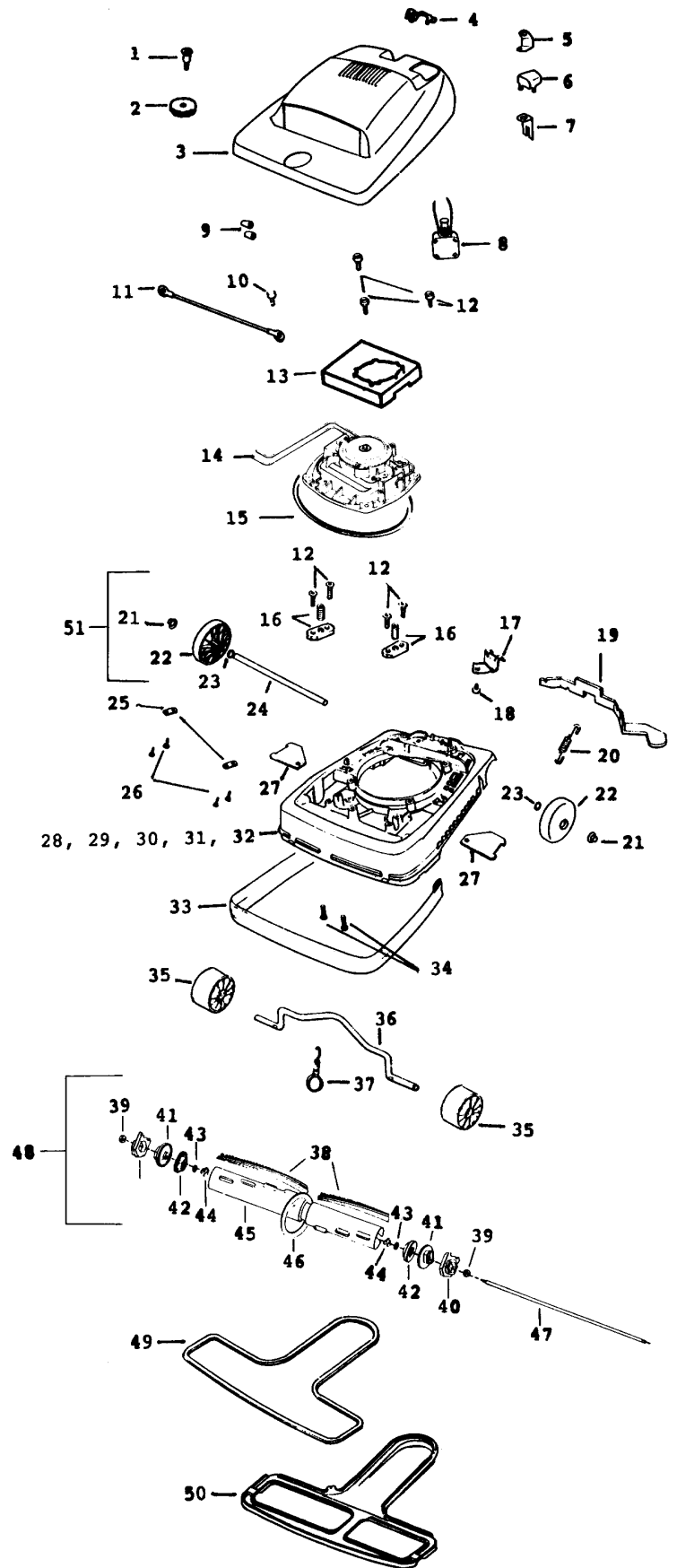


# CLARKE MAINTAINER

# Uprights

Model: 512P

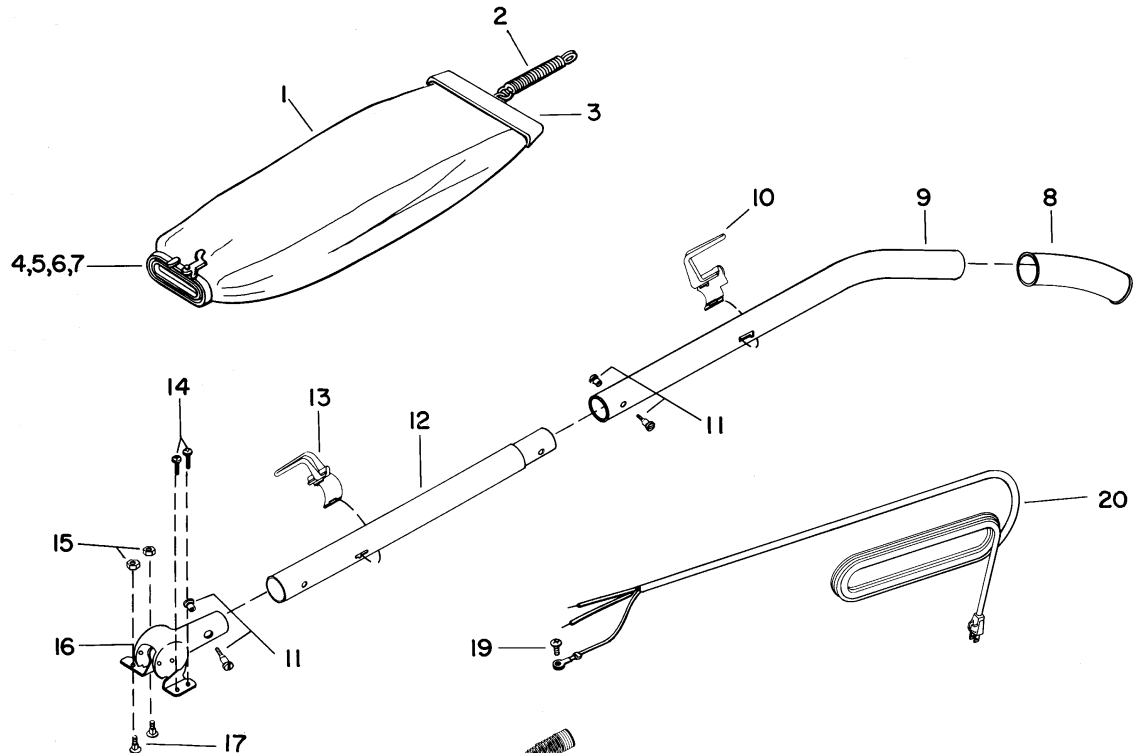
- 1 ..... E-53143 ..... Shoulder Screw
- 2 ..... E-380532 ..... Knob Assembly
- 3 ..... E-5400513 ..... Hood & Graphics, bright red
- 4 ..... E-53122 ..... Strain Relief Bushing
- 5 ..... E-382181 ..... Bushing Bracket
- 6 ..... E-268082 ..... Switch Button
- 7 ..... E-37989 ..... Switch Clip
- 8 ..... E-137385 ..... Push Switch
- 9 ..... E-532141 ..... Wire Nut
- 10 ..... E-5323813 ..... Screw
- 11 ..... E-55296 ..... Wire & Terminal Assy
- 12 ..... E-5323814 ..... Screw
- 13 ..... E-38067 ..... Separator Assy
- 14 ..... E-543523 ..... Motor Assembly
- 15 ..... E-20517 ..... Motor Mounting Gasket
- 16 ..... E-53140 ..... Clamp & Screw Assy
- 17 ..... E-37034 ..... Adapter Retainer
- 18 ..... E-5323811 ..... Screw
- 19 ..... E-24834A1 ..... Foot Pedal
- 20 ..... E-53097 ..... Foot Pedal Spring
- 21 ..... E-53121 ..... Pushnut
- 22 ..... E-262421 ..... Rear Wheel
- 23 ..... E-53110 ..... Wheel Washer
- 24 ..... E-37183 ..... Rear Axle
- 25 ..... E-53201 ..... Axle Clamp
- 26 ..... E-5323811 ..... Screw
- 27 ..... E-36263 ..... Wheel Cover
- 28 ..... E-544106 ..... Base Assembly
- 29 ..... E-24964A ..... Cam, right side
- 30 ..... E-24965A ..... Cam, left side
- 31 ..... E-53118 ..... Rivet
- 32 ..... E-53133 ..... Washer
- 33 ..... E-275641 ..... Furniture Guard
- 34 ..... E-532155 ..... Screw
- 35 ..... E-358591 ..... Front Wheel
- 36 ..... E-35947A ..... Front Axle
- 37 ..... E-530762 ..... Axle Spring
- 38 ..... E-522824 ..... Bristle Strip Set
- 39 ..... E-53158 ..... Locknut
- 40 ..... E-26059A ..... Cap Cover
- 41 ..... E-26057A ..... End Cap
- 42 ..... E-45256 ..... Bearing Retainer Assembly
- 43 ..... E-49899 ..... Felt Washer
- 44 ..... E-53184 ..... Klipring
- 45 ..... E-132363 ..... Brush Roll Tube Only
- 46 ..... E-30563A ..... Belt, sold each
- 46 ..... E-52100 ..... Belt, 2 pack
- 46 ..... E-250 ..... Belt, replacement, sold each
- 47 ..... E-25937 ..... Shaft
- 48 ..... E-53270 ..... Brush Roll Assembly, complete
- 49 ..... E- ..... Gasket, bottom plate
- 50 ..... E-259221 ..... Bottom Plate Assembly
- 51 ..... E-372341 ..... Wheel & Axle Assembly



# CLARKE MAINTAINER

# Uprights

Model: 512P



- 1 ..... E-545822 ..... **Bag Assembly**, black
- 1 ..... E-534161 ..... **Bag Assembly**, red, dual purpose, uses paper
- ..... E-52320 ..... **Paper Bag**, "F&G", 3 pack
- ..... E-57695 ..... **Paper Bag**, "F&G", microfilter, 3 pack
- 2 ..... E-47722 ..... **Bag Spring**
- 3 ..... E-30544D10 ..... **Bag Clip**, chrome
- 4 ..... E-541741 ..... **Bag Adapter Assembly**
- 5 ..... ..... **Cam**
- 6 ..... ..... **Pin**
- 7 ..... E-48282 ..... **Gasket**, bag adapter
- 8 ..... E-352938 ..... **Handle Grip**, black
- 9 ..... E-2532920 ..... **Handle Assy**, upper

- 10 ..... E-535741 ..... **Cord Retainers**, pair
- 11 ..... E-531981 ..... **Screw & Nut Assy**
- 12 ..... E-126378 ..... **Handle Tube**, lower
- 13 ..... E-535741 ..... **Cord Retainers**, pair
- 14 ..... E-5323813 ..... **Screw**
- 15 ..... E-532135 ..... **Nut**
- 16 ..... E-381831 ..... **Handle Socket Assy**
- 17 ..... E-53145 ..... **Bolt**
- 18 ..... E-53077 ..... **Spring**
- 19 ..... E-5323813 ..... **Screw**
- 20 ..... E-5237012 ..... **Power Cord**

- 1 ..... E-53138 ..... **Retainer Screw**
- 2 ..... E-20217E ..... **Retainer Assembly**
- 3 ..... ..... **Hex Nut**
- 4 ..... E-532223 ..... **Lockwasher**
- 5 ..... ..... **Brush Screw**
- 6 ..... ..... **Motor Brush Assembly**
- 7 ..... E-54396 ..... **Motor Cover**
- 8 ..... E-543954 ..... **Armature & Fan Assembly**
- 9 ..... E-534412 ..... **Field Assembly**
- 10 ..... E-541691 ..... **Motor Base Assembly**
- 11 ..... E-54412 ..... **Bearing & Retainer Assy**
- 12 ..... E-531871 ..... **Rivet**
- 13 ..... ..... **Cable Tie**
- 14 ..... E-53142 ..... **Orlo Thread Screw**
- 15 ..... E-531881 ..... **Washer**
- 16 ..... E-53148 ..... **Fan Washer**
- 17 ..... E-12988 ..... **Fan**
- 18 ..... E-370122 ..... **Pulley**

## Motor Assembly

