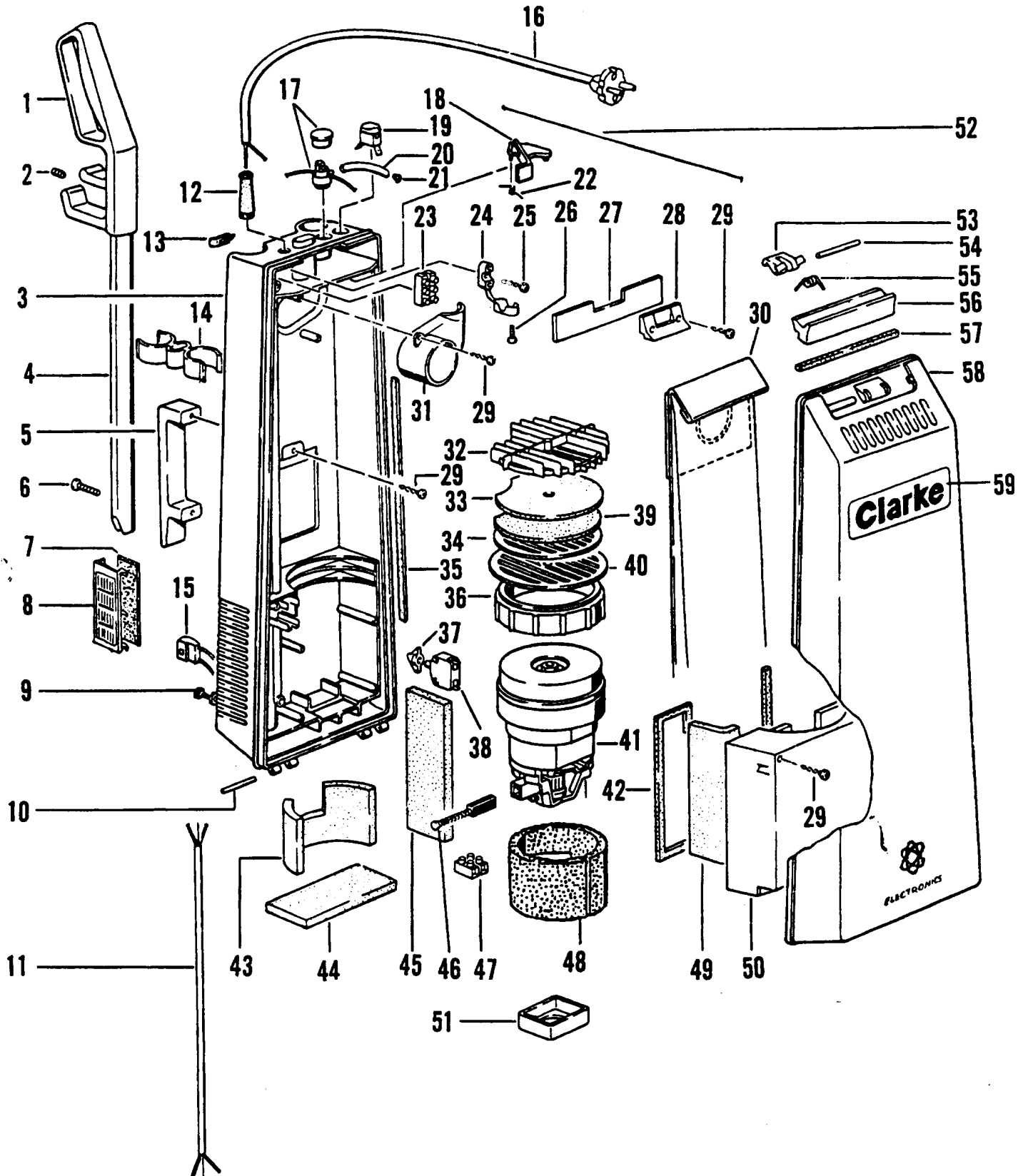


CLARKE MAINTAINER

COMBI-VAC

Model: 614E, 618E



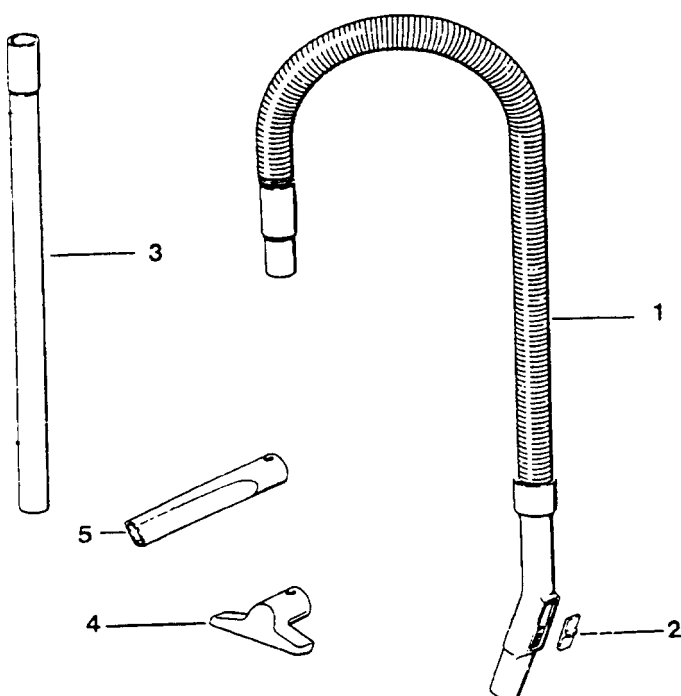
PHONE: 1-800-822-7467 FAX: 847-647-0534 E-MAIL: sales@hescoinc.com WEB: www.hescoinc.com

CLARKE MAINTAINER

COMBI-VAC

Model: 614E, 618E

- | | |
|------------------------------------------------------|----------------------------------------------|
| 1.....CL-54924A.....Handle, gray | 30.....CL-50721A.....Paper bag, 10 pk |
| 2.....CL-57948A.....Screw | 31.....CL-50316A.....Adapter, bag |
| 3.....CL-55124A.....Housing, rear, gray | 32.....CL-55102A.....Holder, filter |
| 4.....CL-59301A.....Tube, handle | 33.....CL-53929A.....Filter, vac motor |
| 5.....CL-54925A.....Handle, carrying, gray | 34.....CL-58507A.....Spacer, filter |
| 6.....CL-58015A.....Screw | 35.....CL-54320A.....Gasket |
| 7.....CL-53945A.....Filter, exhaust | 36.....CL-57812A.....Ring, motor mounting |
| 8.....CL-54018A.....Frame, filter, gray | 37.....CL-52008A.....Cap, switch |
| 9.....CL-58016A.....Screw, thumb set | 38.....CL-57952A.....switch |
| 10.....CL-58016A.....Screw, thumb set | 39.....CL-53935A.....Microfilter, 6 pack |
| 11.....CL-51813A.....Cord, connecting, 3-wire | 40.....CL-53103A.....Filter disc |
| 12.....CL-58407A.....Sleeve, gray, 115v | 41.....CL-56014A.....Motor, vac, 115v |
| CL-58403A.....Sleeve, 230v | CL-56028A.....Motor, vac, 230v |
| 13.....CL-51889A.....Controller, electronic ignition | 42.....CL-54319A.....Gasket |
| 14.....CL-51894A.....Clamp, accessory, gray | 43.....CL-53931A.....Foam |
| 15.....CL-57336A.....Receptacle | 44.....CL-53932A.....Foam |
| 16.....CL-51943A.....Cord, power, 115v | 45.....CL-53930A.....Filter, exhaust |
| CL-51915A.....Cord, power, 230v | 46.....CL-40820A.....Brush, motor, 120v |
| 17.....CL-44209A.....Light, indicator, 115v | 47.....CL-912313.....Block, terminal |
| CL-55630A.....Light, indicator, 230v | 48.....CL-57813A.....Ring, foam |
| 18.....CL-55658A.....Bar, locking | 49.....CL-53928A.....Foam |
| 19.....CL-56405A.....Switch, master | 50.....CL-52722A.....Cover, vac motor |
| 20.....CL-59302A.....Tubing | 51.....CL-56015A.....Motor mount |
| 21.....CL-57319A.....Rivet | 52.....CL-51947A.....Cord, nylon |
| 22.....CL-58693A.....Spring, spiral | 53.....CL-55702A.....Latch, housing |
| 23.....CL-50636A.....Block, terminal | 54.....CL-56865A.....Pin, cylinder |
| 24.....CL-57318A.....Strain relief | 55.....CL-53604A.....Spring |
| 25.....CL-57950A.....Screw | 56.....CL-50574A.....Bar-housing latch, gray |
| 26.....CL-964006.....Screw | 57.....CL-54224A.....Gasket, tank |
| 27.....CL-56834A.....Plate, cover | 58.....CL-55123A.....Housing, front, gray |
| 28.....CL-51945A.....Catch, tank | 59.....CL-77190A.....Label, "Clarke", gray |
| 29.....CL-57951A.....screw | |



- | |
|----------------------------------------------|
| 1.....CL-55127A.....Hose, vacuum, gray |
| 2.....CL-53046A.....Slide, bleed off, gray |
| 3.....CL-59875A.....Wand, gray |
| 4.....CL-59216A.....Nozzle, upholstery, gray |
| 5.....CL-59217A.....crevice tool, gray |

CLARKE MAINTAINER

COMBI-VAC

Model: 614E, 618E

- 1.....CL-55664ALamp, glow, 115v
- 2.....CL-57383ARectifier, bridge
- 3.....CL-57951AScrew
- 4.....CL-51997AClamp, strain relief
- 5.....CL-51996ACord, interconnecting
- 6.....CL-50570ACircuit breaker, brush motor
- 7.....CL-912311Switch
- 8.....CL-56024AMounting switch
- 9.....CL-58617ASpring
- 10.....CL-77188ALabel, "CombiVac", 614, gray
CL-77189ALabel, "CombiVac", 618, gray
- 11.....CL-57387ARetainer
- 12.....CL-50126AAxle, wheel
- 13.....CL-59905AWheel
- 14.....CL-55801Alever, tension
- 15.....CL-56860APlate, tension
- 16.....CL-56403AScrew
- 17.....CL-57715ARetaining ring
- 18.....CL-902648Ball bearing
- 19.....CL-50674ABearing block, w/o threadguard
- 20.....CL-53010ASecurity disc
- 21.....CL-53011Ascrew, nozzle plate
- 22.....CL-55705ALatch, front
- 23.....CL-56402AStop rail
- 24.....CL-56045AInner mount, brush motor
- 25.....CL-56044AOuter mount, brush motor
- 26.....CL-58618ATension spring
- 27.....CL-57402ARoller
- 28.....CL-52774ACover, brush housing, gray
- 29.....CL-50451AReinforcing plate
- 30.....CL-55665ALens
- 31.....CL-55805APedal, height adjustment, gray
- 32.....CL-50672APivot bracket
- 33.....CL-57335APin, cylinder
- 34.....CL-51510ABushing
- 35.....CL-56864AStrain relief
- 36.....CL-56859AHandle pivot
- 37.....CL-58309AShaft, pivot
- 38.....CL-57264APulley, driver
- 39.....CL-56056AMotor assembly
- 40.....CL-51457ACarbon brush, brush motor
- 41.....CL-56863APin, cylinder
- 42.....CL-55126AHousing, lower, 614, gray
CL-55125AHousing, lower, 618, gray
- 43.....CL-51611ABumper, 614, gray
CL-51610ABumper, 618, gray
- 44.....50127AAxle, adjusting
- 45.....CL-50922ABelt, cogged
- 46.....CL-50673ABearing block, w/o threadguard
- 47.....CL-51485ABrush roll assy, complete, 614
CL-51486ABrush roll assy, complete, 618
- 48.....CL-50476ALocking pin, black
- 49.....CL-57149ANozzle plate, 614, gray
CL-57148ANozzle plate, 618, gray

