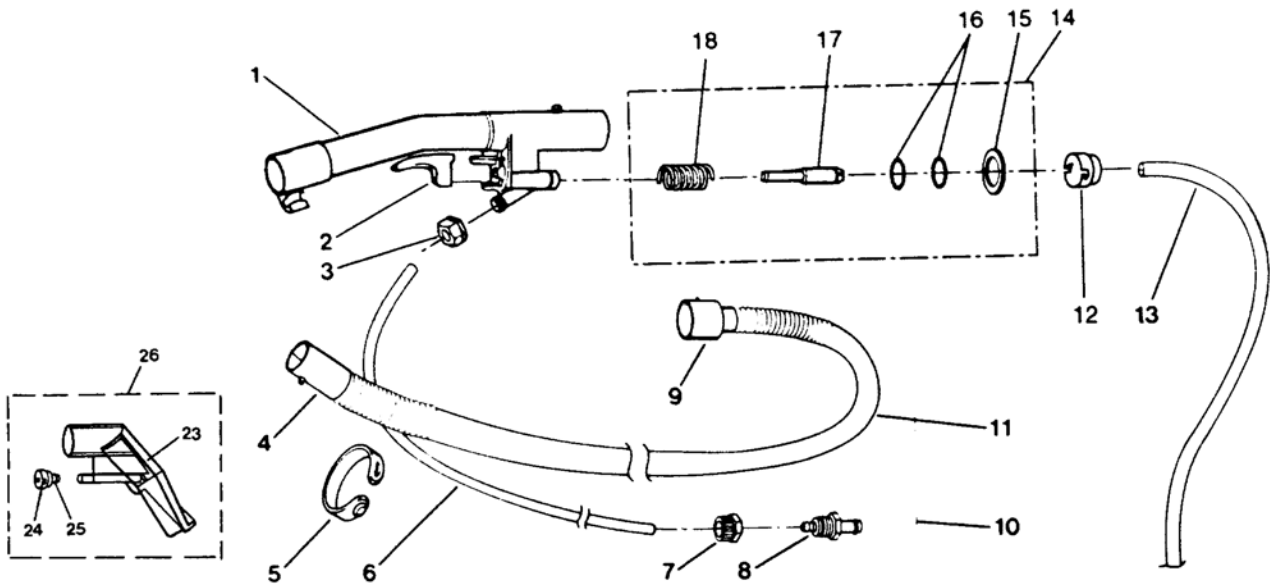


BISSELL

Deep Cleaners

Model: WS-1800 / WS-2000

1.....N/A.....	Handle Plate, 2000	31.....BI-5552160.....	Coupling Body
2.....NLA.....	Screw, handle, 2000	32.....BI-5550086.....	Screws, separator, 2000
3.....N/A.....	Handle Shroud, w/ label, 2000	33.....NLA.....	Upper Container, w/ filler door
4.....BI-5550504.....	Power Switch Cap	34.....NLA.....	Retaining Ring
5.....N/A.....	Screw, motor housing, 2000	35.....N/A.....	Screw, ground lead
6.....BI-5551068.....	Female Pigtail, 2000	36.....NLA.....	Lead, w/ terminal
6.....NLA.....	Female Pigtail, 1800	37.....BI-5551106.....	Tubing Assy, w/ #39,34,31
7.....BI-7102650.....	Wiring Nut	38.....BI-5551099.....	Screws, valve seat
8.....NLA.....	Power Switch	39.....BI-5551055.....	Valve Seat
9.....N/A.....	Power Cord, w/ terminal	40.....BI-5551100.....	Gasket
10.....NLA.....	Motor Seal	41.....N/A.....	Lower Container
11.....N/A.....	Motor Cover, 2000	42.....N/A.....	Pigtail
11.....N/A.....	Motor Cover, 1800	43.....NLA.....	Screws, lower container
12.....N/A.....	Motor Seal	44.....BI-7101200.....	Strain Relief
13.....N/A.....	Carbon Brush Assy	45.....BI-5551280.....	Screws, motor
14.....N/A.....	Motor Seal	46.....N/A.....	Dirt Container
15.....BI-5550595.....	Motor Assy, 2000	47.....NLA.....	Screw, latch
15.....N/A.....	Motor Assy, 1800	48.....NLA.....	Latch
16.....BI-5550371.....	Latch	49.....NLA.....	Spacer
17.....N/A.....	Cover Assy, w/ #19,20,21,22	50.....NLA.....	Filler Door
18.....NLA.....	Screw, cover, 2000	51.....BI-5551063.....	Washer
18.....BI-5550086.....	Screw, cover, 1800	52.....BI-5551187.....	Foam Filter
19.....BI-5551188.....	Foam Filter	53.....BI-5551280.....	Screw, motor
20.....BI-5550598.....	Valve Assy, w/ #21,22	54.....BI-5551052.....	Caster
21.....BI-5551182.....	Screw, valve	55.....BI-5550921.....	O-Ring Gasket
22.....BI-5550500.....	Sensor Guard	56.....NLA.....	Pump Motor
23.....BI-7135112.....	Pump Switch Cap, 2000	57.....BI-5550509.....	Cloth Dust Filter
24.....BI-5550610.....	Baffle	58.....NLA.....	Handle Plate Label, 1800
25.....NLA.....	Screw	59.....N/A.....	Handle Shroud, w/ label, 1800
26.....BI-5554757.....	Pump Switch, w/ cap, 2000	60.....N/A.....	Screw, motor housing, 1800
27.....BI-8806142.....	Rivet	61.....N/A.....	Screw, switch, 1800
28.....NLA.....	Washer, wave	62.....N/A.....	Separator Plate, w/ #2,8,9,5A, 1800
29.....NLA.....	Washer	63.....N/A.....	Gasket Kit, 1800
30.....N/A.....	Separator Plate, w/ #8, 2000	64.....N/A.....	Screw, separator plate, 1800



1.....NLA.....	Angled Wand, w/ #2,14	15.....NLA.....	O-Ring
2.....BI-5554343.....	Trigger	16.....NLA.....	O-Ring
3.....NLA.....	Ferrule Nut	17.....NLA.....	Valve Shut-Off
4.....BI-2552212.....	Swivel Connector, 1 1/4" diam.	18.....NLA.....	Spring, valve
5.....BI-5551294.....	Tubing Strap	19.....BI-6032011.....	Straight Wands
6.....NLA.....	Tubing, hose, 1800, 2000	20.....BI-5551173.....	Nozzle Assy, w/ #3,12,13
7.....NLA.....	Nut, coupling insert	21.....BI-5556502.....	Retaining Clip
8.....NLA.....	Coupling Insert	22.....N/A.....	Dry Floor Tool
9.....NLA.....	Swivel Connector, 2 1/2" diam.	23.....N/A.....	Wet Upholstery Tool
10.....N/A.....	Hose & Angled Wand Assy, 2000	24.....BI-5554463.....	Nut
10.....N/A.....	Hose & Angled Wand Assy, 2000	25.....NLA.....	O-Ring
11.....BI-5550735.....	8 ft Hose, 1800, 2000	26.....NLA.....	Upholstery Tool
12.....NLA.....	Quick Disconnect Nut	27.....N/A.....	Carpet & Upholstery Cleaning Formula, 32oz
13.....BI-7139401.....	Tubing, to nozzle		
14.....NLA.....	Valve Assy Kit, w/ trigger		