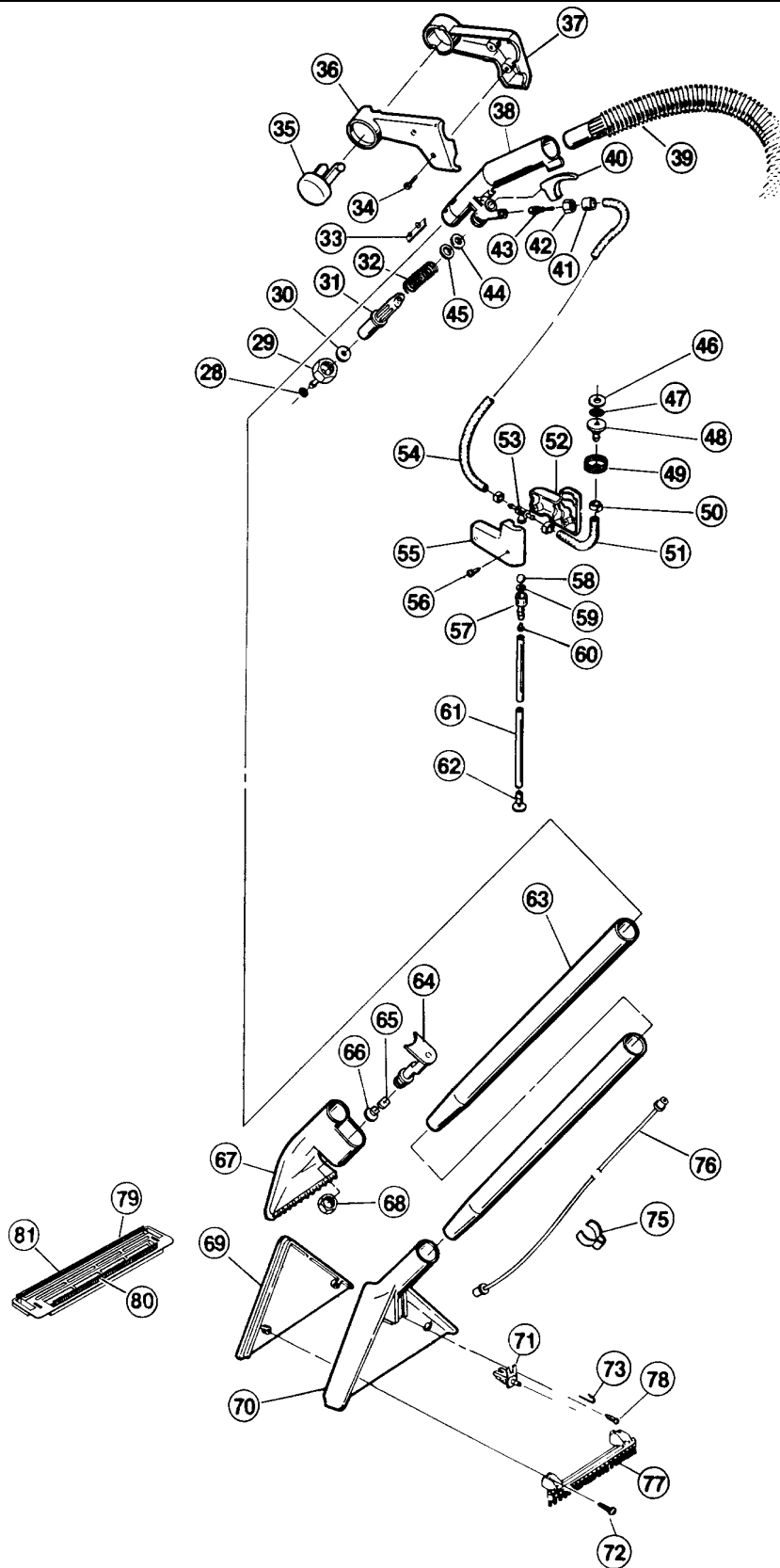


Models:

Power Steamer Extraction Wand, aluminum (1988,89,90)

Power Steamer Extraction Wand / Bare Floor Tool, deluxe (1989,90)

Power Steamer Extraction Wand



Models:

Power Steamer Extraction Wand, aluminum (1988,89,90)

Power Steamer Extraction Wand / Bare Floor Tool, deluxe (1989,90)

Power Steamer Extraction Wand

28.....BI-5559058.....O-Ring	57.....N/A.....Cap, check valve, deluxe, aluminum(1988,89)
29.....N/A.....Cap, valve	57.....N/A.....Cap, check valve, aluminum(1990)
30.....BI-9626.....Washer, (1989), aluminum(1988,89)	58.....BI-0100325.....Ball Valve, deluxe, aluminum(1989,90)
30.....N/A.....Washer, deluxe(1990)	58.....N/A.....Ball Valve, aluminum(1988)
30.....N/A.....Washer, aluminum(1990)	59.....N/A.....O-Ring, deluxe(1989), aluminum(1988,89)
31.....BI-2164181.....Shaft, valve, deluxe(1989), aluminum(1988,89)	59.....BI-5559058.....O-Ring, deluxe(1990), aluminum(1990)
31.....N/A.....Shaft, valve, deluxe(1990), aluminum(1990)	60.....BI-0175110.....Orifice, metering, deluxe, aluminum(1989)
32.....N/A.....Spring	60.....N/A.....Orifice, metering, aluminum(1988)
33.....N/A.....Button, lock, deluxe(1989)	60.....N/A.....Orifice, metering, aluminum(1990)
33.....BI-2164181.....Button, lock, deluxe(1990), aluminum	61.....N/A.....Tube, deluxe(1989)
34.....880-7030.....Screw	61.....BI-5559094.....Tube, deluxe(1990)
35.....N/A.....Cap, grip end, deluxe(1989), aluminum(1988)	61.....BI-5559008.....Tube, aluminum
35.....N/A.....Cap, grip end, deluxe(1990), aluminum(1989,90)	62.....BI-5559036.....Filter
36.....BI-0134166.....Grip, wand, R.H.,deluxe(1989), aluminum	63.....BI-6032011.....Wand, deluxe(1989), aluminum
36.....N/A.....Grip, wand, R.H.,deluxe(1990)	63.....BI-0109654.....Wand, deluxe(1990)
37.....BI-0134166.....Grip, wand, L.H., deluxe(1989), aluminum	64.....NLA.....Tube Transfer
37.....N/A.....Grip, wand, L.H., deluxe(1990)	65.....N/A.....Gasket
38.....BI-2164181.....Grip, deluxe(1989), aluminum	66.....N/A.....Spray Tip
38.....BI-2164181.....Grip, deluxe(1990)	67.....BI-2159151.....Upholstery Tool, deluxe(1989)
39.....BI-2104675.....Hose, flex, deluxe, aluminum(1990)	67.....BI-2159151.....Upholstery Tool, deluxe(1990), aluminum(1990)
39.....N/A.....Hose, flex, aluminum(1988,89)	67.....N/A.....Upholstery Tool, aluminum(1988)
40.....N/A.....Trigger, deluxe(1989), aluminum	67.....N/A.....Upholstery Tool, aluminum(1989)
40.....N/A.....Trigger, deluxe(1990)	68.....N/A.....Nut, retainer
41.....BI-5559034.....Collar	69.....N/A.....Plate, deluxe
42.....N/A.....Cap, swivel, deluxe(1989), aluminum(1988,89)	69.....N/A.....Plate, aluminum(1988)
42.....N/A.....Cap, swivel, deluxe(1990)	69.....N/A.....Plate, aluminum(1989)
42.....BI-5559020.....Cap, swivel, aluminum(1990)	70.....BI-5559005.....Nozzle, deluxe(1989)
43.....N/A.....Stem, hose, deluxe(1989), aluminum	70.....BI-5559005.....Nozzle, deluxe(1990)
43.....BI-5559020.....Stem, hose, deluxe(1990)	70.....N/A.....Nozzle, aluminum(1988)
44.....BI-2106206.....O-Ring	70.....BI-5559005.....Nozzle, aluminum(1989,90)
45.....BI-7388.....Retainer, spring	71.....BI-6150.....Nozzle, spray, deluxe
46.....BI-0109624.....Washer	71.....N/A.....Nozzle, spray, aluminum(1988,89)
47.....N/A.....Screen, filter, deluxe(1989), aluminum(1988,89)	71.....BI-2156150.....Nozzle, spray, aluminum(1990)
47.....BI-2119600.....Screen, filter, deluxe(1990), aluminum(1990)	72.....BI-7007.....Screw
48.....NLA.....Stem, faucet	73.....BI-2109151.....Tool Clean-Out
49.....N/A.....Nut, hose	74.....N/A.....Plate, aluminum(1988,89)
50.....BI-0108693.....Clamp	75.....N/A.....Clip, hose, deluxe(1989), aluminum(1989,90)
51.....N/A.....Hose, 2 1/2", deluxe	75.....N/A.....Clip, hose, deluxe(1990)
51.....N/A.....Hose, 2 1/2", aluminum	75.....BI-2132453.....Clip, hose, aluminum(1988)
52.....N/A.....Shroud, R.H.	76.....BI-0109464.....Tube & Connector Assy, deluxe(1989), aluminum
53.....BI-0175110.....Injector, deluxe(1989), aluminum(1989)	76.....N/A.....Tube & Connector Assy, deluxe(1990)
53.....N/A.....Injector, aluminum(1988)	77.....BI-5559003.....Brush Assy
53.....N/A.....Injector, deluxe(1990)	78.....BI-7026.....Screw
53.....BI-0175110.....Injector, aluminum(1990)	79.....N/A.....Base, deluxe
54.....BI-2104681.....Hose, 50 ft, deluxe(1989), aluminum(1990)	80.....N/A.....Brush, deluxe
54.....BI-6035110.....Hose, 50 ft, deluxe(1990)	81.....N/A.....Squeegee, deluxe(1989)
54.....N/A.....Hose, 50 ft, aluminum(1988,89)	81.....N/A.....Squeegee, deluxe(1990)
55.....N/A.....Shroud, one piece, deluxe(1989), aluminum(1988,89)	
55.....BI-0174941.....Shroud, one piece, deluxe(1990), aluminum(1990)	
56.....N/A.....Screw, deluxe	
56.....N/A.....Screw, aluminum	

Carpet Machine Extraction Wand, plastic (1988,89,90)
 Carpet Machine Extraction Wand, aluminum (1988,89,90)

CARPET MACHINE EXTRACTION WAND

- 1.....BI-2104677..... Flex Hose, w/ adapter & cuff
- 2.....BI-2164181..... Grip Tube, w/ button
- 3.....BI-5559058..... O-Ring
- 4.....N/A..... Cap, valve
- 5.....BI-9626..... Washer, (1988,89)
- 5.....BI-9626..... Washer, (1990)
- 8.....BI-2164181..... Valve Shaft, (1988,89)
- 8.....N/A..... Valve Shaft, (1990)
- 9.....N/A..... Spring
- 10.....BI-7388..... Retainer, spring
- 11.....BI-2106206..... O-Ring
- 12.....BI-0108628..... Stem
- 12.....BI-8629..... Stem, plastic(1990)
- 13.....N/A..... Cap, swivel, (1988,89)
- 13.....BI-5559020..... Cap, swivel, aluminum(1990)
- 13.....N/A..... Cap, swivel, plastic(1990)
- 14.....BI-5559034..... Collar
- 15.....BI-2164181..... Trigger
- 16.....BI-0104678..... Hose, (1988,89)
- 16.....BI-2104681..... Hose, (1990)
- 17.....BI-6032011..... Wands, aluminum, 2 piece
- 17.....BI-5559131..... Wand, plastic, straight
- 18.....NLA..... Transfer Tube, (1988,1990)
- 18.....BI-5559008..... Transfer Tube, (1989)
- 19.....N/A..... Gasket
- 20.....N/A..... Spray Tip
- 21.....N/A..... Upholstery Tool, aluminum(1988,89)
plastic(1988)
- 21.....BI-2139150..... Upholstery Tool, (1990)
- 21.....BI-2159151..... Upholstery Tool, plastic(1989)
- 22.....BI-0107387..... Nut, retainer
- 23.....N/A..... Face Plate, (1988,89)
- 23.....N/A..... Face Plate, (1990)
- 24.....N/A..... Nozzle, (1988,89)
- 24.....BI-5559005..... Nozzle, (1990)
- 25.....BI-7007..... Screw
- 26.....N/A..... Nozzle, spray, (1988)
- 26.....BI-2156150..... Nozzle, spray, (1989,90)
- 27.....N/A..... Plate, spray nozzle, (1988)
- 27.....N/A..... Plate, spray nozzle, (1989)
- 28.....BI-2109151..... Clean-Out Tool
- 29.....BI-5559003..... Brush Assy
- 30.....N/A..... Shroud, 1 pc., (1988,89)
- 30.....BI-0174941..... Shroud, 1 pc., (1990)
- 31.....N/A..... Clip, hose, aluminum(1988,89)
- 31.....BI-2132453..... Clip, hose, aluminum(1990)
- 32.....BI-5559008..... Tube & Conn. Assy, does not come with
connector, connector N/A
- 33.....BI-7026..... Screw
- 34.....N/A..... Screw, (1988,89)
- 34.....BI-7026..... Screw, (1990)
- 35.....N/A..... Cap, check valve, (1988,89)
- 35.....BI-2031659..... Cap, check valve, (1990)
- 36.....BI-5559008..... Tube, aluminum(1988,89), plastic(1988)
- 36.....BI-5559094..... Tube, (1990)
- 36.....N/A..... Tube, plastic(1989)
- 37.....BI-01133529..... Filter
- 38.....N/A..... Orifice, metering, (1988,89)
- 38.....BI-0175110..... Orifice, metering, (1990)
- 39.....N/A..... O-Ring
- 40.....N/A..... Ball Valve, (1988)
- 40.....BI-0100325..... Ball Valve, (1989,90)
- 41.....N/A..... Hose
- 42.....BI-0108693..... Strap, hose clamp
- 43.....N/A..... Nut, hose, aluminum(1988,89)
- 43.....N/A..... Nut, hose, aluminum(1990)
- 44.....BI-0108626..... Stem
- 45.....BI-0109624..... Washer
- 46.....N/A..... Washer, filter, (1988,89)
- 46.....BI-2119600..... Washer, filter, (1990)
- 47.....BI-0138009..... Shroud, R.H.
- 48.....N/A..... Injector, (1988,89)
- 48.....BI-0175110..... Injector, (1990)
- BI-0152672..... Splice Kit, includes #s 12,13,14, w/ washer

