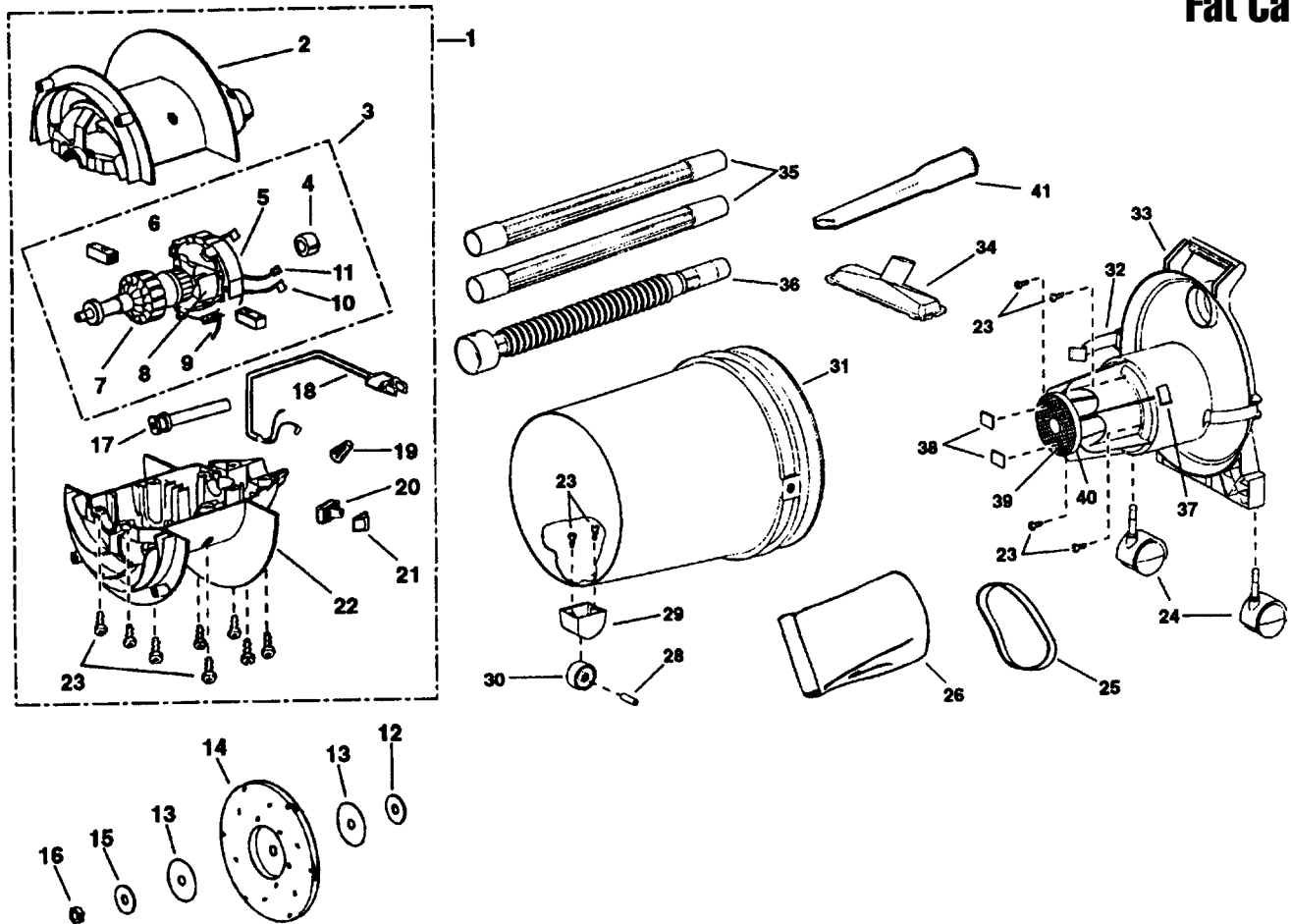


Model: FC-1

Fat Cat



- 1 N/A Motor Assy, complete, incl. #2-11,18-23
- 2 N/A Upper Motor Housing
- 3 N/A Armature/Field Assy, incl. #4-11
- 4 BI-5550024 Sleeve Bearing
- 5 N/A Field Assy, incl. #8-11
- 6 N/A Brush Tube Assy
- 7 BI-5554805 Armature
- 8 N/A Field Core Barrier
- 9 N/A White Lead
- 10 N/A Yellow Lead
- 11 N/A Black Lead
- 12 N/A Spacer
- 13 N/A Flat Washer
- 14 N/A Impeller
- 15 N/A Flat Washer
- 16 N/A Hex Nut
- 18 N/A Power Cord
- 19 BI-7102650 Wire Nut
- 20 N/A Switch

- 21 N/A Switch Button
- 22 N/A Lower Motor Housing
- 23 BI-8807002 Screws
- 24 N/A Front Caster
- 25 N/A Rubber Band, incl. w/ #26
- 26 N/A Paper Filter Bag, FCD, incl. #25
- 28 N/A Rear Wheel Axle
- 29 N/A Rear Wheel Housing
- 30 N/A Rear Wheel
- 31 N/A Bucket, w/ rear wheel assy
- 32 N/A Latch
- 33 N/A Lid Assy, incl. #24,37,38,39,40
- 34 N/A Floor Nozzle
- 35 N/A Wand
- 36 N/A Hose
- 37 N/A Gasket
- 38 N/A Foam Pad
- 39 N/A Retainer
- 40 BI-5550500 Guard