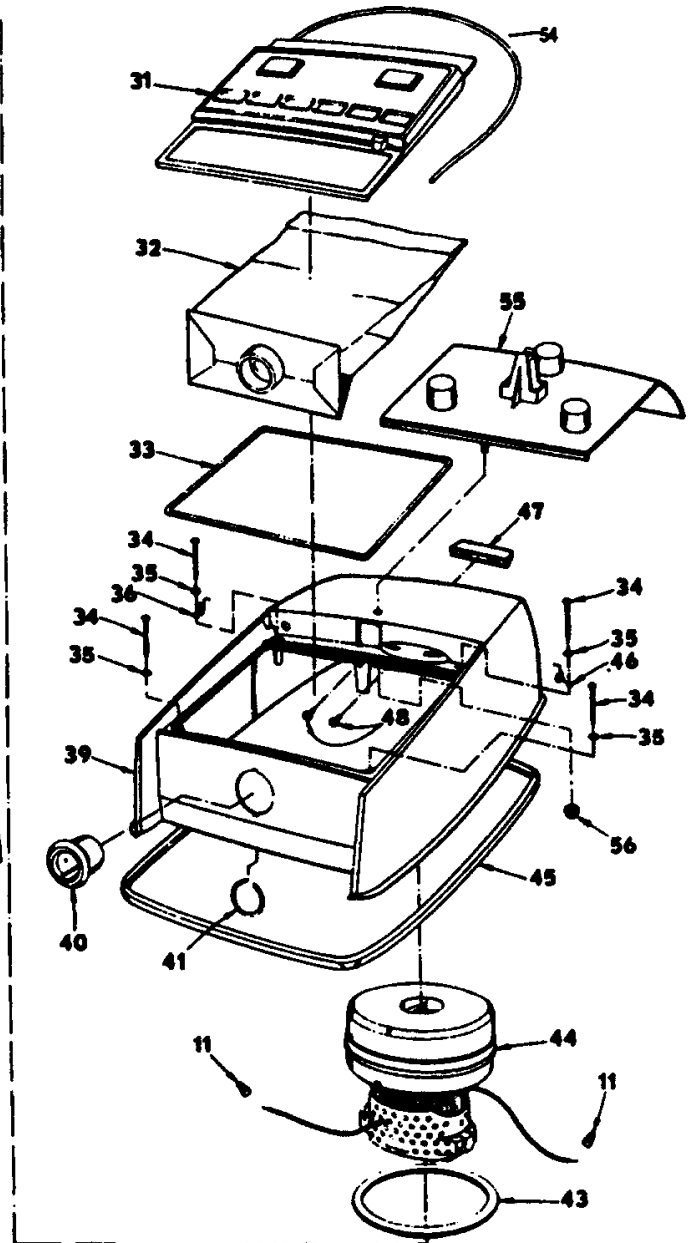
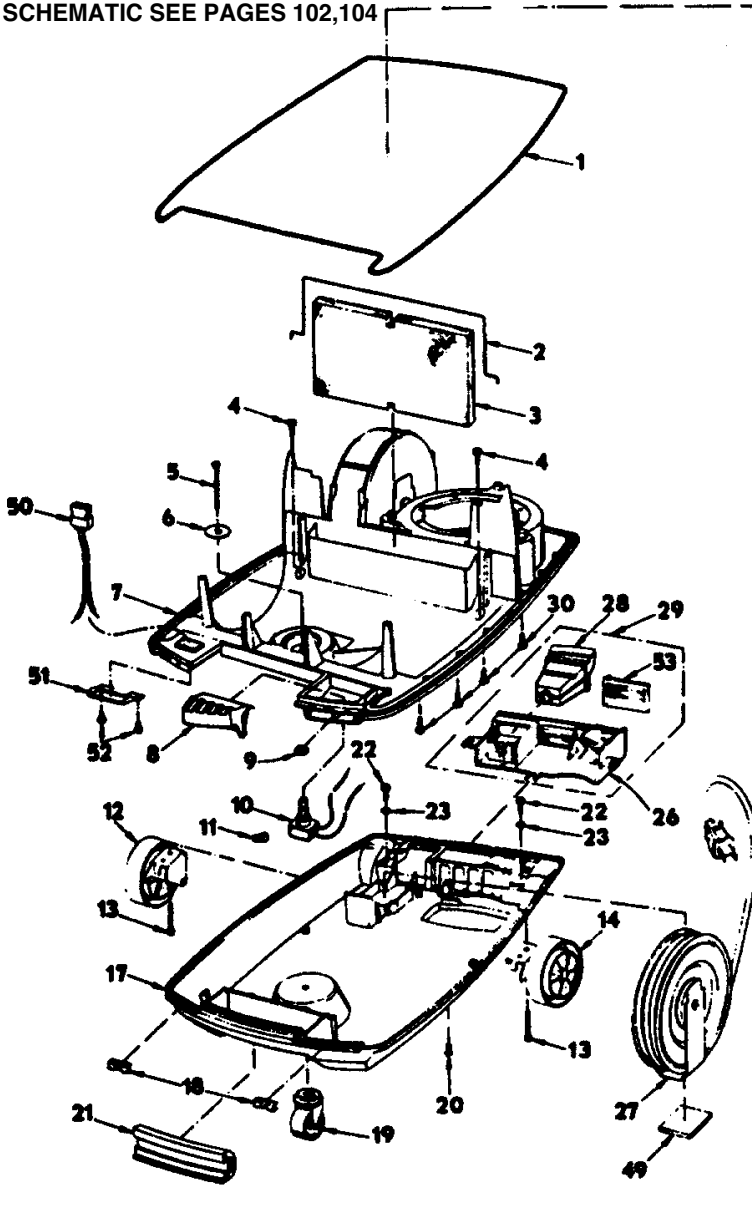


Model: CSS-100 / CSS-100B / CSS-160 / CSS-220 / CSS-300 / CSS-340 / CSS-350
 CSS-360 / CSS-500 / CSS-1000 / CSS-1000B

FOR POWER NOZZLE
 SCHEMATIC SEE PAGES 102,104



- 1 BI-5550747 Main Seal, CSS100/B-500-1000/B
- 1 BI-5554651 Main Seal, CSS160/220/300/ 340/350/360
- 2 N/A Secondary Filter Form, CSS100/B-500-1000/B
- 3 BI-5552327 Secondary Filter
- 4 N/A Screw, bulkhead to lower housing
- 5 BI-5554640 Nut, front caster, CSS100/B
- 5 N/A Push Nut, front wheel axle, CSS160/220/300/ 340/350/360
- 5 N/A Screw, front caster, CSS500-1000/B

- 6 N/A Lockwasher, front caster, CSS100/B
- 6 BI-5554561 Washer, front axle, CSS160/220/300/340/ 350/360
- 6 N/A Mounting Washer, front caster, CSS500-1000/B
- 7 N/A Bulkhead, w/ #1,8,10, CSS100/B
- 7 BI-5553159 Bulkhead, CSS300/340/350/360
- 7 N/A Bulkhead, CSS160/220
- 7 N/A Bulkhead, w/#1,8,10,50,51,52, CSS500-1000/B
- 8 N/A Switch Pedal, CSS100/B-500-1000/B

