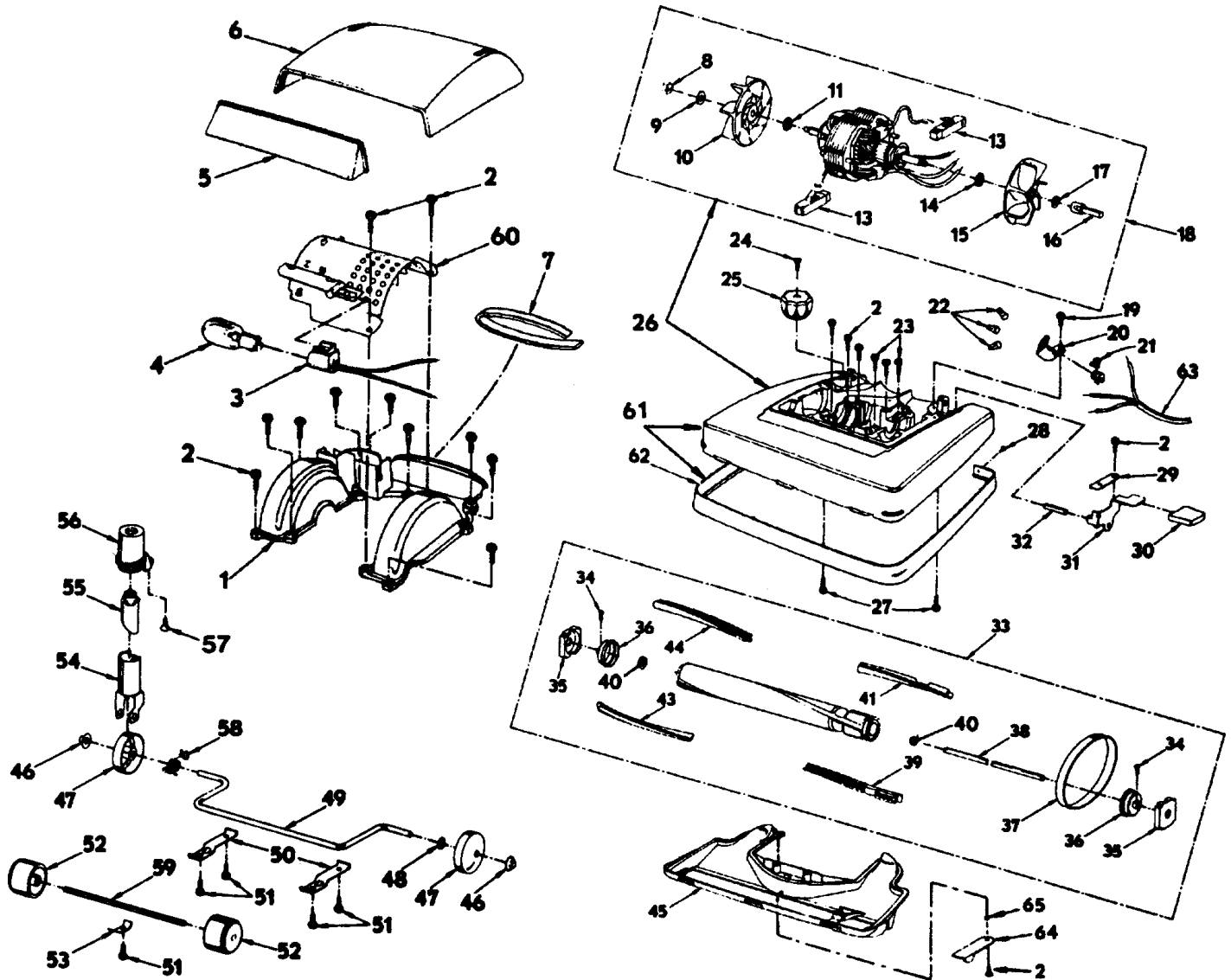


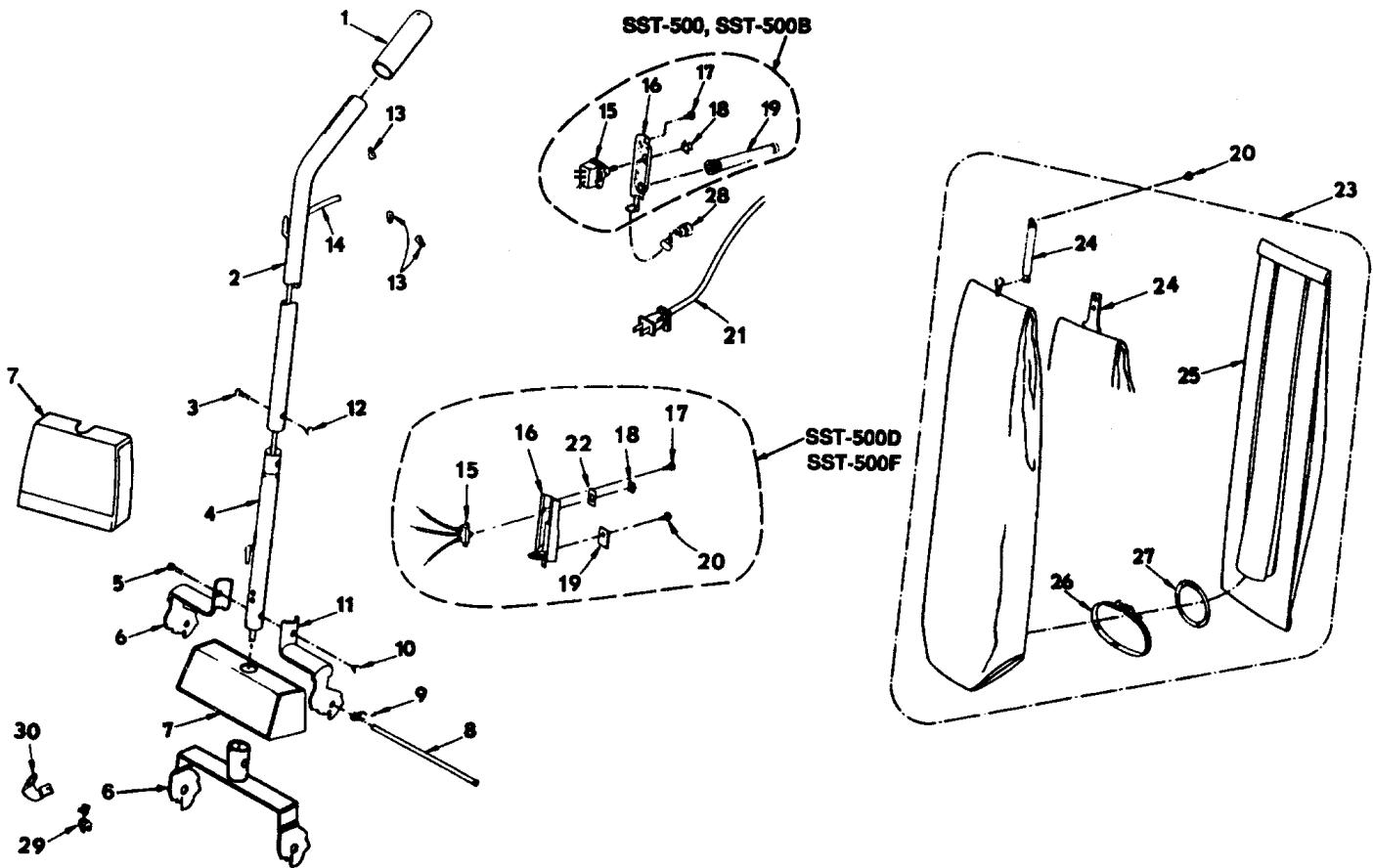
Models: SST-500 / SST-500B / SST-500D / SST-500F / SCS-500 / SCS-500A



Models: SST-500 / SST-500B / SST-500D / SST-500F / SCS-500 / SCS-500A

| | | | | | |
|----------|------------------|--|----------|------------------|---|
| 1 | BI-5550137 | Blower Cover, SCS500/A | 41 | BI-5550417 | Beater Bar, belt side w/ cut-out |
| 1 | BI-5550137 | Blower Cover, w/ gasket, SST500/B/D/F | 43 | BI-5550416 | Beater Bar, right side, solid |
| 2 | BI-8807203 | Screw, blower cover | 44 | BI-5550419 | Bristle Assy, right side, solid |
| 3 | BI-5554642 | Light Socket | 45 | BI-5550661 | Access Plate, w/ gasket |
| 4 | BI-7101400 | Light Bulb | 46 | BI-5554640 | Push Nut, rear wheel shaft |
| 5 | BI-7135511 | Lens | 47 | BI-5554645 | Wheel, rear |
| 6 | BI-5554613 | Top Cover Assy, w/ lens & screw, SST500/B/D/F | 48 | BI-5554561 | Washer, rear wheel shaft |
| 6 | BI-5554619 | Top Cover Assy, w/ lens & screw, SCS500/A | 49 | BI-7100121 | Axle, rear wheel |
| 7 | BI-5554691 | Gasket, bag assembly | 50 | BI-5550580 | Retaining Plate |
| 8 | BI-5550309 | Nut | 51 | BI-8807035 | Screw, retaining plate |
| 9 | BI-2809064 | Washer, fan | 52 | BI-5550343 | Wheel, front |
| 10 | BI-5551006 | Suction Fan Kit, right, w/ #9 &11 | 53 | BI-7106908 | Axle Retainer |
| 11 | N/A | Shoulder Washer, right, SST500/B/D/F | 54 | BI-7135712 | Wheel Bracket & Slide Assy |
| 11 | BI-5550823 | Shoulder Washer, right, SCS500/A | 55 | BI-7135713 | Intermediate Slide, SCS500/A-SST500/B |
| 13 | BI-5550749 | Carbon Brush Assy, SCS500/A | 55 | N/A | Intermediate Slide, SST500D/F |
| 13 | N/A | Carbon Brush Assy, SST500/B | 56 | BI-5550904 | Ratchet Lock, SCS500/A |
| 13 | N/A | Carbon Brush Assy, SST500D/F | 56 | BI-5550906 | Ratchet Lock, SST500/B |
| 14 | BI-8809063 | Shoulder Washer, left | 56 | N/A | Ratchet Lock, SST500D/F |
| 15 | BI-5551005 | Suction Fan Kit, w/ #14 &17 | 57 | N/A | Screw, ratchet lock, SST500/B |
| 16 | BI-5550436 | Motor Pulley | 57 | BI-8807035 | Screw, ratchet lock, SCS500/A-SST500D/F |
| 17 | BI-2809062 | Washer, fan, left | 58 | BI-7108435 | Torsion Spring, rear wheel shaft |
| 18 | BI-5552790 | Motor Assy, complete, SCS500-SST500D/F | 59 | N/A | Axle, front wheel |
| 18 | N/A | Motor Assy, complete, SCS500A | 60 | BI-5551891 | Motor Cover, w/ light bracket & socket |
| 18 | N/A | Motor Assy, complete, SST500/B | 61 | N/A | Chassis, w/ bumper, SCS500/A |
| 19 | BI-8807203 | Screw, strain relief | 61 | BI-5551554 | Chassis, w/ bumper, SST500/B/D/F |
| 20 | N/A | Bracket, strain relief | 62 | BI-5550426 | Bumper, SCS500/A |
| 21 | BI-7101200 | Strain Relief, SCS500/A-SST500/B | 62 | N/A | Bumper, SST500/B/D/F |
| 21 | N/A | Strain Relief, SST500D/F | 63 | N/A | 3 Conductor Cord, SCS500/A |
| 22 | BI-7102650 | Wire Nut | 63 | N/A | 3 Conductor Cord, SST500/B/D/F |
| 23 | BI-5551382 | Screw, carbon brush | 64 | N/A | Access Plate Latch |
| 24 | BI-5550900 | Screw, height adj knob | 65 | BI-5550172 | Spacer, access plate latch |
| 25 | N/A | Ht Adj Knob, SCS500/A | 66 | BI-5553170 | Screw, field, SCS500/A |
| 25 | N/A | Ht Adj Knob, SST500/B | | | |
| 25 | N/A | Ht Adj Knob, SST500D/F | | | |
| 26 | N/A | Chassis, w/ motor assy, SCS500 | | | |
| 26 | BI-5552761 | Chassis, w/ motor assy, SCS500A26 | | | |
| | BI-5552740 | Chassis, w/ motor assy, includes #1,2,7,18, 60,61, SST500/B/D/F | | | |
| 27 | BI-5550008 | Screw, top cover | | | |
| 28 | BI-8806140 | Rivet, bumper | | | |
| 29 | BI-7106904 | Pedal Shaft Retainer | | | |
| 30 | BI-7130800 | Pedal Boot, SCS500/A | | | |
| 30 | BI-5550409 | Pedal Boot, SST500/B/D/F | | | |
| 31 | BI-5550762 | Pedal, handle release | | | |
| 32 | BI-7100122 | Pedal Shaft | | | |
| 33 | BI-5550489 | Floor Brush Assy | | | |
| 34 | N/A | Screw, floor brush cup, SCS500/A | | | |
| 34 | N/A | Screw, floor brush cup, SST500/B/D/F | | | |
| 35 | BI-5550394 | End Cap, floor brush | | | |
| 36 | N/A | Cup, floor brush | | | |
| 37 | BI-32026 | Belt, pkg of 2, SDB-2 | | | |
| 38 | N/A | Shaft, floor brush | | | |
| 39 | N/A | Bristle Assy, belt side, w/ cut-out | | | |
| 40 | BI-5554564 | Washer, floor brush shaft | | | |

Models: SST-500 / SST-500B / SST-500D / SST-500F / SCS-500 / SCS-500A



- 1 N/A Handle Grip, SST500/B/D/F
- 1 N/A Handle Grip, SCS500/A
- 2 N/A Upper Handle Tube, SST500/B
- 2 BI-5550336 Upper Handle Tube, SST500D/F
- 2 N/A Upper Handle Tube, SCS500/A-SST500B
- 3 BI-5550065 Screw, handle, SCS500/A-SST500B
- 3 N/A Screw, handle, SST500D/F
- 4 BI-5552202 Lower Handle Tube, SCS500/A
- 4 BI-5552200 Lower Handle Tube, SST500/B/D
- 4 N/A Lower Handle Tube, SST500F
- 5 BI-5550065 Screw, lower handle, SCS500/A
- 5 BI-8807218 Screw, lower handle, SST500/B
- 5 N/A Screw, lower handle, SST500D
- 6 BI-5553120 Handle Support, left, SST500/B
- 6 BI-5553120 Handle Support, left, SST500D
- 6 BI-5553120 Yoke Assy, SST500F
- 6 BI-7103210 Yoke Assy, SCS500/A
- 7 BI-5552675 Handle Support Cover, large, SCS500/A
- 7 BI-5551018 Handle Support Cover, SST500/B
- 7 N/A Handle Support Cover, SST500D/F
- 8 BI-7100123 Trunnion Arm Shaft
- 9 BI-7108436 Spring, handle release
- 10 BI-5552724 T Nut, lower handle, SCS500/A
- 10 BI-5551601 T Nut Capped, SST500/B
- 10 BI-8805042 Hex Nut, SST500D
- 11 BI-5552485 Handle Support, right, SST500/B
- 11 BI-5552485 Handle Support, right, SST500D
- 12 BI-5552724 T Nut, upper handle
- 13 BI-7102650 Wire Nut
- 14 N/A 3 Conductor Cord, SCS500/A
- 14 N/A 3 Conductor Cord, SST500/B/D/F
- 15 BI-5552403 Switch, SCS500/A-SST500D/F

- 15 N/A Switch, SST500/B
- 16 N/A Switch Plate, SCS500/A
- 16 N/A Switch Plate, SST500/B
- 16 N/A Switch Plate, w/ label, SST500D/F
- 17 N/A Screw, switch plate
- 18 BI-7135112 Switch Button Cap, SCS500/A-SST500D/F
- 18 N/A Switch Nut, SST500/B
- 19 BI-7101200 Cord Protector, SST500/B
- 19 N/A Bag Strap Cover, SST500D/F
- 20 BI-5550493 Bag Tension Screw, SCS500/A-SST500/B
- 20 BI-5551181 Bag Tension Screw, SST500D/F
- 21 BI-5552640 Power Cord, SCS500/A
- 21 N/A Cord, complete, SST500/B
- 21 N/A Cord, complete, SST500D/F
- 22 BI-5552406 Label, switch, SCS500/A
- 22 BI-5552407 Label, switch, SST500D/F
- 23 N/A Dust Bag Assy, complete, SCS500/A
- 23 BI-5550210 Dust Bag Assy, complete, SST500/B
- 23 N/A Dust Bag Assy, complete, SST500D/F
- 24 BI-5550194 Bag Tension Spring, SCS500/A-SST500/B
- 24 BI-5552700 Bag Strap, SST500D/F
- 25 BI-32025 Paper Bag, 3 per pkg, SUB-1
- 26 BI-5550410 Dust Bag Strap Assy
- 27 BI-5554606 Garter Spring
- 28 BI-5550020 Strain Relief, SCS500/A
- 28 BI-5550150 Strain Relief, SST500/B
- 28 N/A Strain Relief, SST500D/F
- 29 BI-7101200 Strain Relief, SST500/B/D/F
- 30 N/A Bracket, SST500/B/D/F

ITEMS NOT ILLUSTRATED

- BI-8807203 Screw, handle support cover, SCS500/A