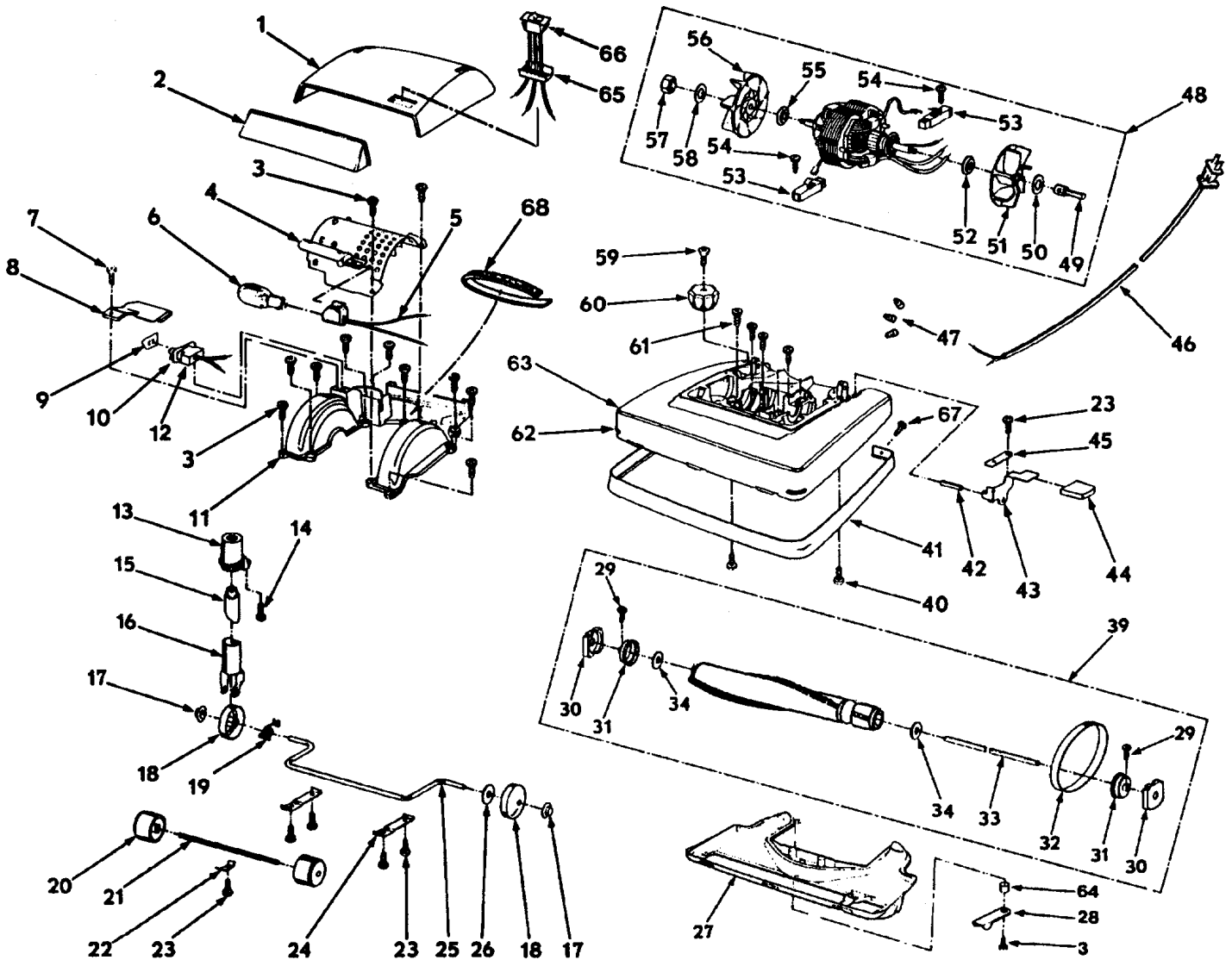


Model: SST-400A / SST-450D / SST-460 / SST-700 / SST-710



Model: SST-400A / SST-450D / SST-460 / SST-700 / SST-710

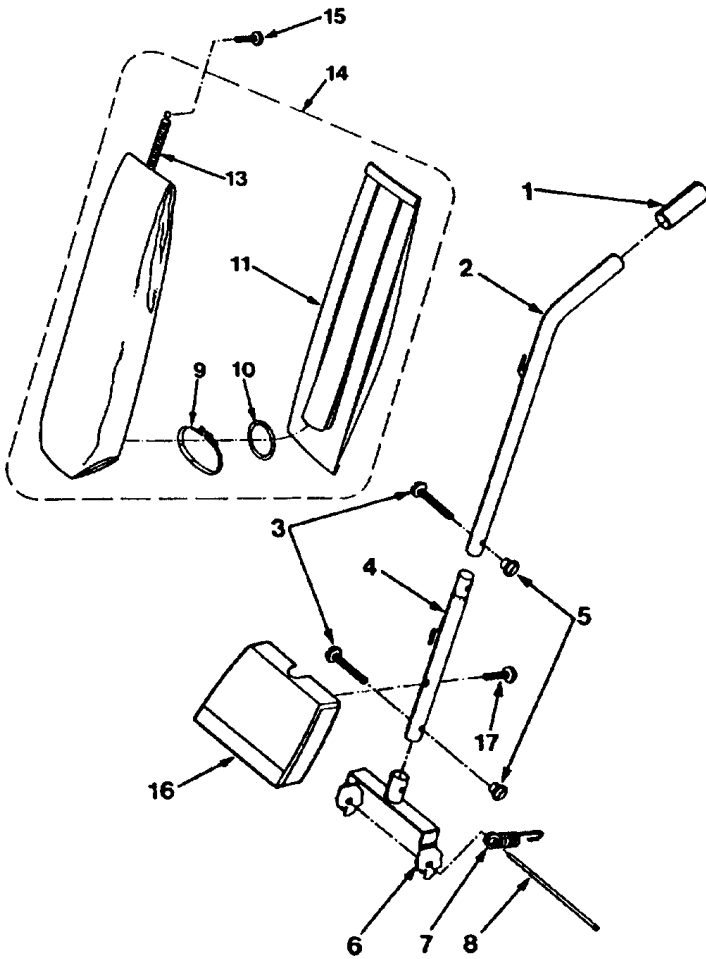
1	BI-5554620	Top Cover, SST450D	46	BI-5552644	Power Cord, SST460-710
1	N/A	Top Cover, SST400A	47	BI-7102650	Wiring Nut
1	BI-5554632	Top Cover, SST460	48	N/A	Motor Assy, complete
1	N/A	Top Cover, SST700	48	N/A	Motor Assy, SST460-710
1	BI-5554631	Top Cover, SST710	49	BI-5550436	Motor Pulley Shaft
2	BI-7135511	Lens	50	BI-2809062	Fan Washer, left
3	BI-8807203	Screw	51	BI-5551005	Suction Fan Kit, left, w/ #50,52
4	BI-5551891	Motor Cover, w/ light bracket	52	N/A	Shoulder Washer, left
5	BI-5554642	Light Socket	52	BI-8809063	Shoulder Washer, left, SST460-710
6	BI-7101400	Light Bulb	53	BI-5550749	Carbon Brush Assy, pack of 2
7	BI-N/A	Wire Cover Screw	54	BI-5551382	Screw, carbon brush
8	BI-5550809	Wiring Cover	55	N/A	Shoulder Washer, right
9	BI-5550796	Mylar Dust Shield	55	BI-5550823	Shoulder Washer, right, SST460-710
10	N/A	Rubber Dust Shield	56	BI-5551006	Suction Fan Kit, right, w/ #55,58
11	BI-5550136	Blower Cover, SST450D	57	BI-5550309	Hex Nut
11	BI-5550138	Blower Cover, SST460	58	BI-2809064	Fan Washer, right
11	BI-5550137	Blower Cover, SST400A-700-710	59	BI-5550900	Flat Head Screw
12	BI-5550455	Switch	59	BI-5550900	Flat Head Screw, SST460-710
13	BI-5550906	Ratchet Lock, SST400A-450D	60	N/A	Height Adj Knob, SST400A-450D
13	BI-5550910	Ratchet Lock, SST700	60	N/A	Height Adj Knob, SST460
13	N/A	Ratchet Lock, SST460-710	60	N/A	Height Adj Knob, SST710
14	BI-8807035	Screw	60	N/A	Height Adj Knob, SST700
15	BI-7135713	Lock Cup Slide	61	BI-8807203	Field Screw, SST400A-700-710
16	BI-7135712	Wheel Bracket, w/ slide	61	BI-5553170	Field Screw, SST450D-460
17	BI-5554640	Push Nut	62	N/A	Chassis, w/ bumper, SST400A
18	BI-5554645	Rear Wheel	62	BI-5551576	Chassis, w/ bumper, SST700
19	BI-7108435	Torsion Spring	62	N/A	Chassis, w/ bumper, SST450D
20	BI-5550343	Front Wheel	62	N/A	Chassis, w/ bumper, SST460
21	N/A	Front Axle	62	N/A	Chassis, w/ bumper, SST710
22	BI-7106908	Axle Retainer	63	N/A	Chassis, complete w/ motor module, SST400A
23	BI-8807035	Retainer Screws	63	N/A	Chassis, complete w/ motor module, SST700
24	BI-5550580	Rear Axle Retainer	63	N/A	Chassis, complete w/ motor module, SST450D
25	BI-7100121	Rear Axle	63	BI-5552784	Chassis, complete w/ motor module, SST460
26	BI-5554561	Washer	63	BI-5552781	Chassis, complete w/ motor module, SST710
27	BI-5550661	Access Plate	64	BI-5550172	Spacer
28	N/A	Access Plate Latch	65	BI-5553615	Switch Bracket
29	N/A	Screw	66	BI-5550831	Hi/Lo Switch
29	BI-5553979	Screw, SST460-710	67	BI-8806140	Rivet
30	BI-5550394	End Cap	68	BI-5554691	Bag Gasket, SST700
31	N/A	Cup, SST400A,450D			
31	N/A	Cup, SST460-700-710			
32	BI-32026	Belt, pkg of 2, SDB-2			
33	SI-644539002	Floor Brush Shaft, w/ screw holes			
34	BI-5554564	Washer			
39	BI-5550489	Floor Brush, complete			
40	BI-5550008	Top Cover Screw			
41	N/A	Bumper, SST400A-450D			
41	N/A	Bumper, SST700			
41	N/A	Bumper, SST460-710			
42	BI-7100122	Pedal Shaft			
43	BI-5550762	Handle Release Pedal			
44	BI-5550409	Pedal Boot			
44	N/A	Pedal Boot, SST460-710			
45	BI-7106904	Retainer			
46	N/A	Power Cord			

#### ITEMS NOT ILLUSTRATED

N/A	Motor Cover, w/ light bracket, 460-710
BI-5551840	Light Socket, SST460-710
BI-5559069	Light Bulb, SST460-710
N/A	Floor Brush, w/ bristle strip/beater bar

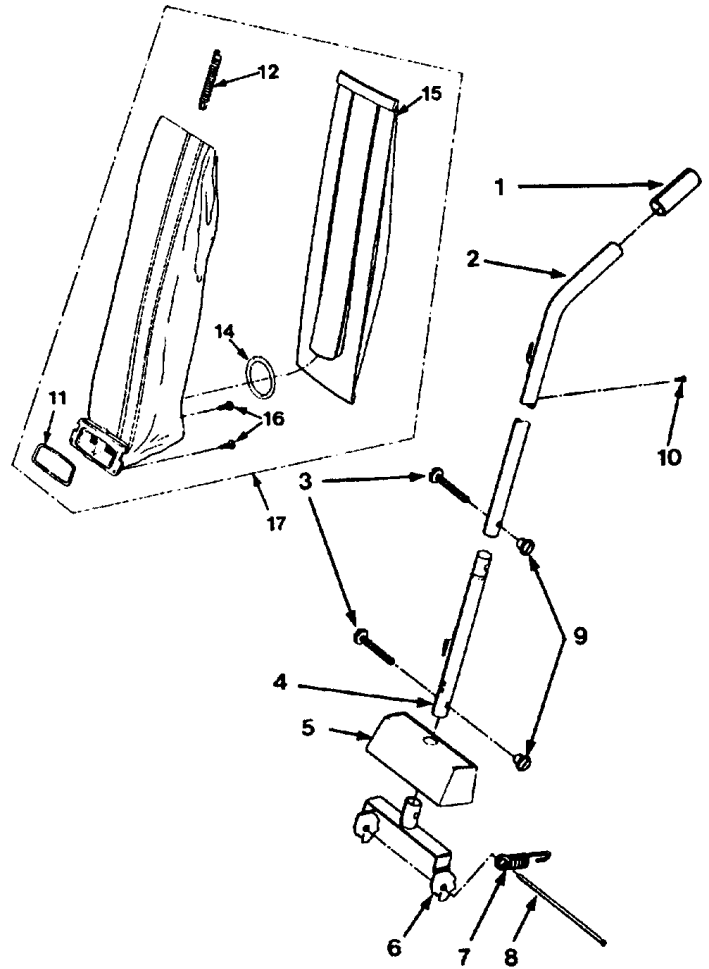
Models: SST-400A / SST-450D / SST-460 / SST-700 / SST-710

MODELS: SST-400A / SST-700 / SST-710



- 1 ..... N/A ..... Handle Grip, SST400A
- 1 ..... N/A ..... Handle Grip, SST700
- 1 ..... BI-55500818 ..... Handle Grip, SST710
- 2 ..... N/A ..... Upper Handle, SST400A
- 2 ..... N/A ..... Upper Handle, SST700
- 2 ..... N/A ..... Upper Handle, SST710
- 3 ..... BI-5550065 ..... Handle Bolt
- 4 ..... BI-5550780 ..... Lower Handle Tube, SST400A
- 4 ..... N/A ..... Lower Handle Tube, SST700
- 4 ..... N/A ..... Lower Handle Tube, SST710
- 5 ..... BI-5552724 ..... T Nut
- 6 ..... BI-5553120 ..... Handle Yoke
- 6 ..... N/A ..... Handle Yoke, SST710
- 7 ..... BI-7108436 ..... Pedal Tension Spring
- 8 ..... BI-7100123 ..... Trunnion Arm Shaft
- 9 ..... BI-5550410 ..... Dust Bag Strap
- 10 ..... BI-5554606 ..... Garter Spring
- 11 ..... BI-32025 ..... Paper Dust Bag, 3 pack, SUB-1
- 13 ..... BI-5550194 ..... Bag Tension Spring
- 13 ..... BI-5550194 ..... Bag Tension Spring, SST710
- 12 ..... BI-5550195 ..... Wood Dowel
- 14 ..... BI-5550229 ..... Dust Bag Assy, complete
- 14 ..... BI-5550245 ..... Dust Bag Assy, SST710
- 15 ..... BI-5550493 ..... Bag Spring Screw, SST400A
- 16 ..... BI-5552677 ..... Handle Support Cover, SST400A
- 16 ..... N/A ..... Handle Support Cover, SST700
- 16 ..... BI-5552682 ..... Handle Support Cover, SST710
- 17 ..... BI-8807203 ..... Screw

MODEL: SST-450D / SST-460



- 1 ..... N/A ..... Handle Grip
- 1 ..... BI-5550818 ..... Handle Grip, SST460
- 2 ..... N/A ..... Upper Handle
- 2 ..... BI-55508007 ..... Upper Handle, SST460
- 3 ..... BI-5550065 ..... Handle Bolt
- 3 ..... BI-5550065 ..... Handle Bolt, SST460
- 4 ..... N/A ..... Lower Handle Tube
- 4 ..... N/A ..... Lower Handle Tube, SST460
- 5 ..... N/A ..... Handle Support Cover
- 5 ..... N/A ..... Handle Support Cover, SST460
- 6 ..... BI-5553120 ..... Handle Yoke
- 6 ..... N/A ..... Handle Yoke, SST460
- 7 ..... BI-7108436 ..... Pedal Tension Spring
- 8 ..... BI-7100123 ..... Trunnion Arm Shaft
- 9 ..... BI-5552724 ..... T Nut
- 10 ..... BI-5550493 ..... Bag Spring Screw
- 10 ..... BI-5551275 ..... Bag Spring Screw, SST460
- 11 ..... BI-5551275 ..... Gasket
- 12 ..... BI-5550194 ..... Bag Tension Spring
- 12 ..... BI-5550194 ..... Bag Tension Spring, SST460
- 14 ..... BI-5554606 ..... Garter Spring
- 15 ..... BI-32025 ..... Paper Dust Bag, 3 pack, SUB-1
- 16 ..... BI-8807035 ..... Screw
- 17 ..... BI-5550219 ..... Dust Bag Assy, complete
- 17 ..... BI-5550236 ..... Dust Bag Assy, SST460