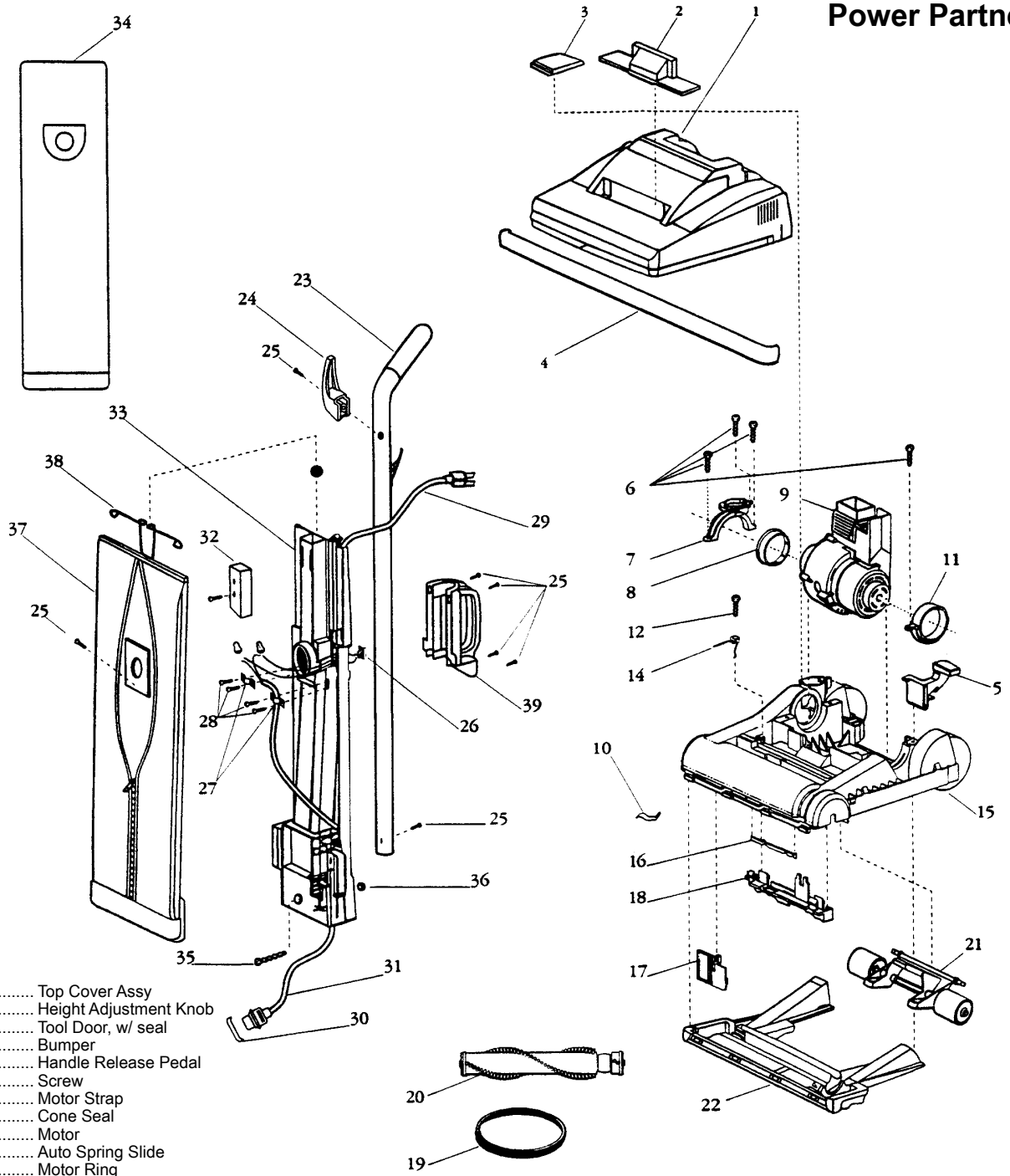


Model: 3510W

Power Partner



- 1.....BI-7142988..... Top Cover Assy
- 2.....BI-7135101..... Height Adjustment Knob
- 3.....BI-7143005..... Tool Door, w/ seal
- 4.....BI-3130306..... Bumper
- 5.....BI-5559196..... Handle Release Pedal
- 6.....BI-8807209..... Screw
- 7.....BI-3131115..... Motor Strap
- 8.....BI-7137705..... Cone Seal
- 9.....BI-0145950..... Motor
- 10.....BI-7108411..... Auto Spring Slide
- 11.....BI-5559192..... Motor Ring
- 12.....N/A..... Height Adjustment Slide
- 14.....BI-2108421..... Internal Slide Spring
- 15.....BI-7140407..... Chassis, w/ rear wheels
- 16.....N/A..... Height Adjustment Rack
- 17.....N/A..... Internal Slide
- 18.....N/A..... Height Adjustment Slide
- 19.....BI-2100600..... Belt
- 20.....BI-2101009..... Floor Brush
- 21.....NLA..... Front Wheel Assembly
- 22.....BI-5559266..... Access Plate
- 23.....BI-7104420..... Metal Handle, w/ #24
- 24.....BI-3135506..... Cord Latch
- 25.....BI-8807002..... Screw
- 26.....BI-5559125..... Switch

- 27.....BI-7132420..... Cord Clamp
- 28.....BI-8807206..... Screw, cord clamp
- 29.....BI-2142837..... Power Cord
- 30.....BI-7108432..... Plug Mount Spring
- 31.....BI-7102813..... Harness
- 32.....BI-7132965..... Switch Cover
- 33.....BI-2149419..... Dirt Tube
- 34.....BI-2100204..... Paper Bag
- 35.....BI-2807210..... Bolt
- 36.....BI-2805040..... Nut
- 37.....BI-7100218..... Dust Bag Assy
- 38.....N/A..... Bag Clip
- NLA.....Fan Kit