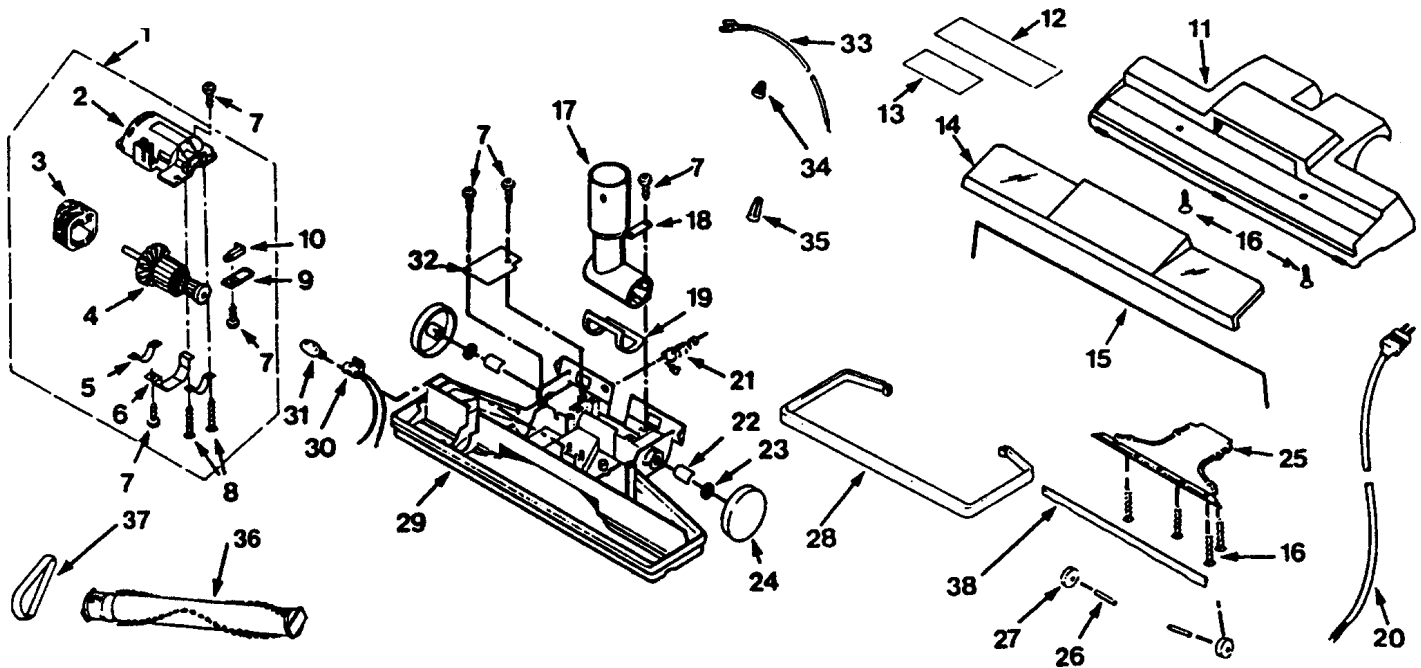


Model: CSS-340 / CSS-350 / CSS-360 / DLC-300 / DLC300APK
 DLC-400 / SL-700 / SL-800 / SL-1000

Power Nozzles



- | | | | | | |
|----|--------------|---|----|------------|--|
| 1 | N/A | Motor, complete, CSS350/360-DLC400/300APK | 21 | BI-5553623 | Strain Relief |
| 1 | N/A | Motor, complete, CSS340-DLC300-SL700/800/1000 | 22 | BI-5553963 | Wheel Bushing, SL800/1000 |
| 2 | BI-5552975 | Motor Housing | 23 | BI-5553535 | Felt Washer, wheel |
| 3 | N/A | Field, CSS350/360-DLC400/300APK | 24 | BI-5552988 | Rear Wheel, CSS340/350/360-DLC300/APK-400 |
| 3 | N/A | Field, CSS340-DLC300-SL700/800/1000 | 24 | BI-5552990 | Rear Wheel, SL700/800/1000 |
| 4 | N/A | Armature | 25 | N/A | Volute Cover, CSS340/350/360-DLC300/APK-400 |
| 4 | N/A | Armature, SL700 | 25 | BI-5553561 | Volute Cover, SL800/1000 |
| 5 | BI-5551740 | Bearing Strap | 26 | BI-5553754 | Shaft, front wheel, SL800/1000 |
| 6 | BI-5553016 | Field Strap | 27 | BI-5553577 | Front Wheel, CSS340/350/360 |
| 7 | BI-8807019 | Screw | 27 | N/A | Front Wheel, DLC300/APK-400 |
| 8 | BI-5551861 | Screw | 27 | N/A | Front Wheel, SL700 |
| 9 | BI-7106906 | Clamp | 28 | BI-5552996 | Bumper, CSS340/350/360-DLC300/APK-400 |
| 10 | N/A | Carbon Brush Assy, pkg of 2 | 28 | BI-5552998 | Bumper, SL700/800/1000 |
| 11 | N/A | Top Cover, CSS340/350/360 | 29 | BI-5552973 | Chassis, CSS340/350/360 |
| 11 | N/A | Top Cover, DLC300/APK-400 | 29 | BI-5552969 | Chassis, DLC300/APK-400 |
| 11 | BI-5553737 | Top Cover, SL700/800/1000 | 29 | N/A | Chassis, SL700/800/1000 |
| 12 | SI-661161001 | Reflector, under top cover, CSS340/350/360-DLC300/APK-400 | 30 | BI-5551841 | Socket, w/ long leads, CSS350/360-DLC400/300APK |
| 12 | BI-5553786 | Reflector, SL700/800/1000 | 30 | BI-5554643 | Socket, SL700/800/1000 |
| 13 | BI-5553785 | Reflector, SL700/800/1000 | 31 | N/A | Bulb, CSS350/360-DLC400/300APK |
| 14 | SI-660686004 | Lens, CSS350/360 | 31 | BI-7101400 | Bulb, SL700/800/1000 |
| 14 | N/A | Lens, CSS340 | 32 | BI-5553585 | Wire Cover |
| 14 | SI-660686006 | Lens, DLC400-300APK | 33 | BI-5553807 | Lead, white, SL700/800/1000 |
| 14 | SI-660686007 | Lens, DLC300 | 34 | BI-5550051 | Wire Nut, yellow, CSS340/350/360-DLC300/APK-400-SL1000 |
| 14 | BI-5554978 | Lens, SL700/800/1000 | 35 | BI-7102650 | Wire Nut, black |
| 15 | BI-5553568 | Foam Seal, CSS340/350/360-DLC300/APK-400 | 36 | BI-5553015 | Agitator, CSS340/350/360-DLC300/APK-400 |
| 15 | BI-5553801 | Foam Seal, SL800/1000 | 36 | BI-5553966 | Agitator, SL800/1000 |
| 16 | BI-5550900 | Screw, lens | 36 | BI-5553966 | Agitator, SL700 |
| 17 | BI-5553504 | Swivel, CSS340/350/360 | 37 | N/A | Belt, pkg of 2, SMB-4 |
| 17 | BI-5553504 | Swivel, DLC300/APK-400 | 38 | BI-5553582 | Wiper Blade, CSS340/350/360-DLC300/APK-400 |
| 17 | BI-5553504 | Swivel, SL700/800/1000 | 38 | BI-5553583 | Wiper Blade, SL700/800/1000 |
| 18 | BI-5553564 | Swivel Strap | | BI-5551840 | Socket, w/ short leads, CSS350/360-DLC400/300APK |
| 19 | BI-5553565 | Swivel Seal | | N/A | Bulb, CSS350/360-DLC400/300APK |
| 20 | N/A | Power Cord, CSS340/350/360 | | | |
| 20 | N/A | Power Cord, DLC300/APK-400 | | | |
| 20 | N/A | Power Cord, SL1000 | | | |
| 20 | N/A | Power Cord, SL700 | | | |
| 20 | BI-5553328 | Power Cord, SL800 | | | |