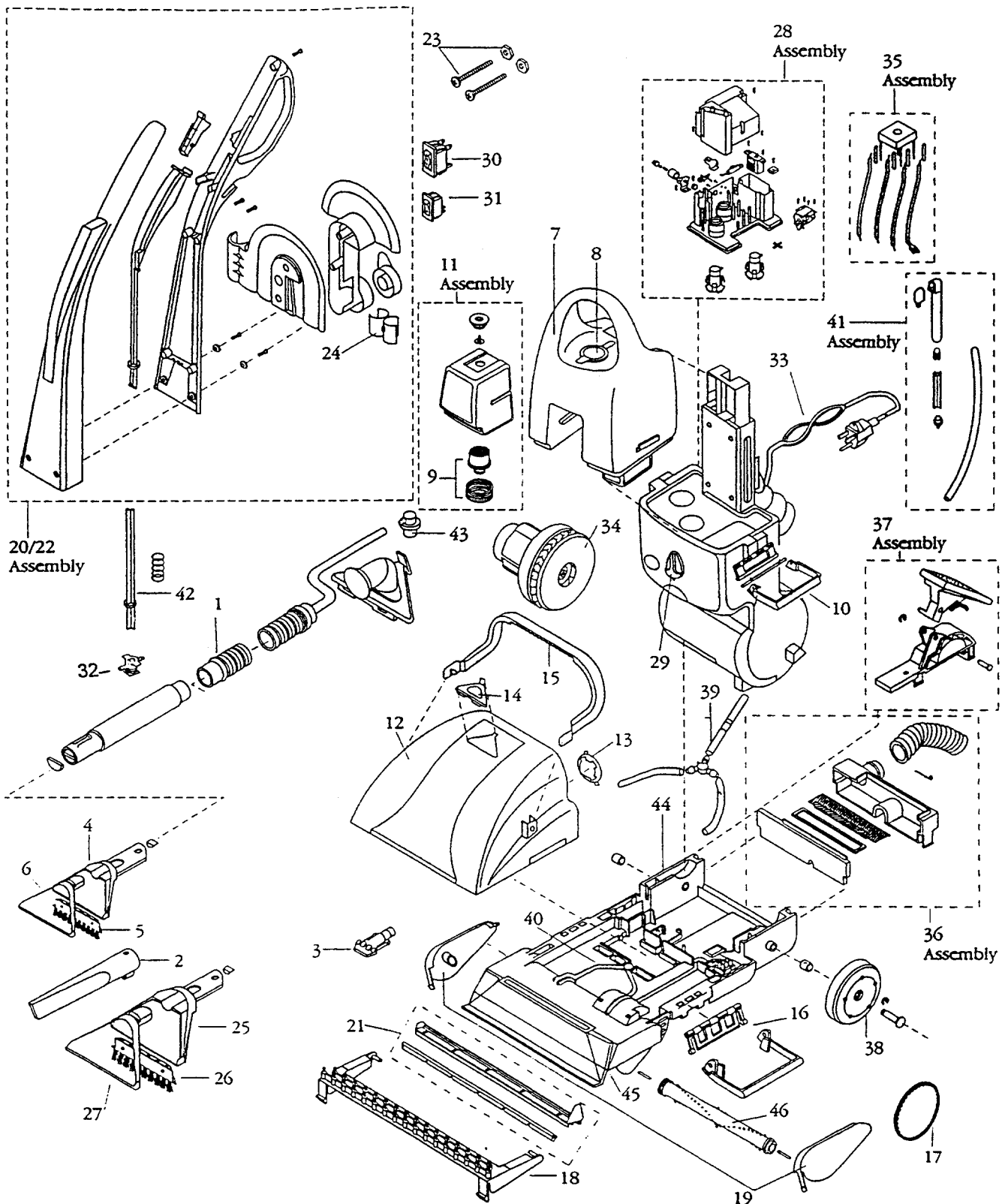


Model: 1690, 1695

POWERSTEAMER



POWERSTEAMER

- | | |
|--|---|
| 1 N/A Upholstery Attachment Assembly, w/ 4" tool,
w/o tool clip | 27 NLA Window, upholstery / carpet tool, 6" |
| 2 BI-2109148 Crevice Tool | 28 NLA Pump Assembly |
| 3 BI-2036110 Spray Tips | 29 BI-2135185 Knob, smart mix |
| 4 BI-2109213 Upholstery Assembly, 4" | 30 N/A Switch, 3 position |
| 5 BI-2030966 Removable Brush, 4", red | 31 N/A Switch, 2 position |
| 6 NLA Upholstery Window, 4" | 32 BI-2038456 Valve Assembly |
| 7 NLA Clean Tank Assembly, w/ smart mix | 33 N/A Power Cord |
| 8 BI-2101645 Filler Cap | 34 N/A Motor Assembly |
| 9 N/A Cap & Insert Assembly | 35 BI-2037739 Diode & Wires Assembly, brush motor |
| 10 N/A Latch Assembly, clean tank, single | 36 N/A Air Box & Hose Assembly |
| 11 NLA Smart Mix Formula Tank Assembly | 37 NLA Detent Lever Assembly |
| 12 NLA Dirty Tank Assembly | 38 BI-6039750 Wheel Assembly, w/ clip & axle |
| 13 N/A Drain Cap | 39 NLA Drain Tube |
| 14 NLA Triangular Cap | 40 BI-6038470 Spray Tips & Tube Assembly |
| 15 BI-0134431 Carrying Handle | 41 N/A Breather Valve Assembly |
| 16 BI-2035535 Latch Assembly, dirty tank, single | 42 BI-2137510 Push Rod, lower |
| 17 N/A Timing Belt | 43 NLA Solution Tube Connector |
| 18 BI-2101198 Brush Strip, 1690 | 44 NLA Base Assembly, w/ brush motor |
| 19 N/A Pivot Arm Assembly, 2 retainers w/ screws | 45 N/A Nozzle Assembly |
| 20 N/A Handle Assembly, w/o M5 screws,
indigo blue, w/nuts | 46 NLA Brush Roll, 1695 only |
| BI-2035000 Handle Repair Kit | |
| 21 NLA Bare Floor Attachment Assembly | |
| 22 BI-2034425 Handle Assembly, w/o M5 screws, green, w/nuts | |
| 23 BI-2037075 Bolts & Nuts, 2 sets in poly bag | |
| 24 N/A Hose Clip | |
| 25 NLA Upholstery / Carpet Tool, 6" | |
| 26 BI-6030911 Removable Brush, 6" | |

*Service Note: There has been a design change to the base unit of this model. If the date code of this machine reads J97232 or earlier, key 17, 19 and 46 cannot be replaced. The entire base assembly (key #44) must be replaced.