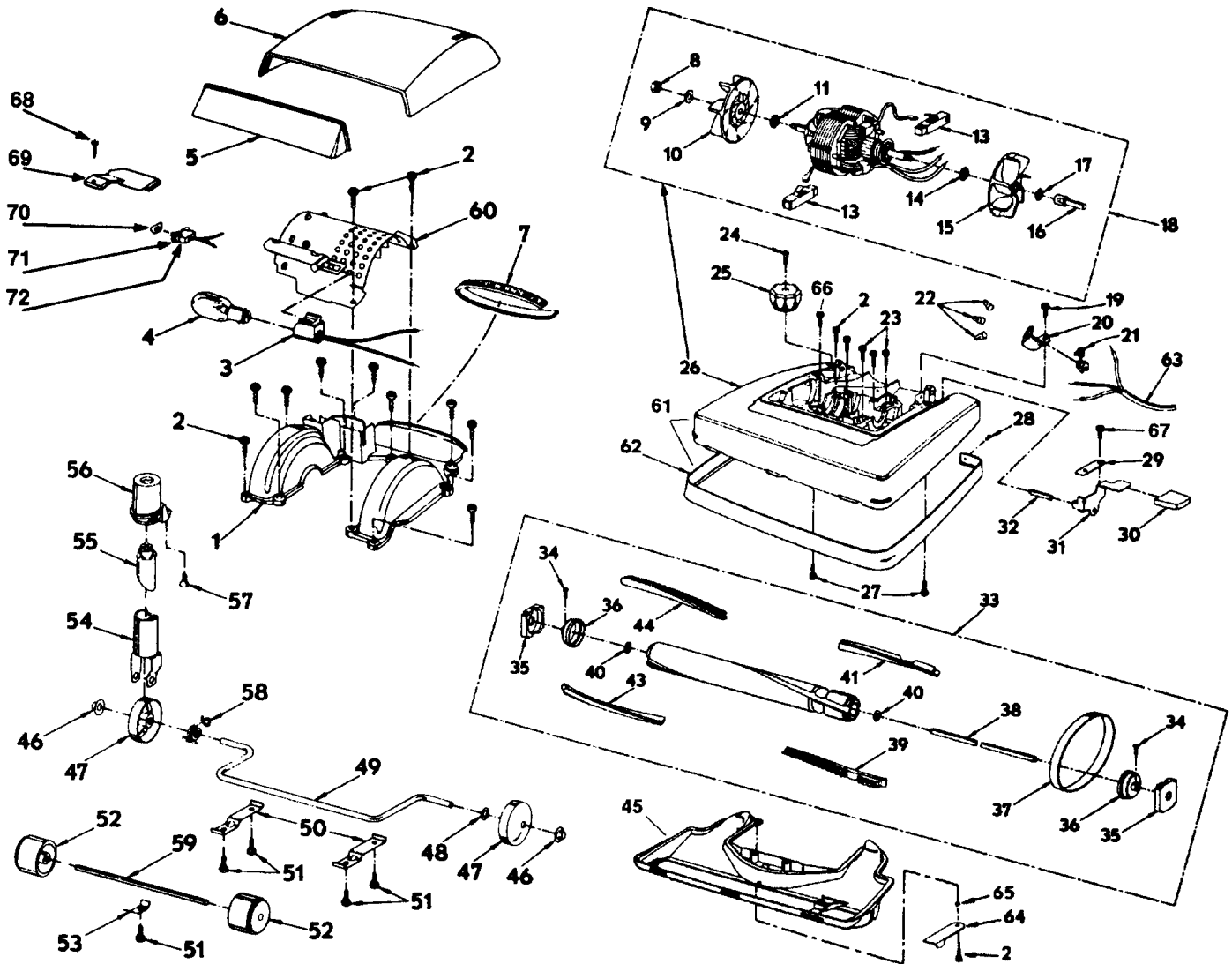


Model: SST-1000 / SST-1000B / SST-1000D / SST-850 / SST-850A / SST-850B / SST-850E / SST-860



- 1 N/A Blower Cover, w/ gasket, SST1000/B/D
- 1 BI-5550137 Blower Cover, SST850/A
- 1 BI-5550136 Blower Cover, SST850B/E
- 1 BI-5550138 Blower Cover, SST860
- 2 BI-8807203 Screw, blower cover
- 2 BI-5553170 Screw, blower cover, SST850B/E
- 3 BI-5554642 Socket
- 4 BI-7101400 Light Bulb
- 5 BI-7135511 Lens
- 6 BI-5554613 Top Cover, w/ lens, SST1000/B/D
- 6 N/A Top Cover, w/ lens, SST850/A
- 6 N/A Top Cover, w/ lens, SST850B/E
- 6 BI-5554633 Top Cover, w/ lens, SST860
- 7 BI-5554691 Gasket, bag assy, SST850/A-1000/B/D
- 8 BI-5550309 Nut
- 9 BI-2809064 Washer, fan, right
- 10 BI-5551006 Suction Fan Kit, right, w/ #9,11
- 11 N/A Shoulder Washer, right
- 11 BI-5550823 Shoulder Washer, right, SST860
- 13 BI-5550749 Carbon Brush Assy, SST850/A/B/E-SST860-1000D
- 13 N/A Carbon Brush Assy, SST1000/B

- 14 N/A Shoulder Washer, left
- 14 BI-8809063 Shoulder Washer, left, SST860
- 15 BI-5551005 Suction Fan Kit, w/ #14,17
- 16 BI-5550436 Pulley
- 17 BI-2509062 Washer, fan, left
- 18 BI-5552789 Motor Assy, SST850
- 18 BI-5552794 Motor Assy, SST850A/B/E
- 18 BI-5552790 Motor Assy, SST1000/B/D
- 18 N/A Motor Assy, SST860
- 19 BI-8807203 Screw, SST1000/B/D
- 20 N/A Strain Relief Bracket, SST1000/B/D
- 21 BI-7101200 Strain Relief, SST1000/B/D
- 22 BI-7102650 Wire Nuts
- 23 BI-5551382 Screw, carbon brush
- 24 BI-5550900 Screw, ht adj knob
- 24 BI-5550900 Screw, height adj knob, SST850B/E-860
- 25 BI-5550887 Height Adj Knob, SST850/A/B/E
- 25 N/A Height Adj Knob, SST1000/B/D
- 25 N/A Height Adj Knob, SST860
- 26 N/A Chassis, w/ motor assy, SST850
- 26 N/A Chassis, w/ motor assy, SST850A

Model: SST-1000 / SST-1000B / SST-1000D / SST-850 / SST-850A
SST-850B / SST-850E / SST-860

26 N/A Chassis, w/ motor assy, SST850B/E
26 BI-5552740 Chassis, w/ motor assy, SST1000/B/D
26 N/A Chassis, w/ motor assy, SST860
27 BI-5550008 Screw, top cover
28 BI-8806140 Rivet
29 BI-7106904 Retainer, pedal shaft
30 BI-5550409 Pedal Boot
30 N/A Pedal Boot, SST860
31 BI-5550762 Pedal, handle release
32 BI-7100122 Pedal Shaft
33 BI-5550489 Floor Brush Assy, complete SST850/A/B/E-860
33 BI-5550489 Floor Brush Assy, complete, SST1000/B/D
34 N/A Screw, cup, SST850/A
34 N/A Screw, cup, SST850B-1000/B/D
34 BI-5553979 Screw, cup, SST860
35 BI-5550394 End Cap
36 N/A Cup
36 N/A Cup, SST860
37 BI-32026 Belt, pkg of 2, SDB-2
38 N/A Shaft, floor brush
39 N/A Bristle Assy, belt side w/ cut out, SST1000/B/D
40 BI-5554564 Washer, floor brush
41 BI-5550417 Beater Bar, belt side w/ cut out, SST1000/B/D
43 BI-5550416 Beater Bar, right side, solid, SST1000/B/D
44 BI-5550419 Bristle Assy, right side, solid, SST1000/B/D
45 BI-5550661 Access Plate, w/ gasket
45 BI-5550663 Access Plate, w/ gasket, SST860
46 BI-5554640 Push Nut
47 BI-5554645 Rear Wheel
48 BI-5554561 Washer, axle
49 BI-7100121 Axle, rear
50 BI-5550580 Retainer, rear axle
51 BI-880735 Screw, retainer, rear axle
52 BI-5550343 Front Wheel
53 BI-7106908 Retainer, front axle
54 BI-7135712 Wheel Bracket & Slide Assy
55 BI-7135713 Intermediate Slide
56 BI-5550907 Ratchet Lock, SST850/A/B/E
56 BI-5550907 Ratchet Lock, SST1000/B/D
56 BI-5550914 Ratchet Lock, SST860
57 BI-8807035 Screw, ratchet, SST850/A/B/E-860
57 N/A Screw, ratchet, SST1000B
58 BI-7108435 Torsion Spring
59 N/A Axle, front wheel
60 BI-5551891 Motor Cover, w/ light bracket
60 N/A Motor Cover, w/ light brkt, 850E-860
61 N/A Chassis, w/ bumper, SST850/A

61 N/A Chassis, w/ bumper, SST850B/E
61 BI-5551554 Chassis, w/ bumper, SST1000/B/D
61 N/A Chassis, w/ bumper, SST860
62 N/A Bumper
62 N/A Bumper, SST860
63 N/A 3 Conductor Cord, SST1000/B/D
64 N/A Latch, access plate
65 BI-5550172 Spacer, access plate
66 BI-8807203 Screw, field, SST850/A-1000/B/D
66 BI-5553170 Screw, field, SST850B
67 BI-8807203 Screw, pedal
68 N/A Screw, wiring cover, SST850/A/B
69 BI-5550809 Wiring Cover, SST850/A/B
70 BI-5550796 Mylar Switch Cover, SST850/A/B
71 N/A Rubber Switch Cover, SST850/A/B
72 BI-5550455 Switch, SST850/A/B

ITEMS NOT ILLUSTRATED

BI-5559069 Light Bulb, SST850E/860
BI-5551840 Socket, SST850E/860
N/A Floor Brush, w/ bristle/beater bar

FIGURE A

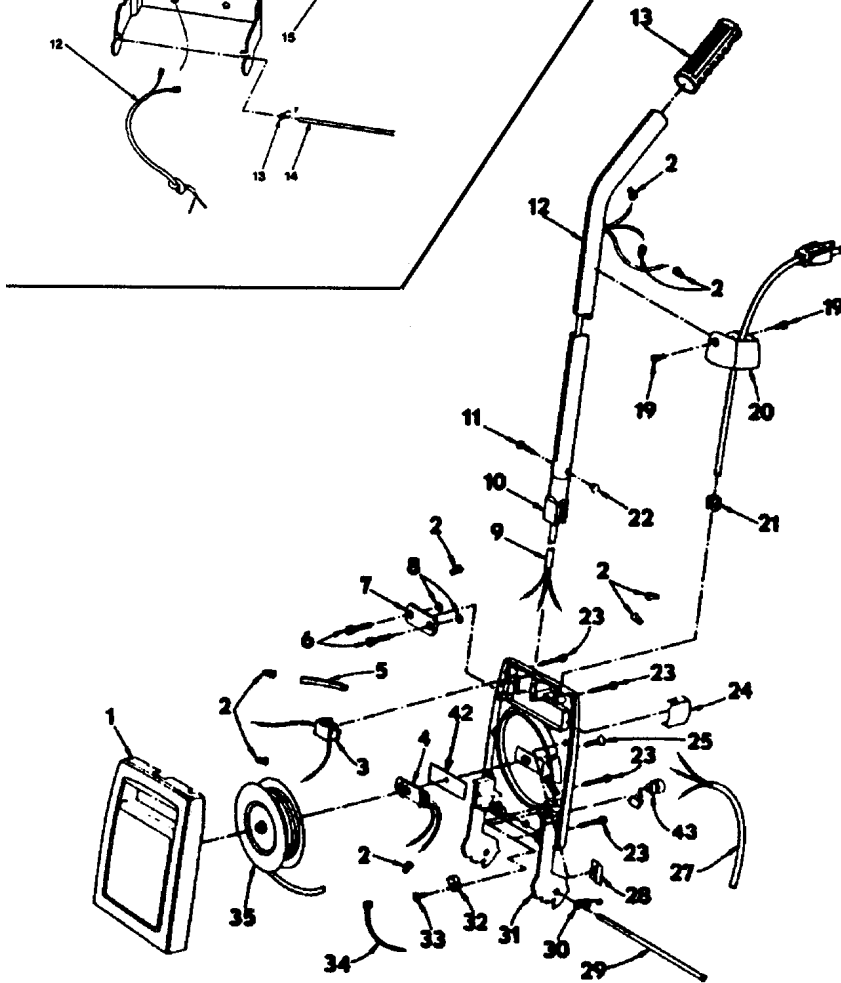
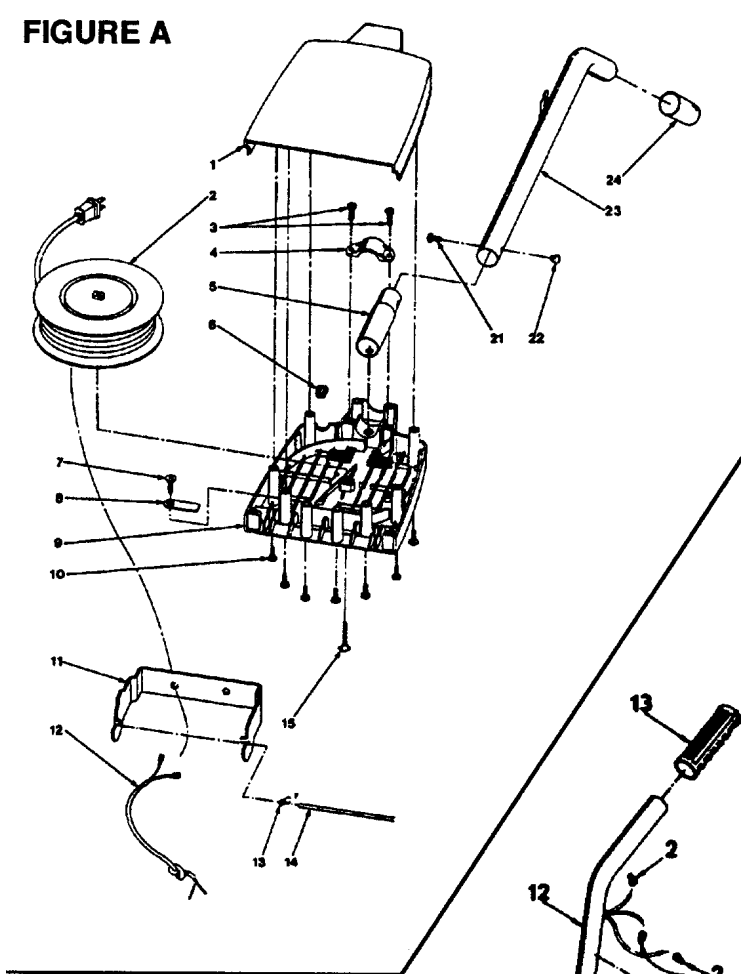


FIGURE C

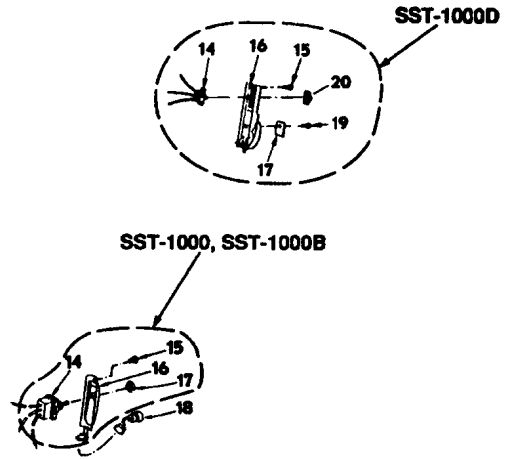


FIGURE B

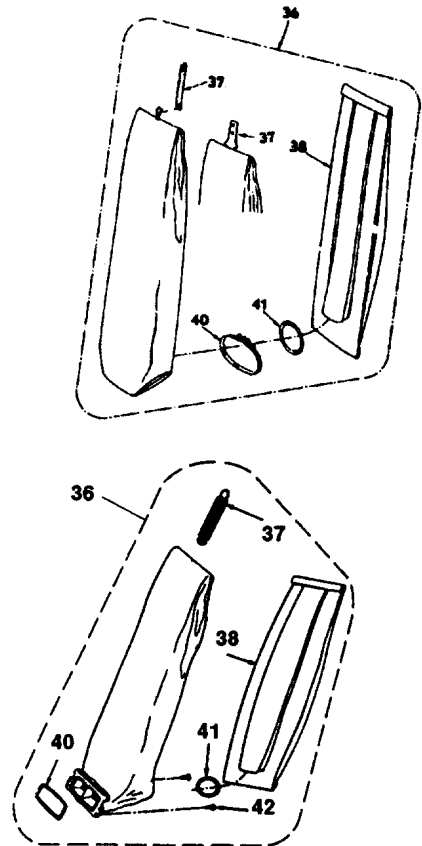


FIGURE A

1 N/A Cord Reel Cover, front, SST850/A/B/E
1 N/A Cord Reel Cover, front, SST860
2 BI-5552666 Cord Reel, complete, SST850/A/B/E
2 N/A Cord Reel, complete, SST860
3 N/A Screw, handle clamp, SST850/A/B
4 N/A Handle Clamp, SST850/A/B
5 BI-5553063 Handle Tube, lower, SST850/A/B/E
5 N/A Handle Tube, lower, SST860
6 BI-5550926 Bushing, SST850/A/B
7 BI-8807035 Screw, cord retainer, SST850/A/B
8 BI-7106904 Cord Retainer, SST850/A/B
9 N/A Cord Reel Cover, rear, SST850/A/B/E
9 N/A Cord Reel Cover, rear, SST860
10 N/A Screw, cord reel cover, SST850/A/B
11 N/A Yoke, SST850/A/B/E
11 N/A Yoke, SST860
12 N/A 2 Conductor Cord, w/ two terminals, SST850/A/B/E
12 N/A 2 Conductor Cord, w/ two terminals, SST860
13 BI-7108436 Spring, shaft, SST850/A/B
14 BI-7100123 Trunnion Arm Shaft, SST850/A/B
15 BI-5550563 Screw, cord reel, SST850/A/B
21 BI-5550060 Screw, handle, SST850/A
21 BI-5550065 Screw, handle, SST850B/E
21 BI-5550065 Screw, handle, SST860
22 BI-5551601 T Nut, SST850/A
22 BI-5552724 T Nut, SST850B/E-860
23 N/A Handle Tube, upper, w/ grip, SST850/A/B/E
23 N/A Handle Tube, upper, w/ grip, SST860
24 N/A Handle Grip, SST850/A/B/E
24 BI-5550818 Handle Grip, SST860

FIGURE B

36 BI-5550214 Dust Bag Assy, complete, SST850/A
36 BI-5550228 Dust Bag Assy, complete, SST850B/E
36 BI-5550236 Dust Bag Assy, complete, SST860
36 N/A Dust Bag Assy, complete, SST1000/B
36 N/A Dust Bag Assy, complete, SST1000D
37 BI-5550194 Bag Tension Spring, SST850/A/B/E
37 BI-5550194 Bag Tension Spring, SST860
37 BI-5551008 Bag Tension Spring, SST1000/B
37 BI-5552700 Bag Strap, SST1000D
38 BI-32025 Paper Bag, SUB-1, pkg of 3
40 BI-5550410 Dust Bag Strap Assy, SST850/A-1000/B/D
40 BI-5551275 Bag Gasket, SST850B/E-860
41 BI-5554606 Garter Spring
42 BI-8807035 Bag Screws, SST850B/E-860
 BI-5550195 Bag Dowel, SST860

FIGURE C

1 N/A Cord Reel Cover
2 BI-7102650 Wire Nut
3 N/A Thermal Protector, w/ insulation
4 BI-5552468 Contactor Assembly
5 N/A Sleeving
6 N/A Screw
7 N/A Handle Clamping Bracket
8 N/A Washer
9 BI-5552180 3 Conductor Cord, w/ sleeving
10 N/A Lower Handle
11 BI-5550065 Screw
12 BI-5550332 Handle Tube, SST1000/B
12 N/A Handle Tube, SST1000/D
13 N/A Handle Grip
14 N/A Switch, SST1000/B
14 BI-5552403 Switch, SST1000D
15 N/A Screw
16 N/A Switch Plate, SST1000/B
16 BI-5552690 Switch Plate, w/ label, SST1000D
17 N/A Switch Nut, SST1000/B
17 N/A Bag Strap Cover, SST1000D
18 BI-7101200 Strain Relief
19 BI-5550006 Screw, SST1000/B
19 BI-5551181 Screw, SST1000D
20 N/A Cord Release Assy, SST1000/B
20 BI-7135112 Switch Cap, SST1000D
21 BI-5550926 Bushing
22 BI-5552724 T Nut, formed
23 BI-5550003 Screw
24 N/A Wear Plate
25 N/A Screw
27 N/A 3 Conductor Cord
28 BI-5550199 Wire Retainer
29 BI-7100123 Trunnion Arm Shaft
30 BI-7108436 Tension Spring
31 N/A Handle Support Assembly
32 N/A Wire Clamp
33 BI-5550493 Screw
34 N/A Ty-Rap
35 N/A Cord Reel Assembly
42 N/A Insulator
43 BI-5554607 Strain Relief