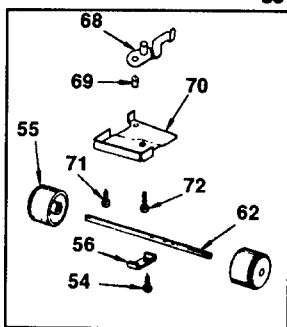
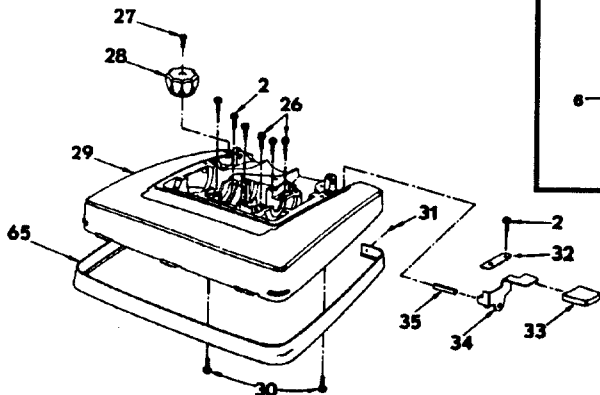
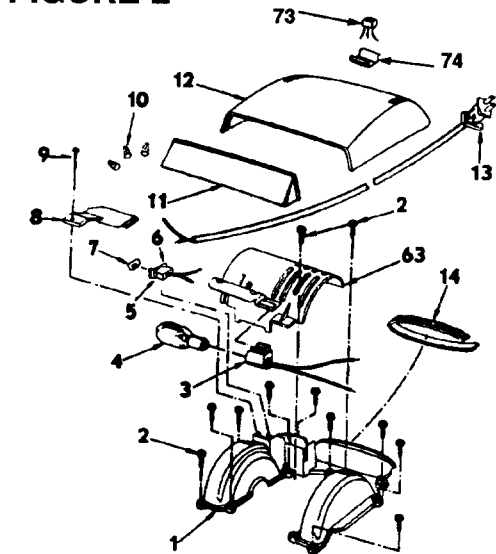


Models: SST-007 / SST-100 / SST-100B / SST-100D / SST-100F / SST-200 / SST-200B / SST-200D / SST-200F
 SST-225 / SST-300 / SST-300A / SST-300B / SST-300C / SST-300E / SST-315 / SST-450 / SST-450A / SST-450B

FIGURE 2



SST100/B/D/F

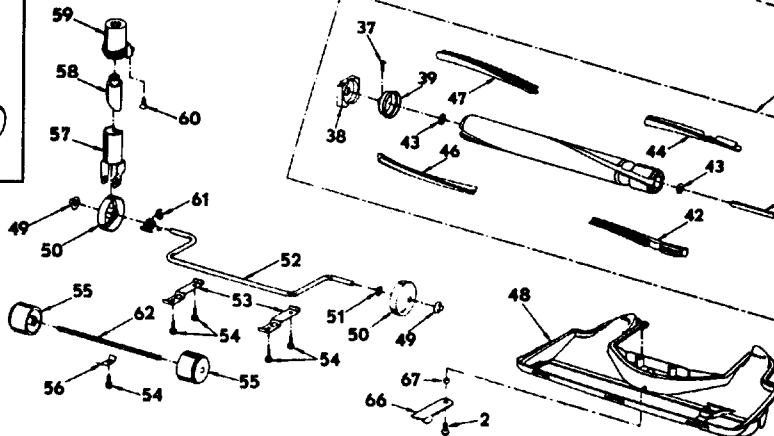
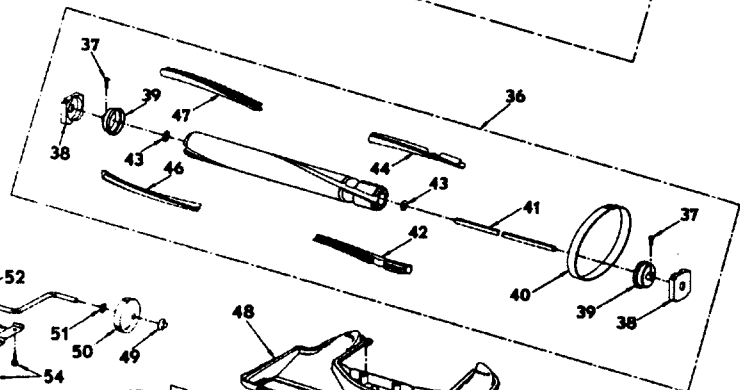
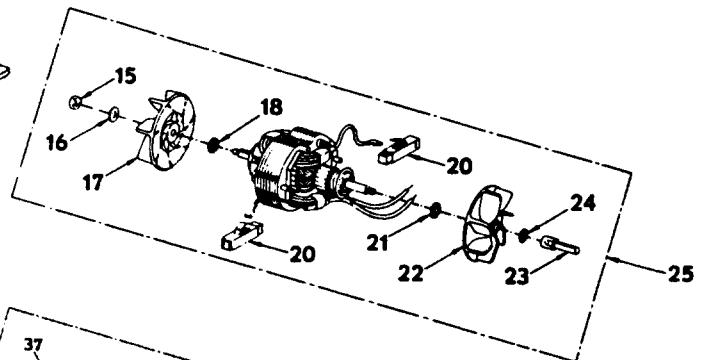
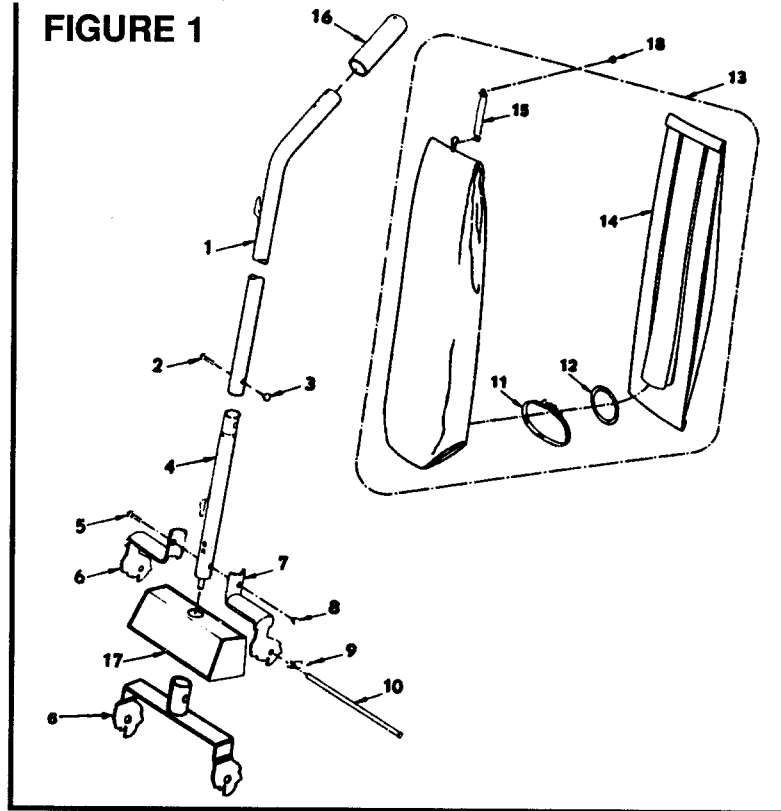


FIGURE 1



Models: SST-007 / SST-100 / SST-100B / SST-100D / SST-100F / SST-200 / SST-200B / SST-200D / SST-200F
 SST-225 / SST-300 / SST-300A / SST-300B / SST-300C / SST-300E / SST-315 / SST-450 / SST-450A / SST-450B

FIGURE 1

- 1 BI-5551848 Upper Handle Tube, 100/B/D/F 007
- 1 N/A Upper Handle Tube, w/ #16, SST200/B
- 1 BI-5550803 Upper Handle Tube, w/ #16, 200D/F
- 1 N/A Upper Handle Tube, SST300/A/B/C
- 1 N/A Upper Handle Tube, SST450/A/B
- 1 SI-643039020 Upper Handle Tube, SST300
- 1 N/A Upper Handle Tube, SST300E
- 1 BI-5550807 Upper Handle Tube, SST315
- 1 BI-5551851 Upper Handle Assy, SST225
- 2 BI-8807218 Handle Tube Screw, SST100/B
- 2 BI-5550065 Handle Tube Screw, SST100D/F-200D/F-300B/C-450/A/B - 007/300E
- 2 BI-5550060 Handle Tube Screw, SST300/A
- 2 BI-5550803 Handle Screw, SST225
- 2 BI-5550065 Handle Screw, SST315
- 3 BI-5551601 T Nut, SST100/B-200/B-300
- 3 BI-5552724 T Nut, SST100D/F-200D/F-300A/B/C-450/A/B-007/225/300E/315
- 4 BI-5550773 Lower Handle Tube, 100/B/D-200/B/D
- 4 BI-5550783 Lower Handle Tube, 100F/200F/007/225/300E
- 4 N/A Lower Handle Tube, SST300/A-450
- 4 N/A Lower Handle Tube, 300B/C-450A/B
- 4 N/A Lower Handle Tube, SST315
- 5 BI-5550060 Hdle Tube Screw, 100/B/D-200D-450
- 5 BI-5550065 Hdle Tube Screw, SST100F-300A/B/C-450A/B-007/300E
- 5 BI-8807218 Screw, SST200/B-300
- 5 BI-5550065 Screw, SST315
- 6 BI-5552485 Bifurcated Handle Support, right, SST100/B-200/B-300
- 6 BI-5552485 Bifurcated Handle Support, right, SST100D/F-200D-300A-450
- 6 BI-5553120 Handle Support Assy, SST100F-200F-300B/C-450A/B - 225/300E
- 6 N/A Handle Support Assy, SST007
- 6 N/A Handle Support Assy, SST315
- 7 BI-5553120 Bifurcated Handle Support, left, SST100/B-200/B-300
- 7 BI-5553120 Bifurcated Handle Support, left, SST100D/F-200D-300A-450
- 8 BI-5551601 T Nut, SST100/B-200/B-300
- 8 BI-5552724 T Nut, SST100D/F-200D/F-300A/B/C-450/A/B-007/300E/315
- 9 BI-7108436 Pedal Tension Spring
- 10 BI-7100123 Trunnion Arm Shaft
- 11 BI-5550410 Dust Bag Strap Assy
- 12 BI-5554606 Garter Spring
- 13 BI-5550209 Dust Bag Assy, 007-100/B/D/F-200/B
- 13 N/A Dust Bag Assy, SST225
- 13 BI-5550245 Dust Bag Assy, SST315
- 13 BI-5550214 Dust Bag Assy, w/ #11,12,14,15, SST200D/F
- 13 BI-5550214 Dust Bag Assy, 300/A/B/C/E-450/A/B
- 14 BI-32025 Disposable Dust Bag, pkg of 3, SUB-1
- 15 BI-5550194 Bag Tension Spring
- 15 BI-5551101 Bag Tension Spring, SST225
- 15 BI-5550194 Bag Tension Spring, SST315

- 16 N/A Handle Grip, SST200/B/D/F-300/A/B/C-450/A/B-SST300E
- 16 N/A Handle Grip, SST225
- 16 BI-5550818 Handle Grip, SST315
- 17 BI-5551018 Handle Support Cover, w/ label, 300
- 17 N/A Handle Support Cover, w/ label, SST300A/B/C-450/A/B - SST300E
- 17 SI-660536002 Handle Support Cover, SST315
- 18 BI-5550493 Screw, bag tension, SST300/A/B/C-450/A/B - SST300E
- BI-5550195 Wood Dowel, SST315

FIGURE 2

- 1 N/A Blower Cover, w/ gasket, SST007, 100B/D/F-450
- 1 BI-5550137 Blower Cover, w/ gasket, SST300/A/B SST225/315
- 1 BI-5550137 Blower Cover, w/ gasket, SST300C/E-450A/B
- 2 BI-8807203 Screw
- 3 BI-5554642 Light Socket, SST200/B/D/F-300/A/B/C
- 3 BI-5551840 Light Socket, SST300E/315
- 4 BI-7101400 Light Bulb, SST200/B/D/F-300/A/B/C
- 4 BI-5559069 Light Bulb, SST300E/315
- 5 BI-5550455 Switch, on-off
- 6 N/A Dust Shield, rubber
- 7 BI-5550796 Dust Shield, Mylar
- 8 BI-5550809 Wiring Cover
- 9 N/A Screw, wiring cover
- 10 BI-7102650 Wire Nut, (3)
- 11 BI-5550057 Lens, SST100/B/D/F
- 11 N/A Lens, SST200/B/D/F
- 11 BI-7135511 Lens, 300/A/B/C/E-315-450/A/B
- 11 BI-5550129 Face Plate, SST007/225
- 12 N/A Top Cover, w/ #7, SST100/B/D/F
- 12 N/A Top Cover, SST007
- 12 N/A Top Cover, SST225
- 12 BI-5554630 Top Cover Assy, SST315
- 12 N/A Top Cover Assy, w/#11, SST200/B/D/F-300/A/B/C/E
- 12 BI-5554616 Top Cover Assy, w/ lens, switch & bracket, SST450/A/B
- 13 N/A Power Cord, SST100/B/D/F
- 13 N/A Power Cord, SST200/B
- 13 BI-5550041 Power Cord, SST200D/F
- 13 N/A Power Cord, SST300
- 13 N/A Power Cord, 300A/B/C/E-450/A/B-225
- 13 BI-5552644 Power Cord, SST315
- 14 BI-5554691 Gasket, bag assembly
- 15 BI-5550309 Nut
- 16 BI-2809064 Washer, fan, right
- 17 BI-5551006 Suction Fan Kit, right, w/ #16 & 18
- 18 N/A Shoulder Washer, right
- 20 N/A Carbon Brush Assy, set of 2, SST100/B
- 20 BI-5550749 Carbon Brush Assy, set of 2, SST100D/F-200/B/D/F-300A/B/C-450/A/B
- 21 N/A Shoulder Washer, left

Models: SST-007 / SST-100 / SST-100B / SST-100D / SST-100F / SST-200 / SST-200B / SST-200D / SST-200F
 SST-225 / SST-300 / SST-300A / SST-300B / SST-300C / SST-300E / SST-315 / SST-450 / SST-450A / SST-450B

21 N/A	Shoulder Washer, left	52 BI-7100121	Shaft, rear wheel, SST200/B/D/F-300/A/B/C/E-315-450/A/B
21 BI-8809063	Shoulder Washer, left, SST315	52 N/A	Rear Axle, SST225
22 BI-5551005	Suction Fan Kit, w/#21 & 24	53 BI-7106908	Retaining Plate, SST007-100/B/D/F
23 BI-5550436	Pulley	53 BI-5550580	Retaining Plate, SST200/B/D/F-225-300/A/B/C/E-315-450/A/B
24 BI-2809062	Washer, fan, left	54 BI-8807035	Screw
25 BI-5552799	Motor, complete, SST007	55 BI-5550343	Wheel, front, (2)
25 N/A	Motor, complete, SST100/B-200/B	56 BI-7106908	Axle Retainer
25 BI-5552789	Motor, complete, 100D/F-200D/300A/B	57 BI-7135712	Wheel Bracket & Slide Assy, SST200/B/D/F-300/A/B/C/E-315
25 BI-5552794	Motor Assy, SST225	58 BI-7135713	Intermediate Slide, 200/B/D/F-300/A/B/C/E-315
25 N/A	Motor, complete, SST300	59 BI-5550906	Ratchet Lock, 200/B/D/F-300/A/B/C/E
25 BI-5552794	Motor, complete, SST300C	59 N/A	Ratchet Lock, SST315
25 BI-5552790	Motor, complete, series "D" SST450/A/B	60 BI-8807203	Screw, SST007-200/B/D/F-300/A/B/C
26 BI-5551382	Screw, brush hold down, (2)	61 BI-7108435	Torsion Spring, 200/B/D/F-300/A/B/C/E-315
27 BI-5550900	Screw, 200/B/D/F-300/A/B/C-450/A/B	62 N/A	Axle, front
27 BI-5550900	Screw, SST300E/315	63 BI-7132949	Motor Cover, SST100/B/D/F
28 N/A	Height Adj Knob, 200/B/D/F-300C-450/A	63 BI-5551891	Motor Cover, w/ light bracket, 007-200/B/D/F-225-300/A/B/C-450/A/B
28 N/A	Height Adj Knob, 300/A/B/E-450B	63 N/A	Motor Cover, w/ light bracket, 300E-315
28 N/A	Height Adj Knob, SST315	64 N/A	Chassis, w/ bumper, SST007-300E
29 N/A	Chassis w/Motor Module Assy, w/ #12,14,63,65,25, SST100/B/D/F	64 SI-644097015	Chassis, w/ bumper, SST100/B/D/F
29 N/A	Chassis w/ Motor Module, SST007	64 N/A	Chassis, w/ bumper, SST225
29 N/A	Chassis w/Motor Module, 200/B/D/F	64 N/A	Chassis, w/ bumper, SST200/B/D/F-300/A/B-450
29 BI-5552774	Chassis w/ Motor Module, SST225	64 N/A	Chassis, w/ bumper, SST300C-450A/B
29 N/A	Chassis w/Motor Module, 300/A/B	64 N/A	Chassis, w/ bumper, SST315
29 N/A	Chassis w/Motor Module, 300C	65 BI-5551024	Bumper, SST100/B
29 N/A	Chassis w/ Motor Module, SST300E	65 BI-5551431	Bumper, SST225
29 N/A	Chassis w/ Motor Module, SST315	65 N/A	Bumper, SST100D/F
29 BI-5552745	Chassis w/Motor Module, 450/A	65 N/A	Bumper, 007-200/B/D/F-300/A/B/C/E-450/A/B
29 SI-660534029	Chassis w/Motor Module, 450B	65 N/A	Bumper, SST315
30 BI-5550008	Screw, top cover, (2)	66 N/A	Access Plate Latch, (2)
31 BI-5550713	Rivet, SST100/B	67 BI-5550172	Spacer, (2)
31 BI-8806140	Rivet, 007-100D/F-200B/D/F-300/A/B/C/E-315-450/A/B	68 N/A	Elevating Cam Lever, SST100/B/D/F
32 BI-7106904	Pedal, shaft retainer	69 BI-5550172	Spacer, ht adj, SST100/B/D/F
33 BI-5550409	Pedal Boot	70 N/A	Wheel and Cam Retaining Plate, SST007-100/B/D/F
33 BI-5550409	Pedal Boot, SST007	71 BI-8807035	Screw, SST100/B/D/F
33 N/A	Pedal Boot, SST315	72 BI-8807203	Screw, SST100/B/D/F
34 BI-5550762	Pedal, handle release	73 BI-5550831	Switch, hi-lo, SST450/A/B
35 BI-7100122	Pedal Shaft	74 N/A	Switch Bracket, SST450/A/B
36 BI-5550489	Floor Brush Assy	ITEMS NOT ILLUSTRATED	
36 BI-5550489	Floor Brush Assy, SST300E/315	BI-8807203	Access Plate Screw, (3), 007-100/B/D/F
37 N/A	Screw, (2)	BI-5551341	Ferrule, (2), floor brush, 007-200/B/D/F
37 N/A	Screw, SST225/300E/315	N/A	Height Adj Decal, SST100D/F
38 BI-5550394	End Cap, (2)	SI-643756001	Tension Spring, base, SST225
39 N/A	Cup, (2)	BI-8807035	Screw, tension spring plate, SST225
39 N/A	Cup, (2), SST315	N/A	Locking Plate, SST225
40 BI-32026	Drive Belt, SDB-2, pkg of 2, SST100/B/D/F-450/A/B	BI-5550572	Height Indicator, SST225
40 BI-32026	Belt, SST200/B/D/F-300/A/B/C	N/A	Adjustment Lever, SST225
41 SI-644539002	Shaft, 100/B/D/F-200/B/D/F-225-300/ABC	BI-5551382	Carbon Brush Retainer Screw, SST225
41 SI-644539002	Shaft, SST300E-315-450/A/B		
42 N/A	Bristle Assy, belt side		
43 BI-5554564	Washer		
44 BI-5550417	Beater Bar, belt side		
46 BI-5550416	Beater Bar, right		
47 BI-5550419	Bristle Assy, right		
48 BI-5550661	Access Plate, w/ gasket		
49 BI-5554640	Push Nut, (2)		
50 BI-5554645	Wheel, (2)		
51 BI-5554561	Washer, (2)		
52 N/A	Shaft, rear wheel, SST007-100/B/D/F		

ITEMS NOT ILLUSTRATED

BI-8807203	Access Plate Screw, (3), 007-100/B/D/F
BI-5551341	Ferrule, (2), floor brush, 007-200/B/D/F
N/A	Height Adj Decal, SST100D/F
SI-643756001	Tension Spring, base, SST225
BI-8807035	Screw, tension spring plate, SST225
N/A	Locking Plate, SST225
BI-5550572	Height Indicator, SST225
N/A	Adjustment Lever, SST225
BI-5551382	Carbon Brush Retainer Screw, SST225