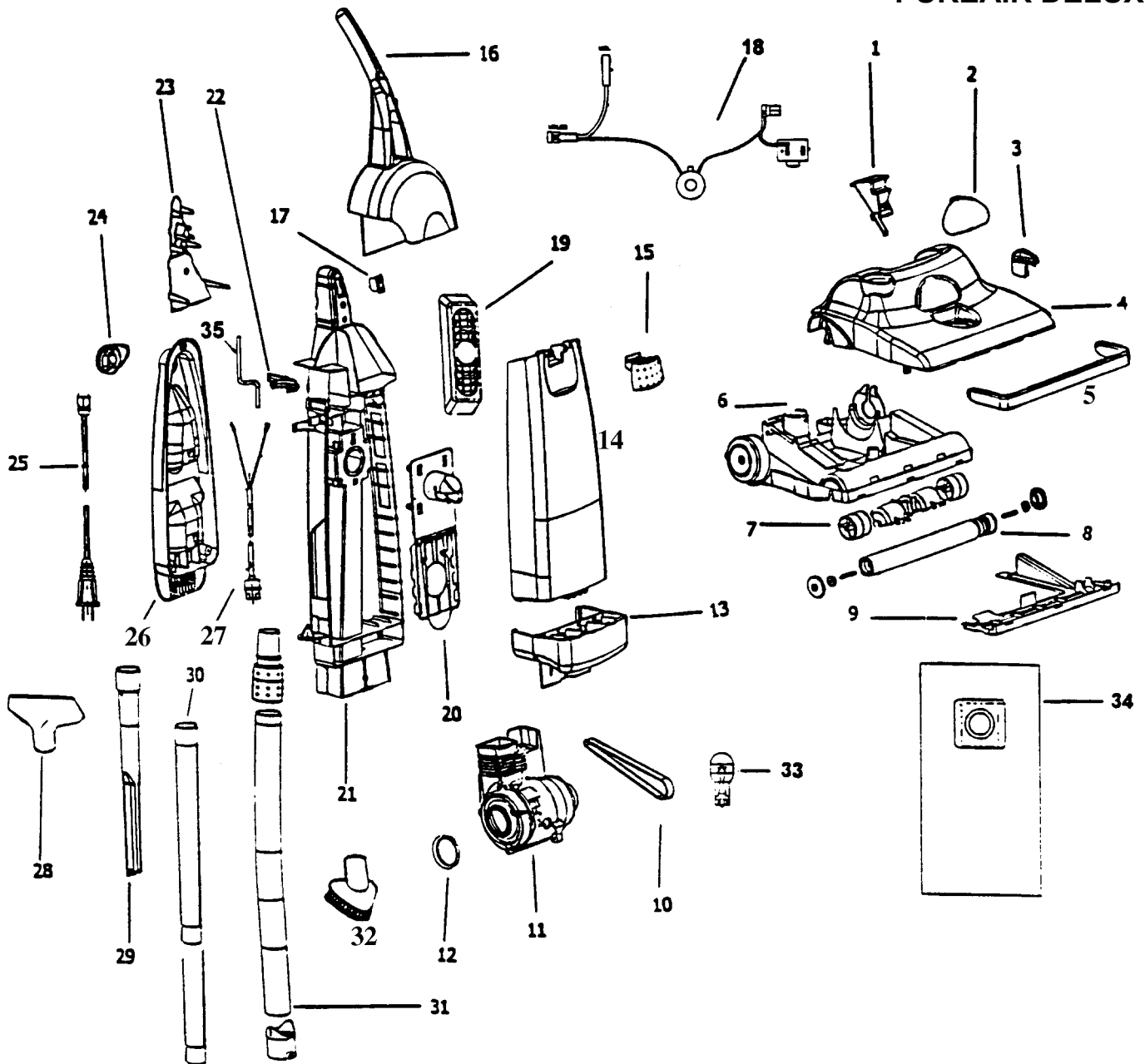


BISSELL

MODEL: 3541, 3541P

Uprights

PUREAIR DELUXE



- | | | |
|--|---|--|
| 1.....BI-2133765.....Foot Pedal | 14.....BI-3143705.....Bag Door Assy, w/ latch, 3541 | 25.....BI-0103041.....Power Cord, 35 ft, 3541 |
| 2.....BI-0133716.....Lens | 14.....BI-0143701.....Bag Door Assy, w/ latch, 3541-P | 25.....BI-0103039.....Power Cord, 30 ft, 3541P |
| 3.....N/A.....Height Adjustment Knob | 15.....BI-0133732.....Latch, bag door | 26.....BI-3143711.....Carrying Handle Assy |
| 4.....BI-0143708.....Cover Assy, w/ lens | 16.....BI-3143721.....Handle Assy, upper | 27.....N/A.....Wiring Harness, w/ strain relief |
| 5.....BI-5555366.....Bumper, 3541 | 17.....BI-7108621.....Switch | 28.....BI-2109179.....Upholstery Tool |
| 5.....BI-0133739.....Bumper, 3541P | 18.....BI-0108600.....Electronics Harness | 29.....NLA.....Crevice Tool |
| 6.....BI-5555366.....Base Assy, w/ rear wheels | 19.....BI-3103538.....Exhaust Filter, 3M filtrate | 30.....BI-2109664.....Wand |
| 7.....BI-0143740.....Front Wheel Assy | 20.....NLA.....Bag Retainer | 31.....BI-2104653.....Hose |
| 8.....BI-2141165.....Brush Assy, complete | 21.....BI-3143744.....Fill Tube | 32.....BI-2101162.....Dusting Brush |
| 9.....NLA.....Access Plate | 22.....BI-2133749.....Hose Clip, old style, single | 33.....BI-5559069.....Light Bulb |
| 10.....BI-32034.....Belt, 2 pk | 22.....BI-2133749.....Hose Clip, new style, double | 34.....BI-0100265.....Filter Bag, 3M. filtrate, single |
| 11.....BI-0106011.....Motor Assy, complete | 23.....BI-3133747.....Control Panel Cover | 34.....BI-32029.....Filter Bag, 3M. filtrate, 2pk |
| 12.....BI-5559263.....Seal, motor intake | 24.....BI-0133722.....Cord Wrap | 35.....BI-0139470.....Tube, full bag indicator |
| 13.....BI-0143700.....Stair Handle | | |

PHONE: 1-800-VAC-SHOP FAX: 847-647-0534 E-MAIL: sales@hescoinc.com WEB: hescoinc.com