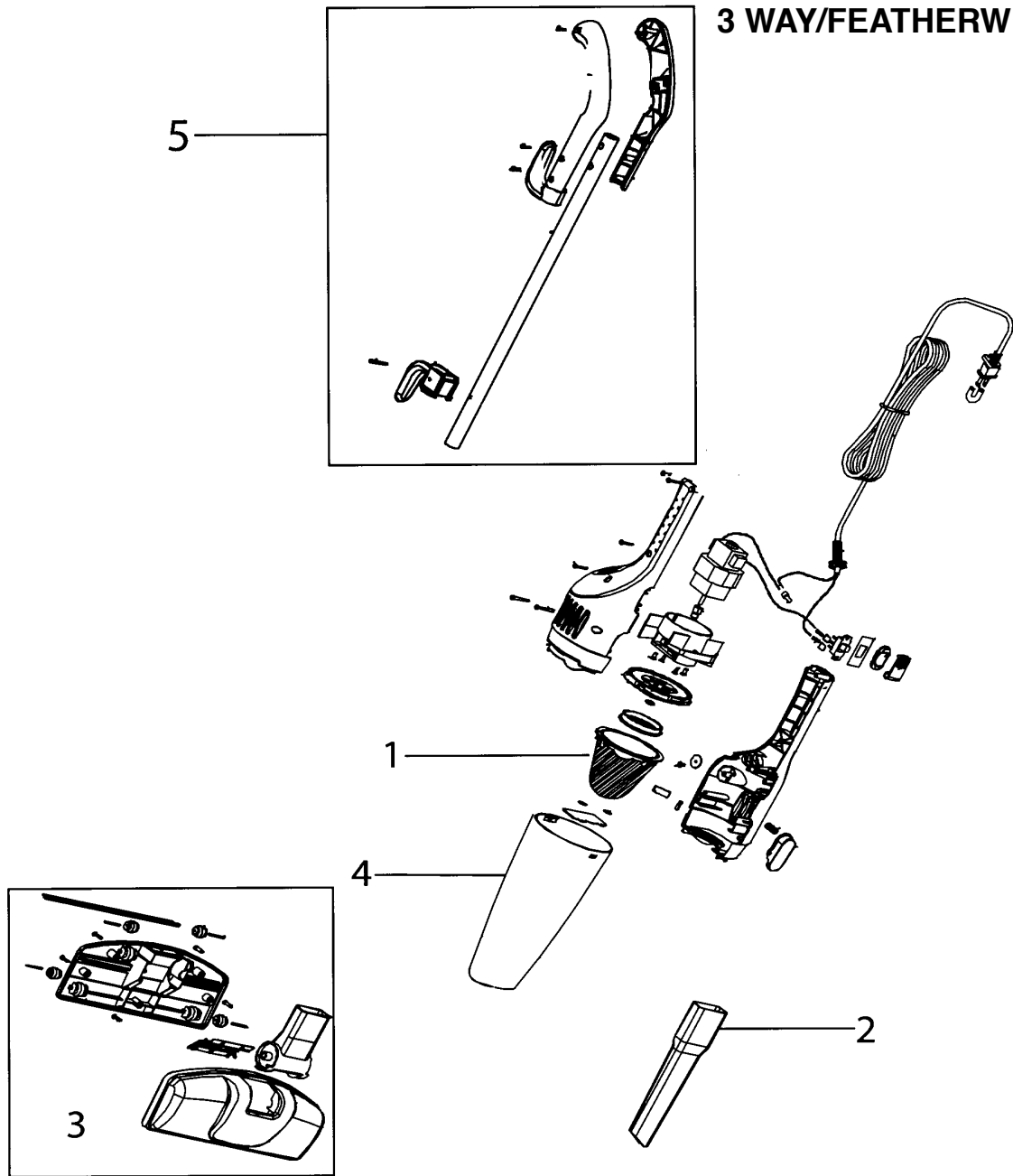


3 WAY/FEATHERWEIGHT



Index	Part No.	Description
1	BI-32019	Filter
2	BI-2032202	Crevice tool - midnight
2	BI-2032206	Crevice tool - storm blue
2	BI-2031104	Crevice tool - 3106-N
3	BI-2032203	Floor nozzle - midnight
3	BI-2032207	Floor nozzle - storm blue
3	BI-2031120	Floor nozzle - 3106-N
4	BI-2032204	Dirt container - Midnight
4	BI-2032208	Dirt container - Storm blue
4	BI-2031124	Dirt container - 3106-N
5	BI-2032205	Handle - midnight
5	BI-2032209	Handle - storm blue
5	BI-2031125	Handle - 3106-N