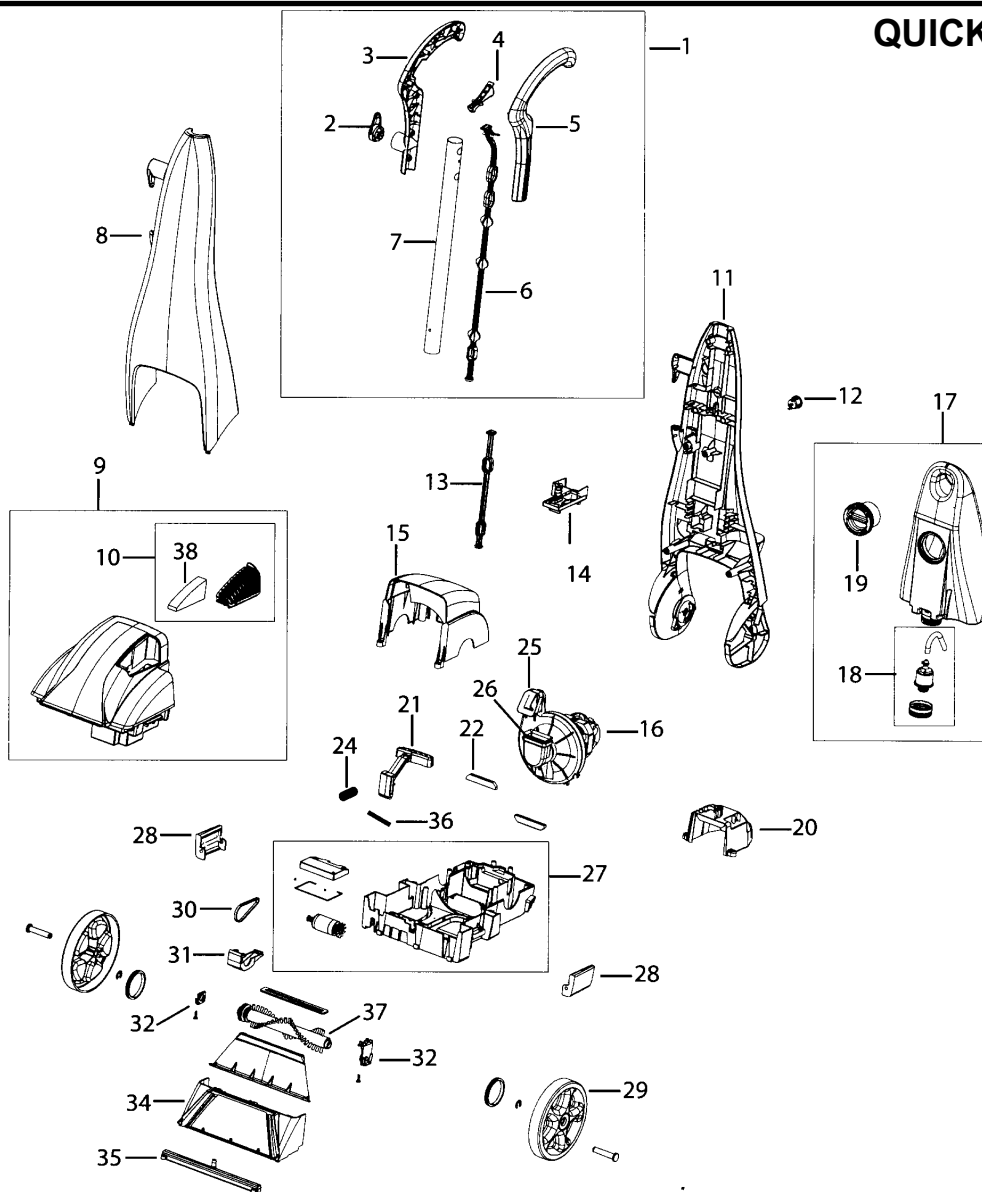


# BISSELL

# Lightweight Deep Cleaner

MODEL: 2050

QUICKSTEAMER



Index	Part No.	Description
1	BI-6032010	Handle assembly with cord strap
2	BI-2041107	Cord wrap
3	BI-2041104	Handle - right side
4	BI-2041103	Trigger
5	BI-2041108	Handle - left side
6	BI-2041106	Push rod - upper
7	BI-2041127	Tubing
8	BI-2041102	Handle, lowe front
9	BI-6032008	Dirty water tank
10	BI-2041124	Exhaust vent panel with filter
11	BI-2041109	Handle, lower back
12	BI-2041128	On/off switch
13	BI-2041110	Push rod - lower
14	BI-2041126	Receiver assembly
15	BI-2041125	Rear cover
16	BI-2041123	Complete motor assembly
17	NLA	Clean water tank assembly
18	BI-2041111	Cap and insert
19	BI-2041112	Formula measuring cup

Index	Part No.	Description
20	BI-2041113	Motor cover
21	BI-2041114	Detent lever
22	BI-0106357	Rear motor support
24	N/A	Spring detent
25	BI-6037825	Motor outlet gasket
26	BI-2041122	Motor intake gasket
27	BI-2041117	Base assembly with brush motor
28	BI-2041116	Tank latches- two
29	BI-2041121	Wheel
30	NLA	Brush belt
31	BI-2041131	Brush cover
32	BI-2041130	Brush support bushing - right and left
34	BI-2041120	Front nozzle assembly
35	BI-2041118	Spray bar
36	BI-2041115	Metal detent dowel
37	BI-6032006	Brush assembly
38	BI-6037824	Foam filter
	BI-2041129	Power cord
	BI-2806301	Handle screw